

Technical specification/

Technische Daten:

| | |
|---|--|
| Rated Voltage/ Bemessungsspannung: IEC 60664-1 | 300 V AC / 300 V DC |
| Overvoltage category/ Überspannungskategorie: IEC 60664-1 | 2 |
| Overvoltage/ Bemessungsstoßspannung: IEC 60664-1 | 2,7 kV |
| Current rating/ Strombelastbarkeit: IEC 60512-3 | at/ bei 40 °C 0,75 mm ² : 8 A 1,50 mm ² : 12 A |
| Insulation resistance/ Isolationswiderstand: IEC 60512 | >=100 MΩ |
| Pollution degree/ Verschmutzungsgrad: IEC 60664-1 | 3/2 |
| Degree of protection/ Schutzart: IEC 60529 | IP 68, in mated condition/ im verschraubten Zustand |
| Temperature range/ Umgebungstemperatur: | -25 °C ... +80 °C |
| Mating cycles/ Steckzyklen: IEC 60512-9a | >=100 |
| Termination/ Anschlussart: | crimped/ gecrimpt |

Cable specification/

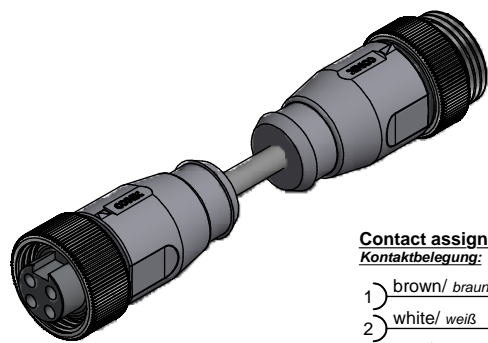
Kabeleigenschaften:

| | |
|--|-------------------|
| Temperature range/ Umgebungstemperatur: | -25 °C ... +80 °C |
|--|-------------------|

Materials/

Werkstoffe:

| | |
|--|------------------------------|
| Contact/ Kontakt: | CuZn, Ni, Au gal. |
| Contact carrier/ Kontakträger: | TPU, UL 94 HB |
| Coupling nut/ screw/ Überwurfmutter/ -schraube: | CuZn, Ni |
| Moulding body/ Griffkörper: | TPU, UL 94 HB, grey/ grau |



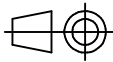
**Contact assignment/
 Kontaktbelegung:**

- 1) brown/ braun
- 2) white/ weiß
- 3) blue/ blau
- 4) black/ schwarz

| Part no/ Art.-Nr.: | Description/ Bezeichnung: | Length L/ Länge L: | Cable/ Kabel: |
|-----------------------|--|-----------------------|---|
| 41-01209 | SAL - 7/8 - RK4 - RS4 - 0,6 / A3 | 0,6 m | PVC, UL 2464, grey/ grau, 4x0,75 mm ² , LiYY Cable/ Kabel: 781-A37400 |
| 41-01210 | SAL - 7/8 - RK4 - RS4 - 1 / A3 | 1 m | |
| 41-01211 | SAL - 7/8 - RK4 - RS4 - 1,5 / A3 | 1,5 m | |
| 41-01212 | SAL - 7/8 - RK4 - RS4 - 2 / A3 | 2 m | |
| 41-xxxxx | SAL - 7/8 - RK4 - RS4 - ... / A3 | x | |
| 41-01257 | SAL - 7/8 - RK4 - RS4 - 0,6 / A3 / 150 | 0,6 m | PVC, UL 2464, grey/ grau, 4x1,50 mm ² , LiYY Cable/ Kabel: 781-A38400 |
| 41-01258 | SAL - 7/8 - RK4 - RS4 - 1 / A3 / 150 | 1 m | |
| 41-01259 | SAL - 7/8 - RK4 - RS4 - 1,5 / A3 / 150 | 1,5 m | |
| 41-01260 | SAL - 7/8 - RK4 - RS4 - 2 / A3 / 150 | 2 m | |
| 41-xxxxx | SAL - 7/8 - RK4 - RS4 - ... / A3 / 150 | x | |

tolerance of cable/
 Kabeltoleranz: L <= 4 m: L + 40 mm
 L > 4 m: L + 1 %

general tolerance/
 Allgemeintoleranz: 0 ± 0,50 mm
 0,0 ± 0,25 mm
 0,00 ± 0,10 mm
 * ± 5°



dim. in mm

Connecting cable 7/8", female connector
 axial - male connector axial

Verbindungsleitung 7/8",
 Kupplung axial - Stecker axial

Index: d Ä21-0343 08.09.21 RBÖ

scale/Maßstab:



dwg no /
 Z.-nr.:

41K1A359

DIN-
 A4

RoHS compliant/konform

1 / 1