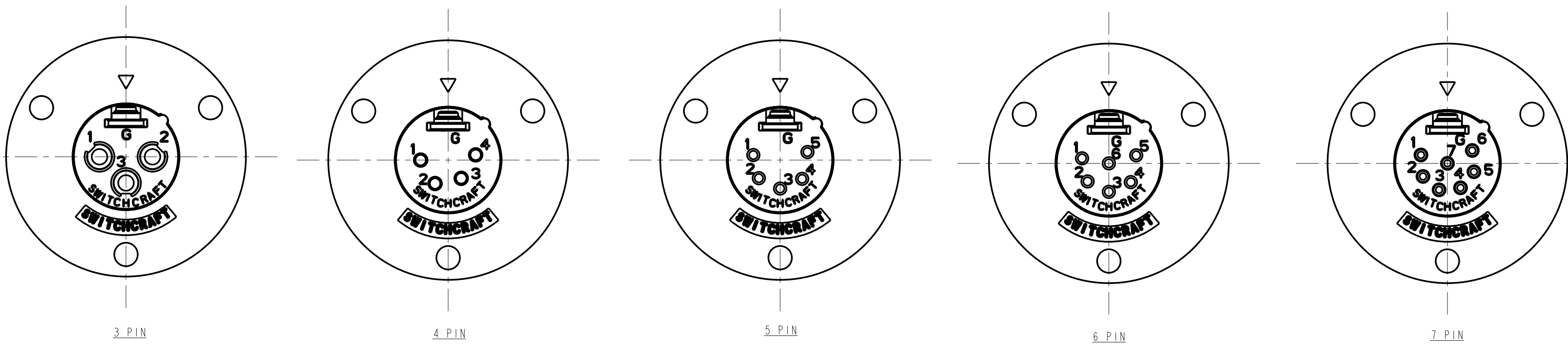


8 7 6 5 4 3 2 1



3 PIN

4 PIN

5 PIN

6 PIN

7 PIN

STANDARD SERIES

SCREW - STAINLESS STEEL
 HOUSING - ZINK, NICKEL PLATED
 SOLDER TERMINAL - BRASS, ELECTROTIN PLATED
 INSULATOR - POLYESTER, GREEN (UL94V-0)
 CONTACT PIN - BRASS, SILVER PLATED

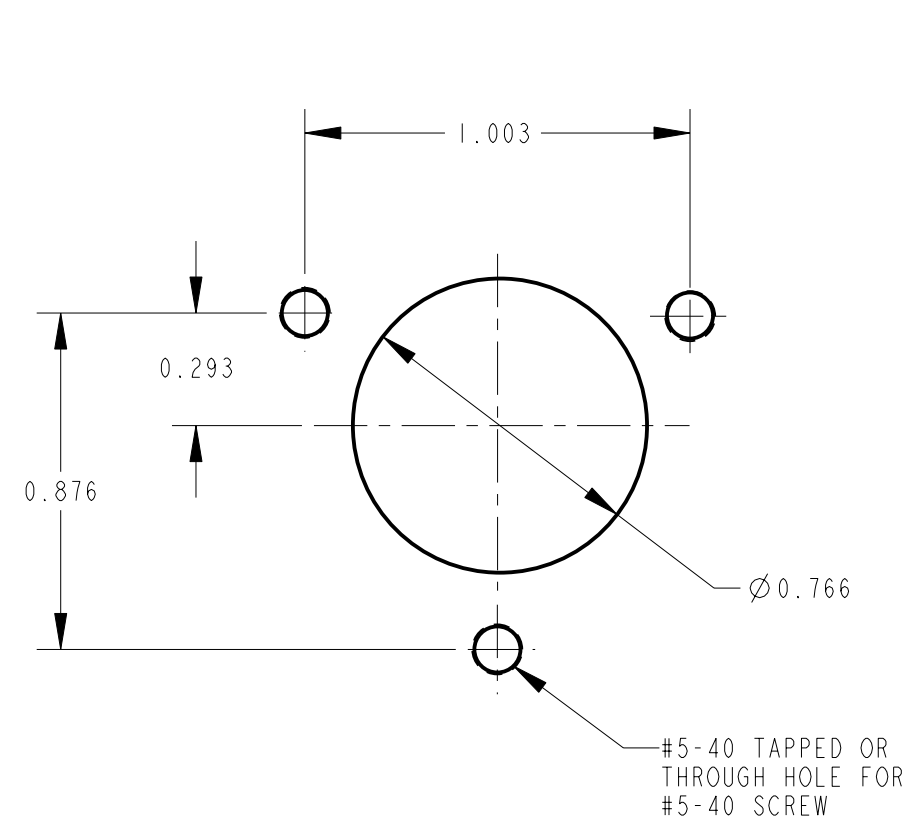
C - M
 CONTACT PLATING
 BLANK = SILVER (STANDARD)
 AU = GOLD
 HOUSING FINISH
 BLANK = NICKEL PLATE (STANDARD)
 B = BLACK
 NO. OF CONTACTS:
 3 = 3 CONTACTS
 4 = 4 CONTACTS
 5 = 5 CONTACTS
 6 = 6 CONTACTS
 7 = 7 CONTACTS

PROFESSIONAL SERIES

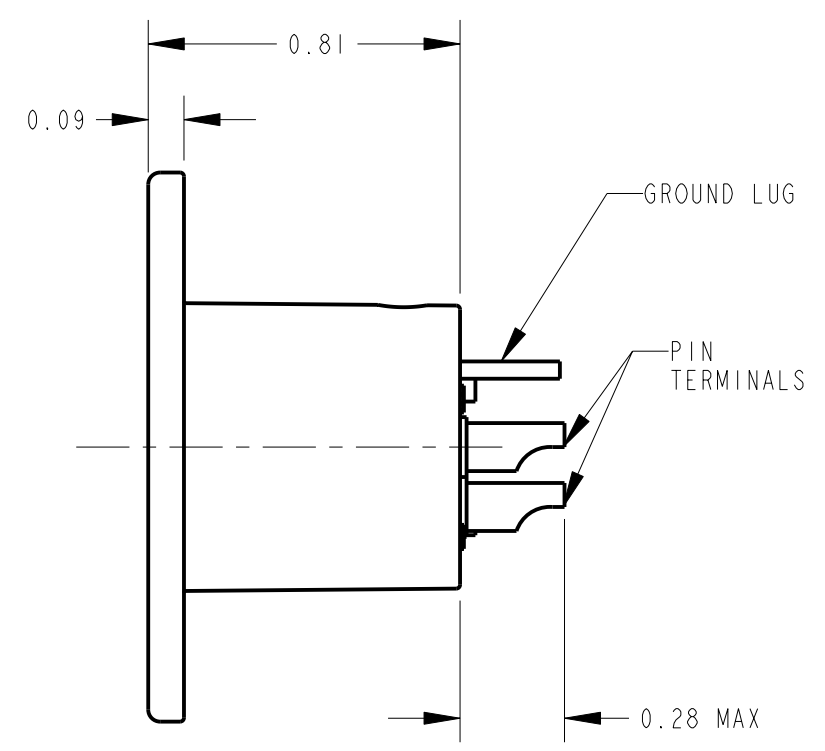
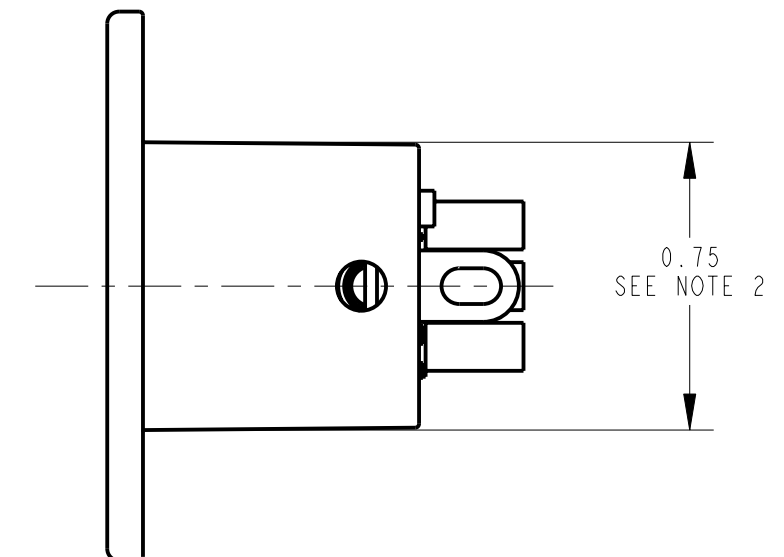
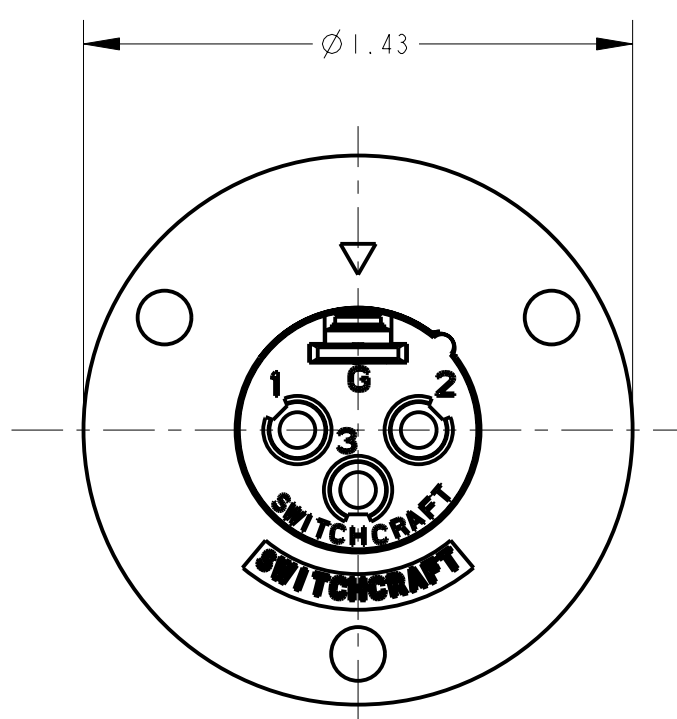
SAME AS ABOVE EXCEPT
 CONTACT PIN - PHOSPHOR BRONZE, GOLD OVER NICKEL

QGP - 27
 NO. OF CONTACTS:
 3 = 3 CONTACTS
 4 = 4 CONTACTS
 5 = 5 CONTACTS
 6 = 6 CONTACTS
 7 = 7 CONTACTS

NOTE:
 1. ALL DIMENSIONS ARE REFERENCE, UNLESS OTHERWISE SPECIFIED.



RECOMMENDED
 PANEL CUT-OUT



CUSTOMER DRAWING

G	21136	2-3-97	MM	RB	☆ STAR SYMBOL DENOTES CRITICAL DIMENSION UNLESS OTHERWISE SPECIFIED 1. ALL DIMENSIONS IN INCHES - TWO PLACE DECIMALS ±0.01 - THREE PLACE DECIMALS ±0.005 - ANGLES ±1° - ALL DIA. CONCENTRIC WITHIN 0.005 T.I.R. 2. FEATURES ON THE SAME CENTERLINE MUST BE ALIGNED WITHIN ±0.002 3. REMOVE ALL BURRS DO NOT SCALE DRAWING	THIS DRAWING DESCRIBES A DESIGN CONSIDERED PROPRIETARY IN NATURE, DEVELOPED AND MANUFACTURED BY SWITCHCRAFT INC. AND IS RELEASED ON A CONFIDENTIAL BASIS FOR IDENTIFICATION PURPOSES ONLY.				
F	21070	2-3-97	MM	RB		SIZE	WIDTH	MULT	LBS/M	TEMPER
E	21035	2-3-97	MM	RB		FINISH	MATERIAL SPEC No.			
D	20627	1-20-96	SG	SG		FIRST USED ON	SCALE 2:1			
C	20534	12-9-95	SG	RB		DATE DRAWN	BY	CHKD	APVD	Switchcraft SHEET OF PART No. REV
H	22838	9-30-99	JL	DG	8-10-94	SG	SG	8-10-94	GHJ	
REV	ECO NUMBER	DATE	BY	APVD	NAME C SERIES MALE QG					PART No. C_M SERIES REV H

8 7 6 5 4 3 2 1