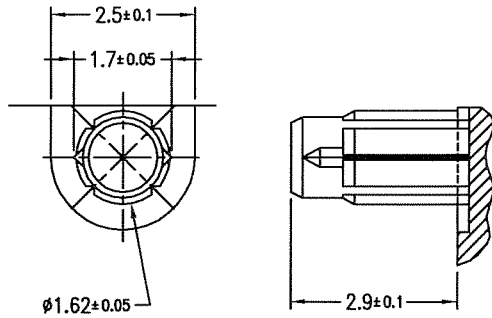
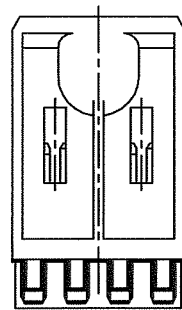
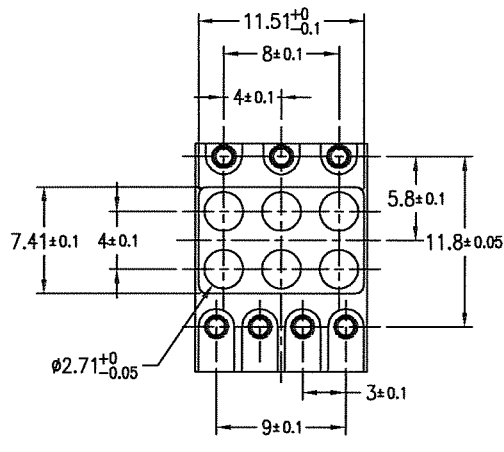
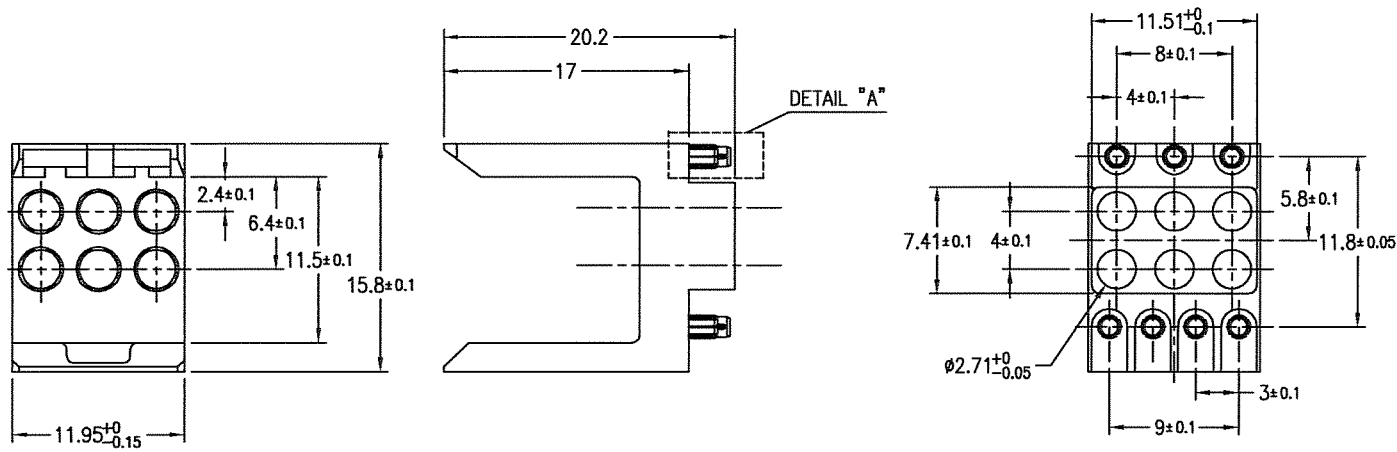
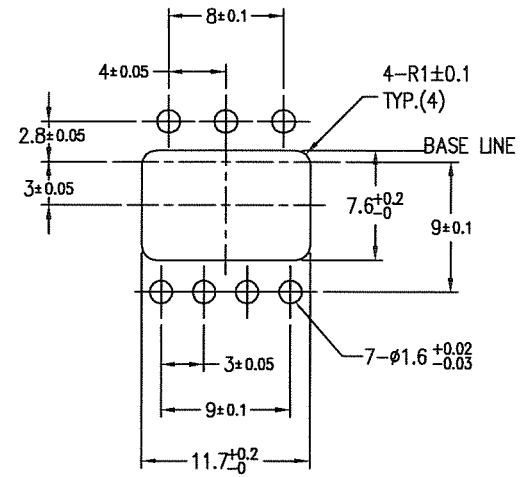


PRODUCT NO.

95313-001



DETAIL "A"
S=16/1



RECOMMENDED FOOT PATTERN



FCIconnect.com

Copyright FCI.

mat'l. code				surface		tolerance		projection		product family		CODE	
---				ISO 1302		ISO 406		⊕		METRAL		JP	
				tolerances unless otherwise specified		linear		MM		title			
A RELEASED J70270 M.N 9/18/97				0.X ±0.2						MINI COAX HOUSING			
B REVISED J07-0030 S.O 1/18/07				0.XX ±0.2						dwg no sheet 1 of 1 size			
				0.XXX ±0.2		scale 2:1				95313 A4			
				dr M.NAGASE 9/18/97						type Customer Drawing			
				enrg S.OKUDAIRA 1/18/07						Rev. B			
				chr K. Zhou 1/18/07									
				appd J. Zhou 1/18/07									
sheet index		revision sheet											