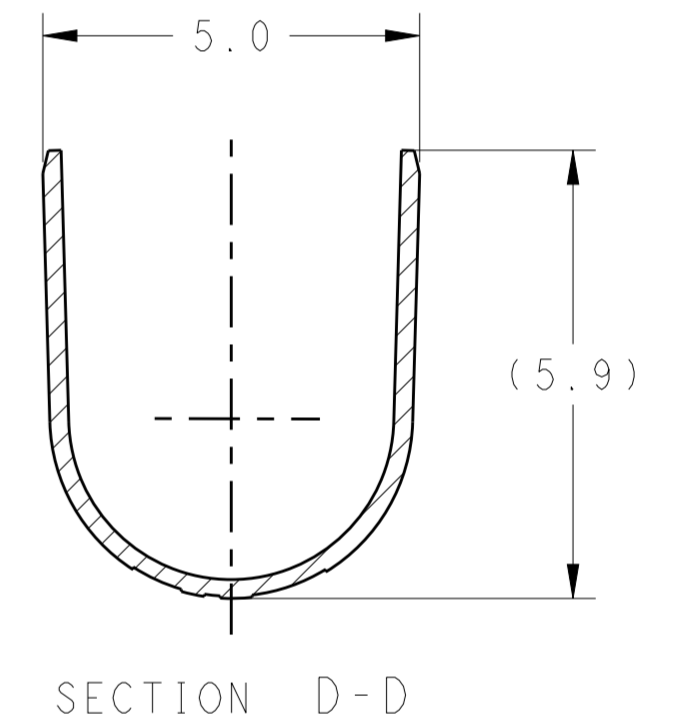
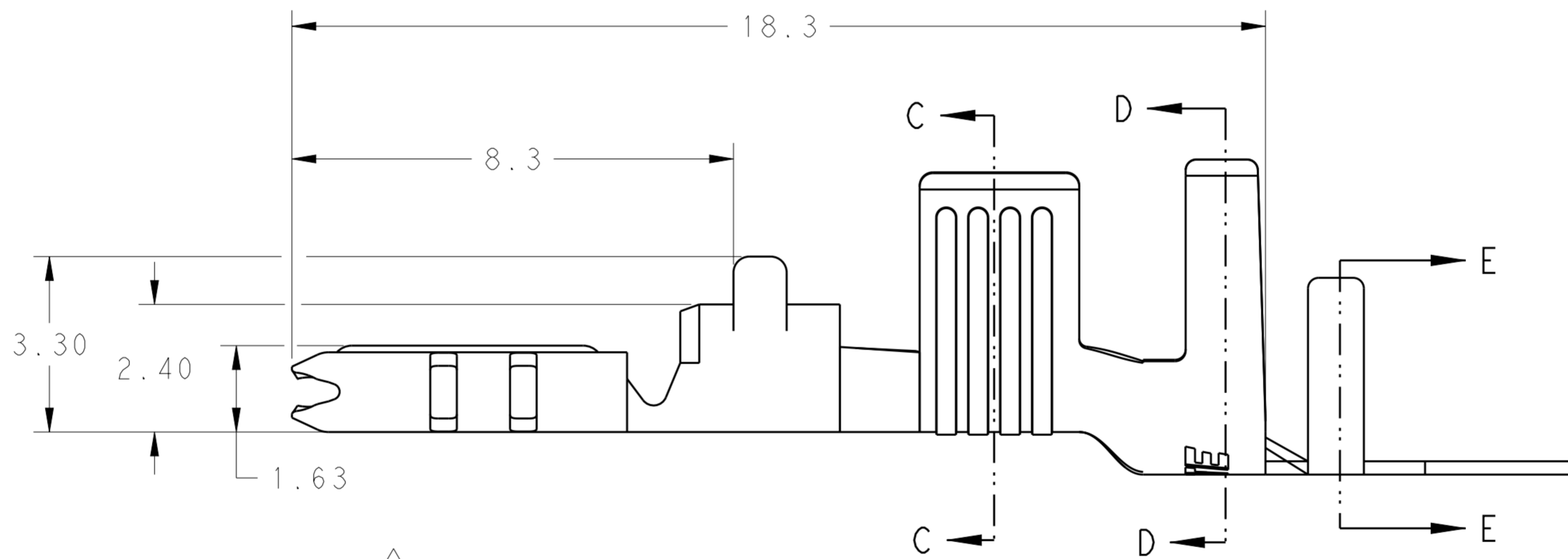
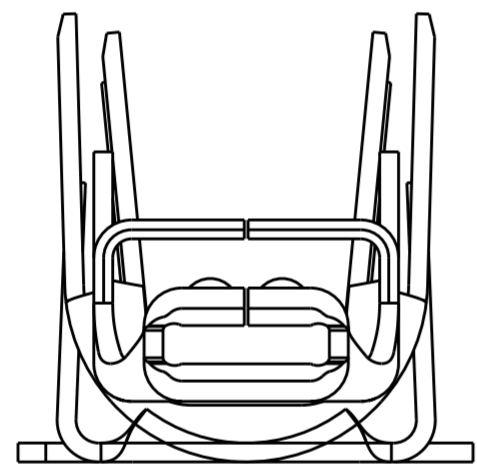
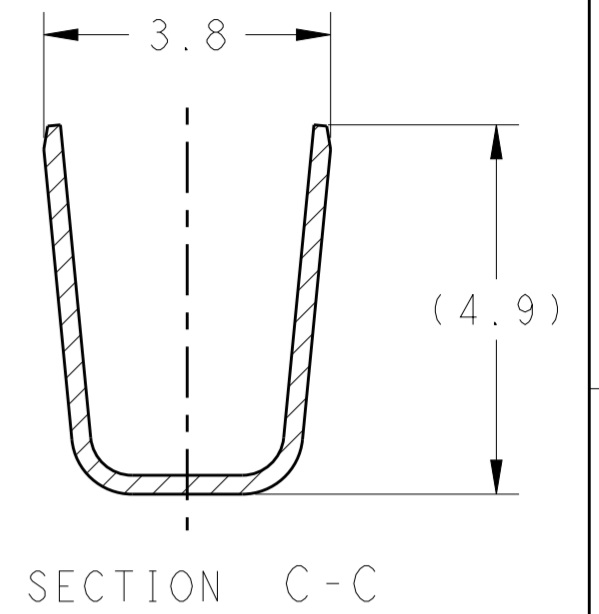
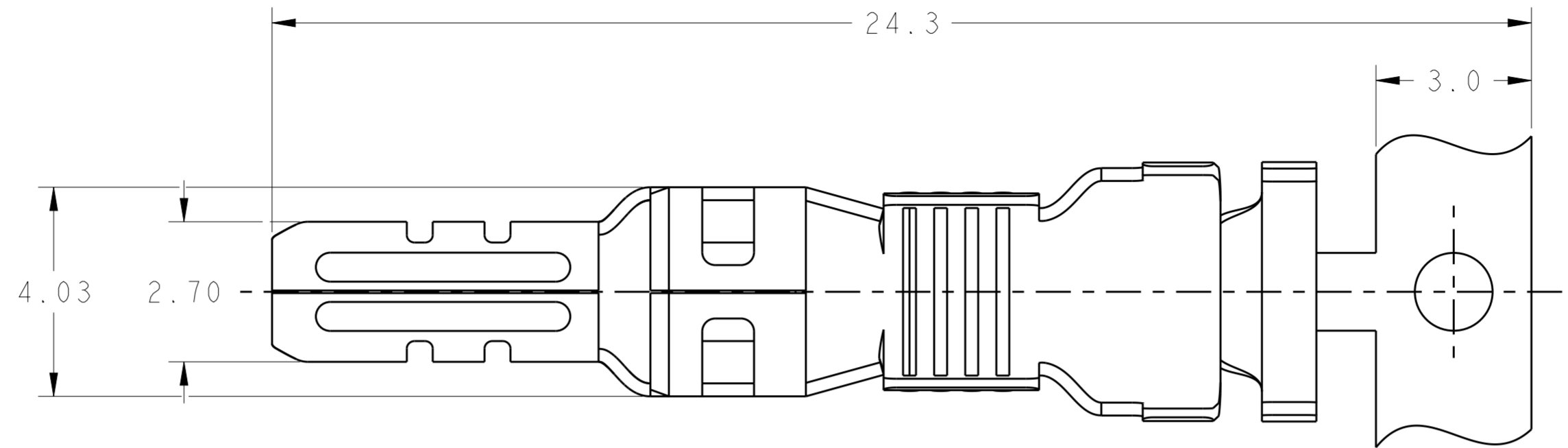
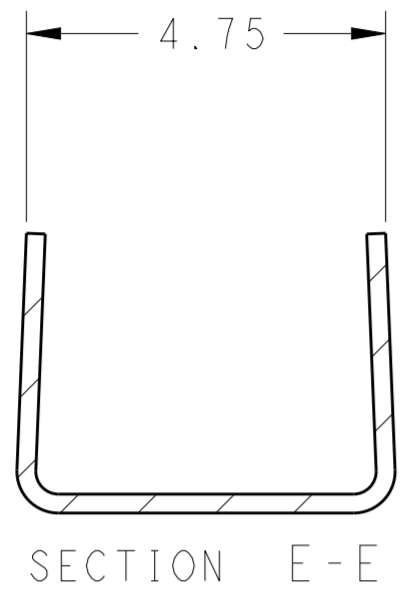
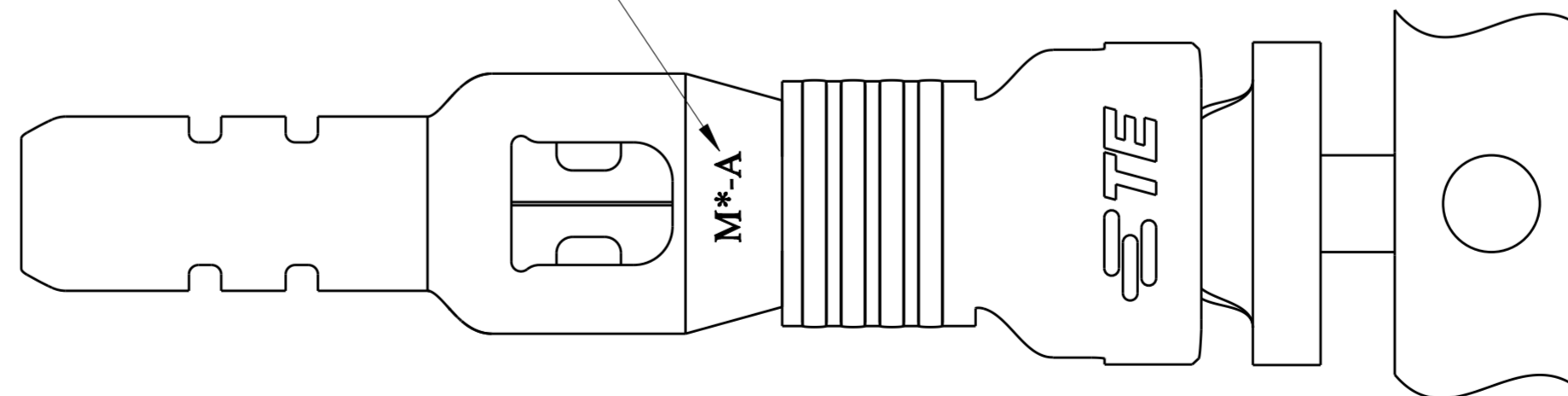


THIS DRAWING IS UNPUBLISHED. RELEASED FOR PUBLICATION 20  
 © COPYRIGHT 20 BY - ALL RIGHTS RESERVED.

LOC	DIST	REVISIONS			
P	LTR	DESCRIPTION	DATE	DWN	APVD
ES	00				
	C1	REVISED PER ECO-16-016321	14NOV2016	RS	GJ
	E	REVISED PER ECO-17-018674	05APR2018	BKW	GJ



5 MATERIAL/SIZE MARK



- 1 MATERIAL: COPPER ALLOY, PRE TIN PLATING
- 2 APPLICABLE WIRE: 12AWG COPPER STRANDED
- 3 APPLICABLE INSULATION DIAMETER: 3.85~4.25mm
- 4 APPLICABLE MATED CAP HOUSING P/N:  
 \*-1971771-\*/\*-1971774-\*/\*-1971874-\*/  
 \*-1971772-\*/\*-1971775-\*/\*-1971875-\*/  
 \*-2232263-\*/\*-2232264-\*/\*-2232356-\*/  
 \*-2232358-\*/\*-2232359-\*/\*-2232360-\*

5 WIRE SIZE INDICATOR. "A" = 12AWG

6 This product has not completed validation testing.

HIGH(150°C)	M0	1971780-2
STANDARD(105°C)	M4	1971780-1
TEMP. RATING	MATERIAL MARK	PART NO

THIS DRAWING IS A CONTROLLED DOCUMENT.

DIMENSIONS:	TOLERANCES UNLESS OTHERWISE SPECIFIED:	DWN TOMMY WU 11JUL2011	TE Connectivity <b>TAB CONTACT POWER TRIPLE LOCK</b>
mm	0 PLC ±0.5	CHK HAPYE WU 11JUL2011	
	1 PLC ±0.30	APVD YUHONG MAO 11JUL2011	
	2 PLC ±	PRODUCT SPEC 108-106118	
MATERIAL	3 PLC ±	APPLICATION SPEC 114-106118	SIZE CAGE CODE DRAWING NO RESTRICTED TO
	4 PLC ±	WEIGHT -	A200779 C-1971780
	ANGLES ±	Customer Drawing	SCALE 5:1 SHEET 1 OF 1 REV E
	FINISH		