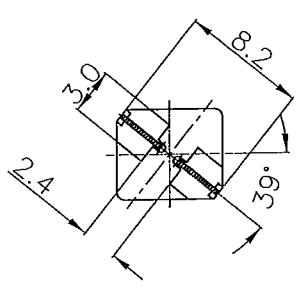
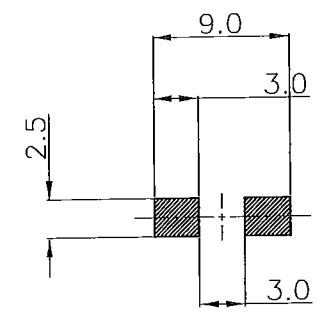
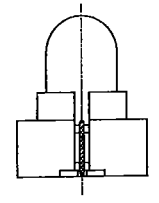
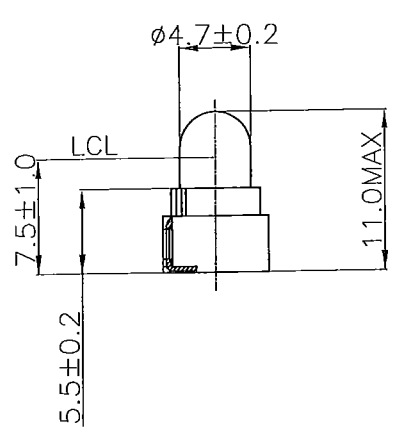
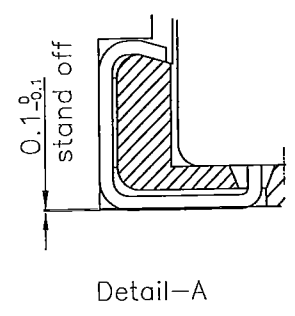
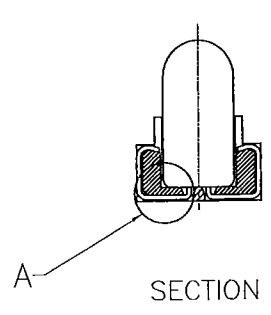
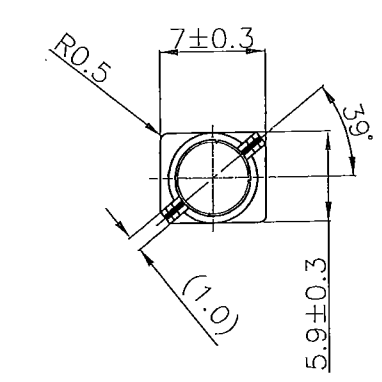



D.W.G. 806167	REV.	REVISIONS			
		LET	DESCRIPTION	BY	DATE



P/No. OL-6701SMC/V-806167  
 Design Volt 14V  
 Design Amp 130mA±10%  
 Light Output 0.65MSCP±25%  
 Filament Shape C-2F  
 Base Color IVORY

- NOTE
1. BASE MATERIAL PPS
  2. LAMP LEAD DIA 0.3 (TIN PLATED)
  3. TOLERANCE ON : ONE PLACE DECIMALS ±0.3  
TWO PLACE DECIMALS ±0.15



SCALE 4/1	UNIT m.m	MATERIAL	
TITLE T-11/2 SMC/V LAMP	DATE 150501	 <b>Oshino Lamps Limited</b> SHINAGAWA, TOKYO, JAPAN	
DRAWN 7.Hama	CHECKED T.Yoshi	APPROVED G. Imoto	D.W.G. NO. 806167 REV.