

USBN9602

*USBN9602 (Universal Serial Bus) Full Speed Function Controller with DMA
Support*



Literature Number: SNOS029A

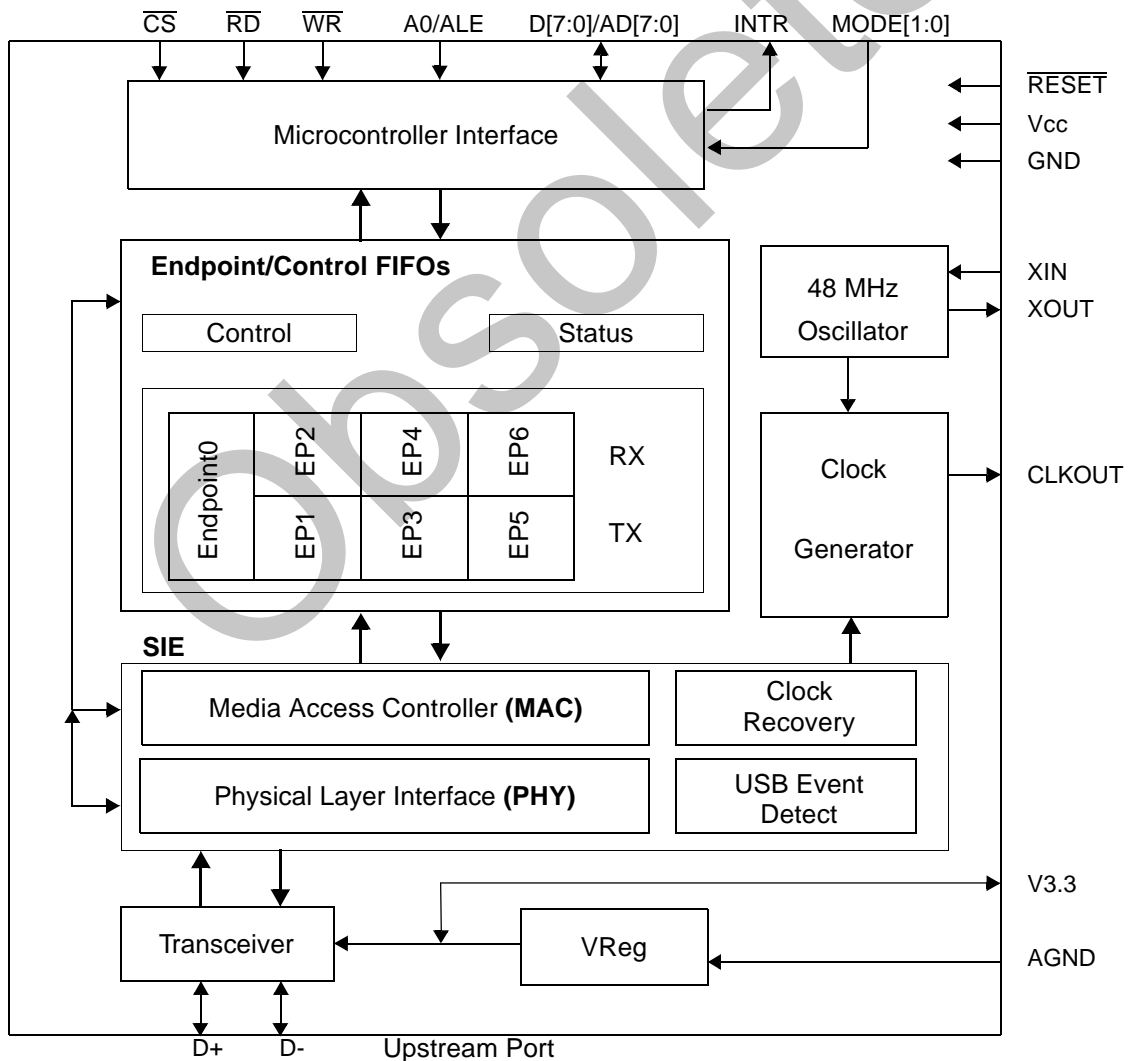
USBN9602 (Universal Serial Bus) Full Speed Function Controller With DMA Support

1.0 General Description

The USBN9602 is an integrated USB Node controller compatible with the USB Specification Versions 1.0 and 1.1. Integrated onto a single IC are the required USB transceiver with a 3.3V Regulator, Media Access Controller, USB endpoint (EP) FIFOs, a versatile 8-bit parallel interface, MICROWIRE/PLUS™ Interface and a clock generator. A total of seven FIFO buffers support the different USB messages: one bidirectional FIFO for the mandatory con-

trol endpoint EP0 and six FIFOs for an additional six unidirectional Endpoint Pipes to support USB interrupt, bulk and isochronous data transfers. The 8-bit parallel interface supports multiplexed and non-multiplexed style CPU address/data buses. A programmable interrupt output scheme allows device configuration for different interrupt signaling requirements.

Block Diagram



TRI-STATE® is a registered trademark of National Semiconductor Corporation.
MICROWIRE/PLUS™ and MICROWIRE™ are trademarks of National Semiconductor Corporation.

2.0 Features

- Full-Speed USB Node Device
- USB transceiver
- 3.3V signal voltage regulator
- 48 MHz oscillator circuit
- Programmable clock generator
- Serial Interface Engine consisting of Physical Layer Interface (PHY) and Media Access Controller (MAC), USB Specification 1.0 compliant
- Control/Status Register File
- USB Function Controller with seven FIFO-based Endpoints:
 - One bidirectional Control Endpoint 0 (8 bytes)
 - Three Transmit Endpoints (2*32 and 1*64 bytes)
 - Three Receive Endpoints (2*32 and 1*64 bytes)
- 8-bit parallel interface with two selectable modes:
 - non-multiplexed
 - multiplexed (Intel compatible)
- DMA support for parallel interface
- MICROWIRE/PLUS™ Interface
- 28-pin SO package

Obsolete

Table of Contents

1.0	General Description	1	11.11	Transmit Mask Register (TXMSK)	26
2.0	Features	2	11.12	Receive Event Register (RXEV)	27
3.0	Device Overview	4	11.13	Receive Mask Register (RXMSK)	27
3.1	Transceiver	4	11.14	NAK Event Register (NAKEV)	27
3.2	Voltage Regulator (VReg)	4	11.15	NAK Mask Register (NAKMSK)	27
3.3	Serial Interface Engine (SIE)	4	11.16	FIFO Warning Event Register (FWEV)	27
3.4	Endpoint/Control FIFOs	4	11.17	FIFO Warning Mask Register (FWMSK)	28
3.5	Microcontroller Interface	5	11.18	Frame Number High Byte Register (FNH)	28
4.0	Connection Diagram	5	11.19	Frame Number Low Byte Register (FNL)	28
5.0	Pin Descriptions	6	11.20	Function Address Register (FAR)	28
6.0	Parallel Interface	9	11.21	Endpoint Control Register 0 (EPC0)	29
6.1	Non-Multiplexed Mode	9	11.22	Transmit Status Register 0 (TXS0)	29
6.2	Multiplexed Mode	10	11.23	Transmit Command Register 0 (TXC0)	29
7.0	DMA Support	12	11.24	Transmit Data Register 0 (TXD0)	30
8.0	MICROWIRE/PLUS Interface	13	11.25	Receive Status Register 0 (RXS0)	30
9.0	Device Functional States	16	11.26	Receive Command Register 0 (RXC0)	30
9.1	Suspend Operation	16	11.27	Receive Data Register 0 (RXD0)	31
9.2	Remote Resume	16	11.28	Endpoint Control Register x (EPC1 through EPC6)	31
9.3	USB Resume Operation	16	11.29	Transmit Status Register x (TXS1, TXS2, TXS3)	31
9.4	Functional State Transitions	16	11.30	Transmit Command Register x (TXC1, TXC2, TXC3)	32
10.0	Endpoint Operation	18	11.31	Transmit Data Register x (TXD1, TXD2, TXD3)	32
10.1	Transmit and Receive Endpoint FIFOs	18	11.32	Receive Status Register x (RXS1, RXS2, RXS3)	33
10.2	Bidirectional Control Endpoint FIFO0 Operation	19	11.33	Receive Command Register x (RXC1, RXC2, RXC3)	33
10.3	Transmit Endpoint FIFO Operation (TXFIFO1, TXFIFO2, TXFIFO3)	19	11.34	Receive Data Register x (RXD1, RXD2, RXD3)	34
10.4	Receive Endpoint FIFO Operation (RXFIFO1, RXFIFO2, RXFIFO3)	20	12.0	Design considerations	35
10.5	Programming Model	21	12.1	Targeted Applications	35
11.0	Register Set	23	12.2	3.3V Regulator Issues	35
11.1	Main Control Register (MCNTRL)	23	12.3	Simplified Application Diagrams	35
11.2	Clock Configuration Register (CCONF)	23	13.0	Memory Map	36
11.3	DMA Control Register (DMACNTRL)	24	14.0	Electrical Characteristics - PRELIMINARY	37
11.4	RevisionIdentifierRegister(RID)RevisionIdentifier(RID)	24	14.1	Parallel Interface Timing (MODE[1:0] = 00b)	39
11.5	Node Functional State Register (NFSR)	24	14.2	Parallel Interface Timing (MODE[1:0] = 01b)	41
11.6	Main Event Register (MAEV)	25	14.3	DMA Support Timing	43
11.7	Main Mask Register (MAMSK)	25	14.4	MICROWIRE Interface Timing (MODE[1:0] = 10b)	44
11.8	Alternate Event Register (ALTEV)	25	15.0	Physical Dimensions	45
11.9	Alternate Mask Register (ALTMSK)	26			
11.10	Transmit Event Register (TXEV)	26			

3.0 Device Overview

The USBN9602 is an integrated USB Node controller. The block diagram on page 1 of the data sheet shows the major on-chip components of the device.

3.1 Transceiver

The USBN9602 contains a high-speed transceiver, which consists of three main functional blocks:

- differential receiver
- single-ended receiver with on-chip voltage reference
- transmitter with on-chip current source

The performance requirements met by this transceiver are described in Chapter 7 of the *Universal Serial Bus Specification Version 1.0*.

To minimize signal skew, the differential output swings of the transmitter are well balanced. Slew-rate control is used on the driver to minimize radiated noise and cross talk. The drivers support TRI-STATE® operation to allow bidirectional half-duplex operation of the transceiver.

The differential receiver operates over the complete common mode range, that is guaranteed to be larger than that of the single-ended receivers, to avoid potential glitches in the Serial Interface Engine (SIE) after Single-Ended Zeros.

Single-ended receivers are present on each of the two data lines. These are required, in addition to the differential receiver, to detect an absolute voltage with a switching threshold between 0.8V and 2.0V (TTL inputs). An external $1.5 \pm 5\%$ k Ω resistor, tied to a voltage source between 3.0V and 3.6V referenced to the local ground, is required on D+ to indicate that this is a high-speed node.

3.2 Voltage Regulator (VReg)

The Voltage Regulator provides a 3.3V voltage from the 5.0V device power for the integrated transceiver. This 3.3V output can be used to supply power to the 1.5 k Ω pull-up resistor. It can be disabled under software control to allow using the device in a 3.3V system. This output must be decoupled with a 10 μ F tantalum capacitor to ground.

3.3 Serial Interface Engine (SIE)

The USB Serial Interface Engine (SIE) consists of a Physical Layer Interface (PHY) level and a Media Access Controller (MAC) level. The PHY level includes the digital-clock recovery circuit, a digital glitch filter, End_Of_Packet detection circuitry, and bit stuffing and unstuffing logic. The MAC level includes packet formatting, CRC generation and checking, endpoint address detection, and provides the necessary control to give the NAK, ACK, and STALL responses as determined by the Endpoint Controller for the specified endpoint pipe. The SIE is also responsible for detecting and reporting events on detection of USB-specific events such as Reset, Suspend, and Resume. The transmitter outputs of the module to the transceiver are well matched (under 1 ns) to minimize skew on the USB signals.

The USB standard specifies bit stuffing and unstuffing as a method to ensure adequate transitions on the line to enable clock recovery at the receiving end. Whenever a string of consecutive 1s is encountered, the bit-stuffing logic inserts a 0 after every sixth 1 in the data stream. The bit-unstuffing logic reverses this process.

The clock recovery block uses the incoming NRZI data to extract a data clock (12 MHz) from an input clock derived from a crystal or crystal oscillator (48 MHz frequency). This clock is used in the data recovery circuit. The output of this block is binary data (decoded from the NRZI stream) that can be appropriately sampled using the extracted 12 MHz clock. The jitter performance and timing characteristics meet the requirements set forth in Chapter 7 of the USB Specification.

3.4 Endpoint/Control FIFOs

The Endpoint Pipe Controller (EPC) provides the interface for USB Function endpoints. An endpoint is the ultimate source or sink of data. An endpoint pipe provides for the movement of data between USB and memory, and completes the path between the USB Host and the function endpoint. According to the USB specification, up to 31 such endpoint pipes are supported at any given time, each with the same Function Address. The USBN9602, however, supports a maximum of seven endpoint pipes.

A USB Function is a USB device that is able to transmit and receive information on the bus. A Function may have one or more configurations, each of which defines the interfaces that make up the device. Each interface, in turn, is composed of one or more endpoints.

Each endpoint is an addressable entity on USB and is required to respond to IN and OUT tokens from the USB Host (typically a PC). An IN token indicates that the host has requested to receive information from an endpoint, and an OUT token indicates that the host is about to send information to an endpoint.

Upon detection of an IN token addressed to an endpoint, the endpoint is responsible for responding with a data packet. If the endpoint is currently stalled, a STALL handshake packet is sent under software control. If the endpoint is enabled, but no data is present, a NAK (Negative Acknowledgment) handshake packet is sent automatically. If the Endpoint is Isochronous and enabled, but no data present, a bit stuff error followed by an end of packet is sent on the bus.

Similarly, upon detection of an OUT token addressed to an endpoint, the endpoint is responsible for receiving a data packet sent by the host and storing it in a buffer. If the endpoint pipe is currently stalled, a STALL handshake packet is sent at the end of the data transmission. If the endpoint pipe is currently disabled, no handshake packet is sent at the end of the data transmission. If the endpoint pipe is enabled, but no buffer is present in which to store the data, a NAK (Negative Acknowledgment) handshake packet is sent. If the Endpoint is Isochronous and enabled but can't handle the data, the data will be lost.

A Disabled endpoint does not respond to IN, OUT, or SETUP tokens.

The Endpoint Pipe Controller maintains separate status and control information for each endpoint pipe.

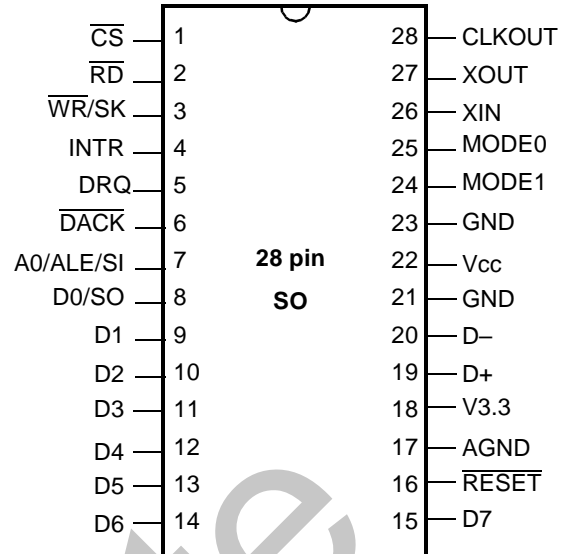
For IN tokens, the Endpoint Pipe Controller is responsible for transferring data from the defined buffer to the host. For OUT tokens, the Endpoint Pipe Controller is responsible for transferring data from the host to the defined buffer.

3.5 Microcontroller Interface

A CPU or microcontroller can be connected via an 8-bit parallel interface or a MICROWIRE interface. For the parallel interface, there are two addressing modes (multiplexed or non-multiplexed). These modes are selected by hardwiring the proper binary code on the MODE1 and MODE0 pins.

In addition, an interrupt output is provided. The type of the interrupt can be programmed to be either push-pull active-high or active-low output, or an open-drain active-low output.

4.0 Connection Diagram



Order Number USBN9602-28M
See NS Package Number M28B

Figure 1. USBN9602 Connection Diagram

Obsoleto

5.0 Pin Descriptions

The following tables briefly describe the USBN9602 pins. Each table lists a related set of device pins and shows the device pin number, the signal direction (“I” for input, “O” for output, “I/O” for bidirectional, or N.A. for not applica-

ble), and a brief description of the pin function.

Note that unused input or bidirectional pins must be pulled up or down as appropriate. This is essential to reduce overall power consumption and to limit EMI.

5.0.1 Power Supply

Pin #	Dir	Label	Pin Functional Description
22	N.A.	Vcc	Digital Power Supply (Vcc)
21,23	N.A.	GND	Digital Power Supply (GND)
17	N.A.	AGND	Analog Power Supply (AGND)
18	N.A.	V3.3	Transceiver 3.3V Voltage Supply. This pin can be used as the internal 3.3V voltage regulator output. The regulator is intended to power only the internal transceiver and one external pull-up. An external 1 μ F de-coupling capacitor is required on this pin. The voltage regulator output is disabled upon hardware reset. If the internal voltage regulator is left disabled, this pin can be used as a 3.3V supply input for the transceiver.

5.0.2 Oscillator, Clock and Reset

Pin #	Dir	Label	Pin Functional Description
26	N.A.	XIN	Input for internal 48 MHz crystal oscillator circuit. A 48 MHz third harmonic crystal may be used.
27	N.A.	XOUT	Output for the internal crystal oscillator circuit.
28	O	CLKOUT	Clock Output. This pin provides a programmable clock source. Upon hardware reset, this pin sources a 4 MHz clock (there may be an initial phase discontinuity). It may be programmed for different speeds or disabled via the Clock Configuration Register (these subsequent transitions are synchronous and will occur smoothly).
16	I	RESET	Active-Low Reset input. Signal conditioning is provided on this pin to allow the use of a simple RC power-on reset circuit.

Oscillator Circuits

The XIN and XOUT pins may be connected to make a 48 MHz closed loop crystal controlled oscillator. Alternately an external 48 MHz clock source may be input to clock the device. The internal crystal oscillator uses a 48 MHz 3rd harmonic crystal. The circuit for the crystal option is shown in Figure 2. If an external clock source is used, it is connected to XIN. XOUT is unconnected.

Stray capacitance and inductance should be kept as low as possible in the oscillator circuit. Trace lengths should be minimized by locating the crystal and external components as close as possible to the XIN and XOUT pins.

Note: The circuit shown has been tested with crystals from ECS Inc. only (e.g. part number ECS-480-S-1-30T). For other crystals, please consult the manufacturer for recommended circuit and component values.

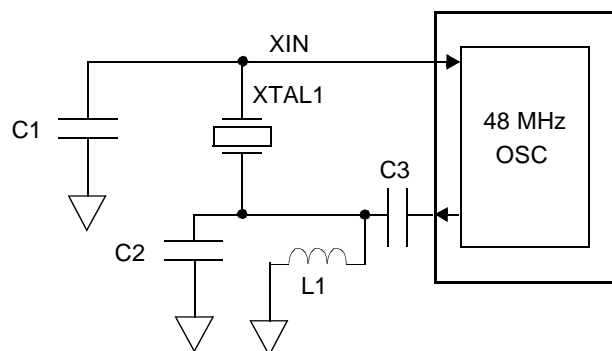


Figure 2. 3rd Harmonic Crystal Oscillator Connections

5.0 Pin Descriptions (Continued)

Component	Parameters	Values	Tolerance
Crystal 1	Resonance Frequency Third Overtone Type Maximum Effective Series Resistance Maximum Shunt Capacitance Maximum Drive Level	48 MHz Parallel AT-Cut 40 Ω 7 pF 1 mW	2500 ppm
C1		22 pF	10%
C2		56 pF	10%
C3		100 nF	10%
L1		470 nH	10%

5.0.3 USB Port

Pin #	Dir	Label	Pin Functional Description
19	I/O	D+	USB D+ upstream port. This pin requires an external 1.5k pull-up to 3.3V to signal full speed operation.
20	I/O	D-	USB D- upstream port.

Obsolete

5.0 Pin Descriptions (Continued)

5.0.4 Microprocessor Interface

Pin #	Dir	Label	Pin Functional Description
24:25	I	MODE[1:0]	Interface Mode select input pins. Each of these pins should be hard-wired to Vcc or GND to select the interface mode: MODE[1:0] = 00: Mode 0: non-multiplexed parallel interface mode MODE[1:0] = 01: Mode 1: multiplexed parallel interface mode MODE[1:0] = 10: Mode 2: MICROWIRE interface mode MODE[1:0] = 11: Mode 3: reserved† †Note: Mode 3 also selects the MICROWIRE interface mode in the USBN9602, but this mode should be reserved to preserve compatibility with future devices.
6	I	$\overline{\text{DACK}}$	Active-low DMA Acknowledge. This pin is only used if DMA is enabled. If DMA is not used, this pin must be tied to Vcc.
5	O	DRQ	DMA Request. This pin is only used if DMA is enabled.
4	O	INTR	Interrupt Output. The interrupt signal modes (active high, active low or open drain) can be programmed via the Main Control Register. During Reset, this pin is placed in the TRI-STATE mode.
1	I	$\overline{\text{CS}}$	Active-low chip select signal.
2	I	$\overline{\text{RD}}$	Active-low read signal for parallel interface.
3	I	$\overline{\text{WR}}$	Mode 0,1: Active-low write signal for parallel interface.
		SK	Mode 2: MICROWIRE shift clock
7	I	A0	Mode 0 address bus line A0 for parallel interface.
		ALE	Mode 1 Address Latch Enable for parallel interface.
		SI	Mode 2 MICROWIRE Serial Input
8	I/O	D0	Mode 0 Data bus line D0
		AD0	Mode 1 Address/Data bus line AD0
		SO	Mode 2 MICROWIRE Serial Output
9	I/O	D1	Mode 0 Data bus line D1
		AD1	Mode 1 Address/Data bus line AD1
10	I/O	D2	Mode 0 Data bus line D2
		AD2	Mode 1 Address/Data bus line AD2
11	I/O	D3	Mode 0 Data bus line D3
		AD3	Mode 1 Address/Data bus line AD3
12	I/O	D4	Mode 0 Data bus line D4
		AD4	Mode 1 Address/Data bus line AD4
13	I/O	D5	Mode 0 Data bus line D5
		AD5	Mode 1 Address/Data bus line AD5
14	I/O	D6	Mode 0 Data bus line D6
		AD6	Mode 1 Address/Data bus line AD6
15	I/O	D7	Mode 0 Data bus line D7
		AD7	Mode 1 Address/Data bus line AD7

6.0 Parallel Interface

The parallel interface allows the USBN9602 to function as a CPU or microcontroller peripheral. One of two interface modes can be selected via the MODE0 pin while the MODE1 pin is pulled low:

- Non-multiplexed mode
- Multiplexed mode

6.1 Non-Multiplexed Mode

The non-multiplexed mode uses the control pins \overline{CS} , \overline{RD} , \overline{WR} , the address pin A0, and the bidirectional data bus D[7:0], as shown in Figure 3. This mode is selected by tying both the MODE1 and MODE0 pin to GND.

The CPU has direct access to the registers DATA_IN, DATA_OUT and ADDR. Reading and writing data to the USBN9602 can be done either in standard or burst mode. See Figure 4 for timing information on the signal timing in non-multiplexed mode.

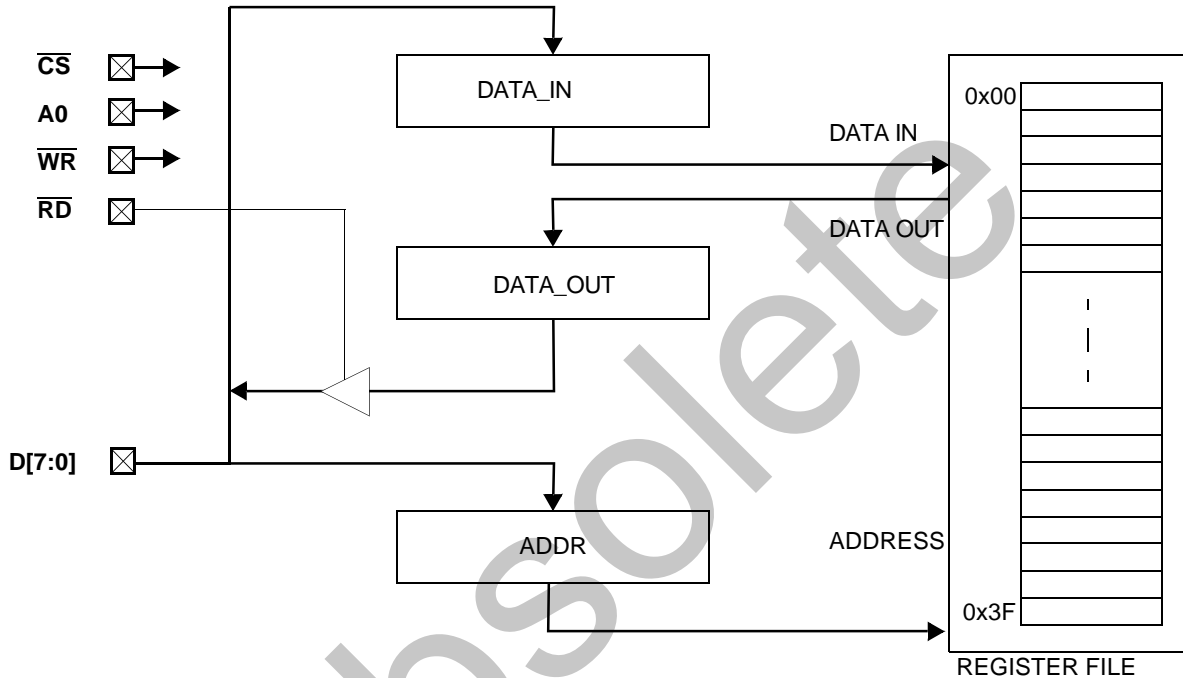


Figure 3. Non-Multiplexed Mode Interface Block Diagram

6.0 Parallel Interface (Continued)

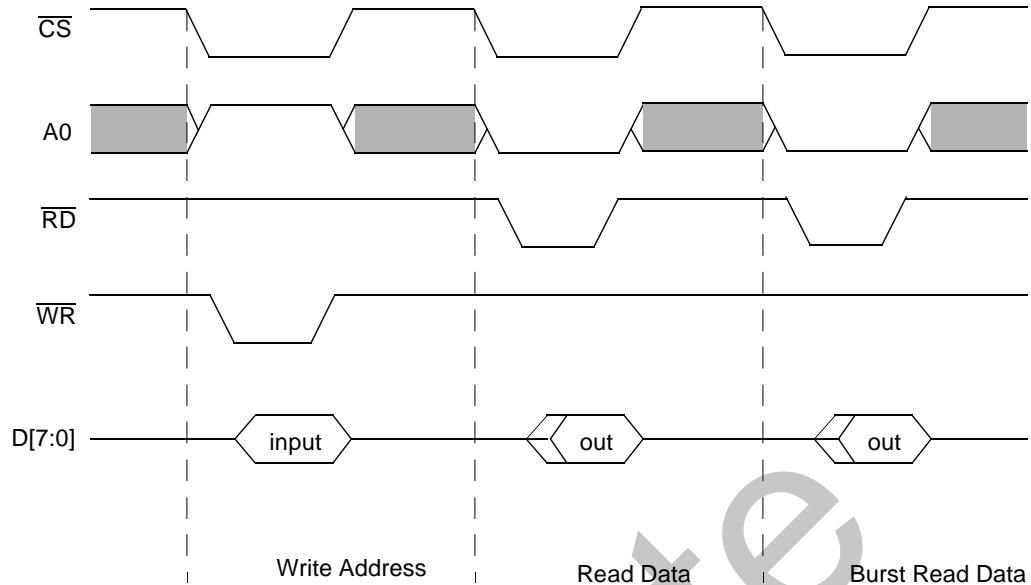


Figure 4. Non-Multiplexed Mode Basic Timing Diagram

6.1.1 Standard Access Mode

The standard USBN9602 access sequence for the non-multiplexed interface mode is to write the address to the ADDRESS register and then read or write the data from/to the DATA_OUT/DATA_IN register. Updating of the DATA_OUT register occurs following the write of the ADDR register. Selection between the ADDRESS register and the DATA_OUT/DATA_IN register is done with the A0 input.

6.1.2 Burst Mode

In burst mode, the ADDR register is written once with the memory address of the desired on-chip register. Then consecutive reads/writes are performed to the DATA_OUT/DATA_IN register without writing a new address. The DATA_OUT register contents for read operations are updated once after every read.

6.1.3 User Registers

The following table gives an overview of the parallel interface registers in non-multiplexed mode. In the table, the reserved bits return undefined data on read and should be written with zero.

A0	Access	Register Bit Number							
		7	6	5	4	3	2	1	0
0	read	DATA_OUT							
0	write	DATA_IN							
1	read	reserved							
1	write	reserved	ADDRESS[5:0]						

6.1.4 ADDRESS

The address register (ADDR) acts as a pointer to the internal memory. This register is write-only and is cleared upon reset.

6.1.5 DATA_OUT

The Data Output register (DATA_OUT) is updated with the memory register to which the ADDR register is pointing. Update occurs under the following conditions:

1. After the ADDR register is written
2. After a read from the DATA_OUT register
3. After a write to the DATA_IN register

This register is read-only and holds undefined data after reset.

6.1.6 DATA_IN

The Data Input register (DATA_IN) holds the data which is written to the USBN9602 address ADDR is pointing to.

This register is write-only and is cleared upon reset.

6.2 Multiplexed Mode

The multiplexed mode uses the control pins \overline{CS} , \overline{RD} , \overline{WR} , the address latch enable signal ALE, and the bidirectional address data bus AD[7:0], as shown in Figure 6. This mode is selected by tying MODE1 to GND and MODE0 to Vcc.

The address is latched into the ADDR register while ALE is high and data is output/input with the next active \overline{RD} or \overline{WR} signal. All registers are directly accessible in this interface mode. Figure 7 shows the basic timing.

6.0 Parallel Interface (Continued)

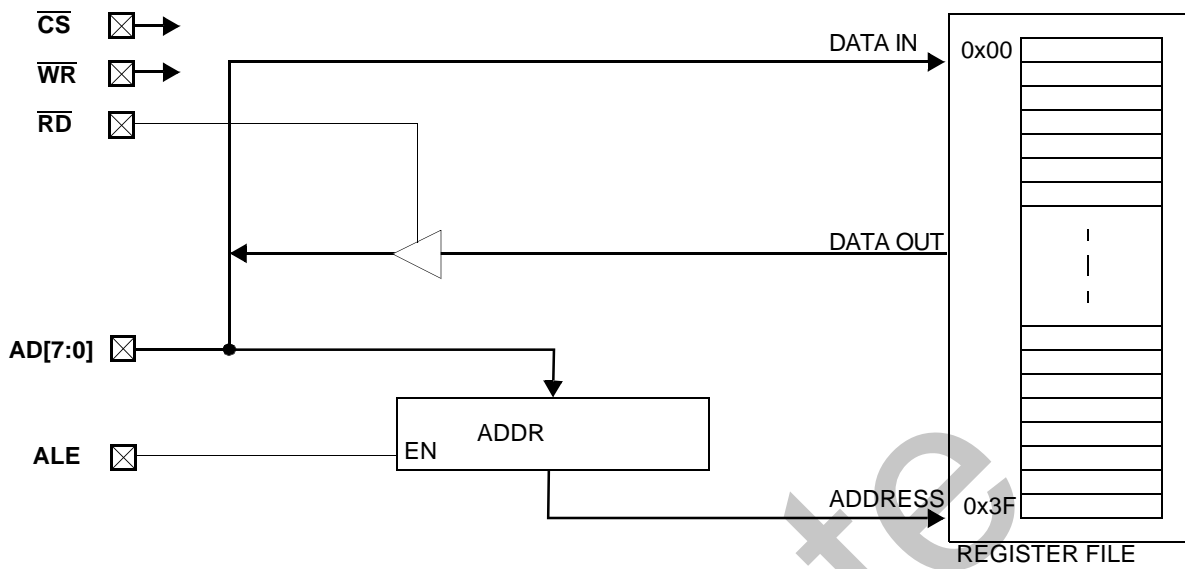


Figure 6. Multiplexed Mode Interface Block Diagram

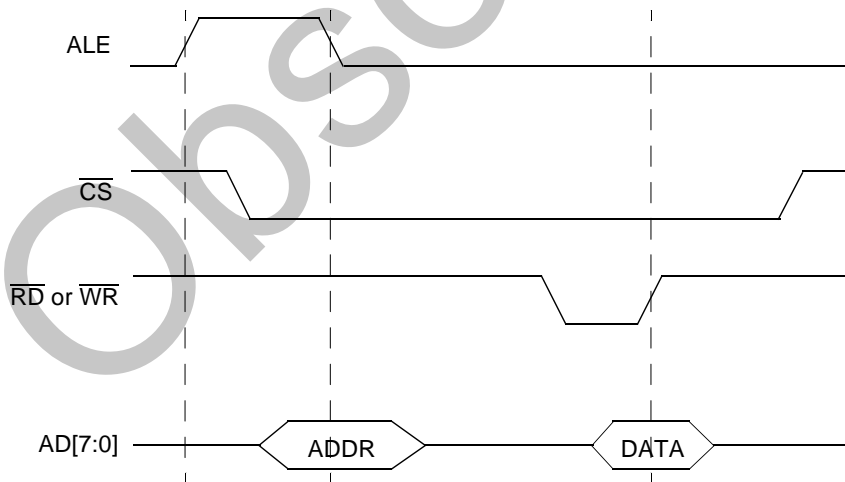


Figure 7. Multiplexed Mode Basic Read/Write Timing

7.0 DMA Support

The USBN9602 supports DMA transfers with an external DMA controller to and from Endpoints 1 through 6. In this mode, the device pins DRQ and $\overline{\text{DACK}}$ are used in addition to the parallel interface pins $\overline{\text{RD}}$ or $\overline{\text{WR}}$ and the data D[7:0] pins. The DMA mode can only be used with the parallel interface modes (MODE1 tied to GND). The read or write address is generated internally and the state of the A0/ALE pin is ignored during a DMA cycle.

The DMA support logic has a lower priority than the parallel interface. $\overline{\text{CS}}$ needs to stay inactive during a DMA cycle. If $\overline{\text{CS}}$ becomes active, $\overline{\text{DACK}}$ is ignored and a regular read/write operation is performed. Only one Endpoint can be enabled at a given time to issue a DMA request when data is received or transmitted.

To enable DMA transfers, the following steps must be performed:

1. The local CPU programs the DMA controller for fly-by demand mode transfers. In this mode, transfers occur only when the USBN9602 requests them via the DRQ pin. The data is read/written from/to the USBN9602 receive/transmit FIFO and written/read into/from local memory during the same bus transaction.
2. The DMA address counter is programmed to point to the destination memory block in the local shared memory, and the byte count register is programmed with the number of bytes in the block to be transferred.
3. The DMA request enable bit and DMA source bits are set in the USBN9602. In addition, the software must set the respective Endpoint enable bit.
4. The USB host can now perform USB bulk or isochronous data transfers over the USB bus to the receive FIFO or from the transmit FIFO in the USBN9602.
5. If the FIFO's warning limit is reached or the transmission/reception is completed, a DMA request/acknowledge sequence is started for the predetermined number of bytes. The time at which a DMA request is issued depends on the selected DMA Mode (controlled by the DMACNTRL.DMOD bit), the current status of the endpoint FIFO, and the FIFO warning enable bits. A DMA request can be issued immediately.
6. After the DMA controller is granted control of the bus, it drives a valid memory address and asserts $\overline{\text{DACK}}$ and $\overline{\text{RD}}$ or $\overline{\text{WR}}$, thus transferring a byte from the USBN9602 receive FIFO to memory or from memory to the transmit FIFO. This process continues until the DMA byte count, within the DMA controller, reaches zero.
7. After the programmed amount of data is transferred, the firmware needs to do one of the following (depending on the transfer direction and mode): queue the new data for transmission by setting the TXCx.TX_EN bit, set the end-of-packet marker by setting the TXCx.TX_LAST bit, re-enable reception by setting the RXCx.RX_EN bit, or check whether the last byte of the packet was received (RXSx.RX_LAST).

The DMA transfer can be halted at any time by resetting the USBN9602 DMA request enable bit. If the USBN9602 DMA request enable bit is cleared during the middle of a DMA cycle, the current cycle is completed before the DMA request is terminated.

Figure 8 shows the basic DMA read timing and Figure 9 shows the basic DMA write timing.

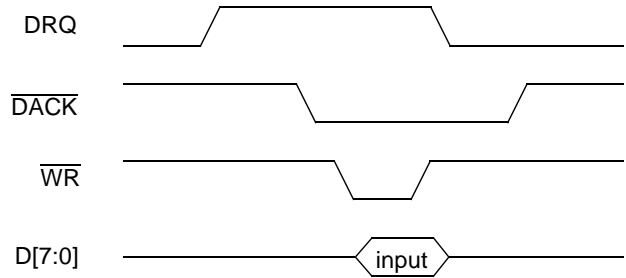


Figure 8. DMA Write to USBN9602

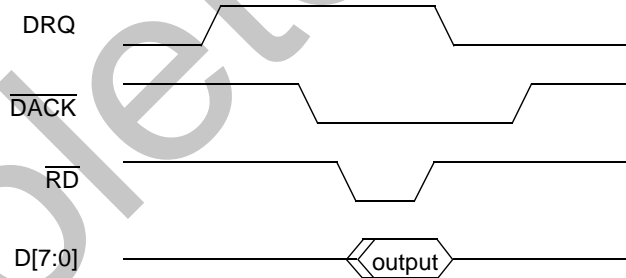


Figure 9. DMA Read from USBN9602

8.0 MICROWIRE/PLUS Interface

The MICROWIRE/PLUS interface allows the USBN9602 to function as a peripheral of a CPU or microcontroller via a serial interface. This mode is selected by pulling the MODE1 pin high and the MODE0 pin low. The MICROW-

IRE/PLUS mode uses pins called chip select (\overline{CS}), serial clock (SK), serial data in (SI), and serial data out (SO), as shown in Figure 10.

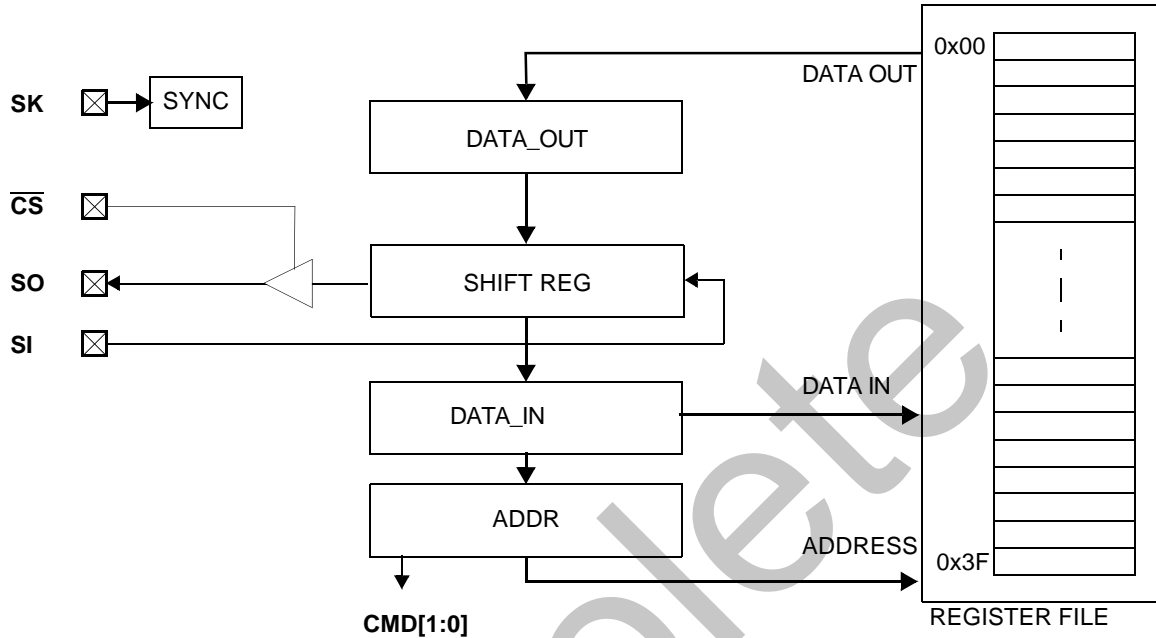


Figure 10. MICROWIRE Interface Block Diagram

The MICROWIRE interface is enabled by a falling edge of \overline{CS} and reset with a rising edge of \overline{CS} . Data on SI is shifted in after the rising edge of SK and data is shifted out on SO after the falling edge of SK. Data transfer from and to the shift register is done after the falling edge of the eighth SK clock. Data is transferred with the most significant bit first. Table 1 summarizes the available commands for the MICROWIRE interface.

Note: A write operation to any register always reads out the contents of the register *after* the write occurs and shifts out that data in the next cycle. This read does not clear the bit in the respective register, even for a clear-on-read ("Cor") type bit. An exception is writing to the TXDx (transmit data) registers, which causes undefined data to be read out during the next cycle.

8.0 MICROWIRE/PLUS Interface (Continued)

Table 1. MICROWIRE Command/Address Byte Format

Byte Transferred								Sequence initiated. One cycle equals eight SK clocks. Data is transferred after the eighth SK. clock of one cycle.
CMD		ADDR						
1	0	5	4	3	2	1	0	
0	0	RADDR (read)						Cycle 1: Shift in CMD/RADDR; shift out previous read data Cycle 2: Shift in next CMD/ADDR; shift out RADDR data
0	1	x						Cycle 1: No action; shift out previous read data (does not clear CoR bits)
1	0	WADDR (normal write)						Cycle 1: Shift in CMD/WADDR; shift out previous read data Cycle 2: Shift in WADDR write data; shift out WADDR read data (does not clear CoR bits)
1	1	WADDR (burst write)						Cycle 1: Shift in CMD/WADDR; shift out previous read data Cycle 2-n: Shift in WADDR write data; shift out WADDR read data (does not clear CoR bits); terminate this mode by pulling \overline{CS} high

Reading the data is done by shifting in the 2-bit command (CMD) and the 5-bit address (RADDR or WADDR) while simultaneously shifting out read data from the previous address.

Writing data can be done in standard mode or burst mode. The standard mode requires two bytes: the command and address being shifted in and the data being shifted in. In burst mode, the command and address are transferred first, and then consecutive data is written to that address. The burst mode is terminated by \overline{CS} going inactive (high).

For the MICROWIRE interface, Figure 11 shows the basic read timing, Figure 12 shows the standard write timing, and Figure 13 shows the write timing in burst mode.

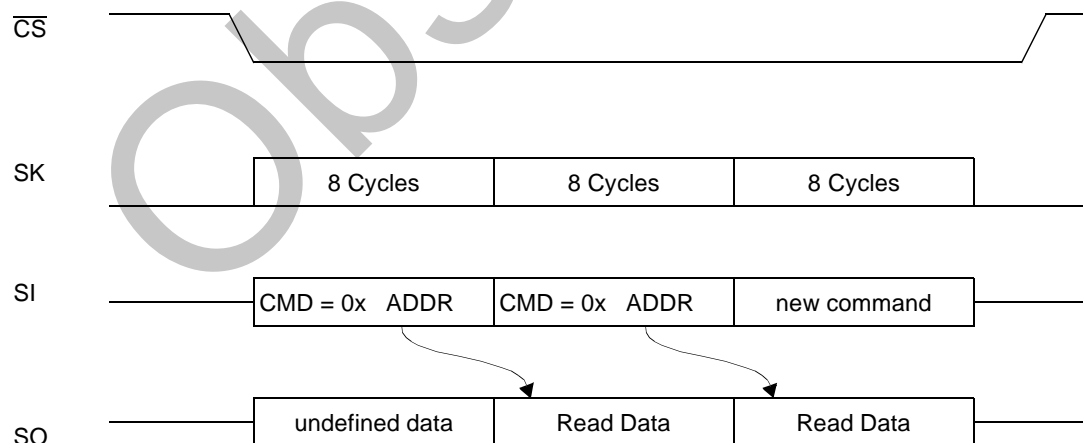


Figure 11. MICROWIRE Interface Basic Read Timing

8.0 MICROWIRE/PLUS Interface (Continued)

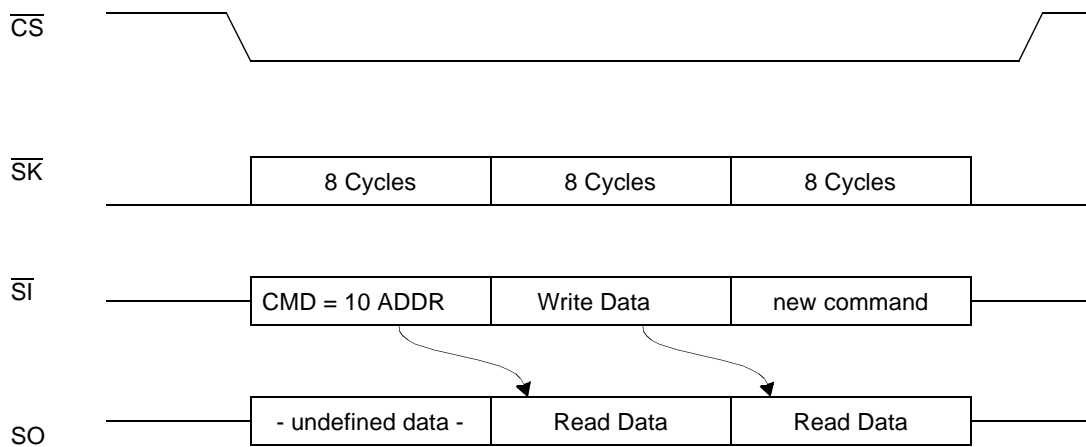


Figure 12. MICROWIRE Interface Standard Write Timing

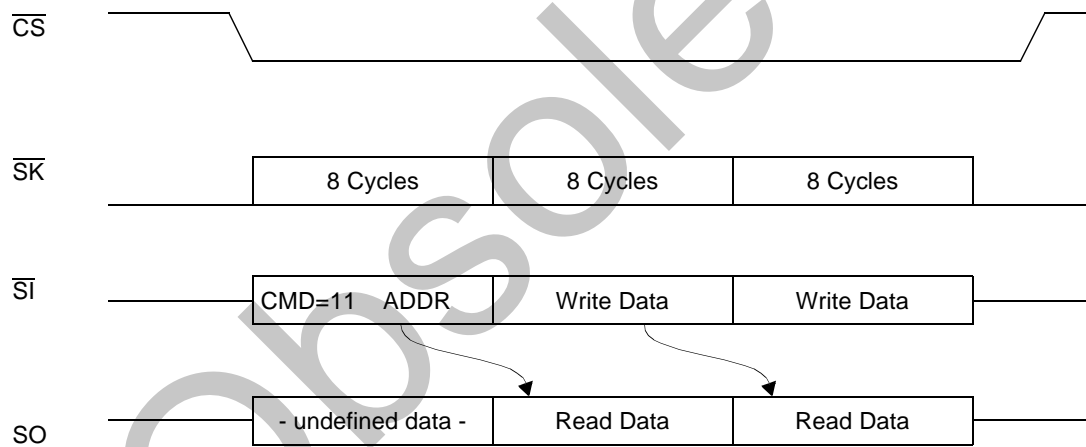


Figure 13. MICROWIRE Interface Burst Write Timing

9.0 Device Functional States

At any given time, the USBN9602 operates in one of the following states:

- “NodeReset” the device is reset
- “NodeOperational” when the device is operating normally
- “NodeSuspend” when the device is suspended due to USB inactivity
- “NodeResume” when the device wakes up from the suspended state

The Suspend, Resume, or Reset line condition causes a transition from one operating state to another. These conditions are detected by specialized hardware and reported via the Alternate Event (ALTEV) register. If interrupts are enabled, an interrupt is generated upon the occurrence any of the specified condition.

9.1 Suspend Operation

A USB device is expected to enter the Suspend state in response to the Suspend event, which occurs when 3 ms has elapsed without any detectable bus activity. The USBN9602 looks for this event and signals it by setting the ALTEV.SD3 bit, which causes an interrupt to be generated. The firmware should respond by putting the USBN9602 in Suspend state.

In the Suspend state, the transceiver enters a special low-power mode. All registered states and FIFO Buffers remain static so that upon resumption of activity, no additional operations are necessary.

The USBN9602 can resume operation from the Suspend state under firmware control as a response to a local event at the host controller, which can in turn wake up the USB bus via a remote resume operation, or upon detection of a resume command on the USB bus that signals an interrupt to the host controller.

9.2 Remote Resume

If the host has enabled remote wake-ups to occur from this node, the USBN9602 can initiate a remote wake-up.

Once the firmware detects the event that is supposed to wake-up the bus, it releases the USBN9602 from the suspend state by initiating a Remote Resume on the USB using the NFSR register. The node firmware must ensure that at least 5 ms of Idle has been present on the USB. While in the Resume state, a constant “K” is signaled on the USB. This should last for at least 1 ms, after which the USB host continues sending the resume signal for at least an additional 20 ms, and then completes the resume operation by issuing the End_Of_Packet (EOP) sequence.

To successfully detect the EOP, the firmware has to enter the “NodeOperational” state by setting the NFSR register.

Should an End_Of_Packet from the host not be received within 100 ms, the Remote Resume should be initiated again by the software.

9.3 USB Resume Operation

Upon detection of resume or reset signal while in the Suspend state, the USBN9602 can signal this to the main controller by generating an interrupt.

USB specifications requires that a device must be ready to respond to USB tokens within 10 ms after wake-up or reset.

9.4 Functional State Transitions

Figure 14 is a state diagram showing the device states and transitions. The conditions that trigger each transition are shown in the figure. Conditions that require firmware operation are shown in italics. Note that all USBN9602 state transitions are initiated by the firmware.

9.0 Device Functional States (Continued)

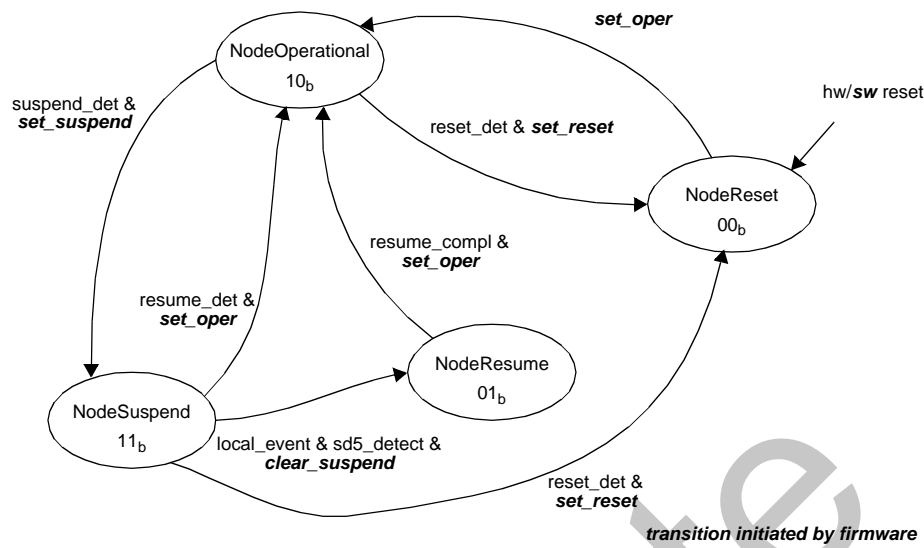


Figure 14. Node Functional State Diagram

The following notes apply to the state diagram:

- When the node is not in the NodeOperational state, all port registers and internal Endpoint states are reset.
- In the NodeResume state, resume signaling is propagated upstream.
- In the NodeSuspend state, the node may enter a low-power state and is able to detect resume signaling.

Table 2 describes the individual conditions that trigger state transitions.

Table 2. State Transition Conditions

State Transition	Condition Asserted
set_reset	Node Functional State register NFS[1:0] bits are written with 00 _b . The firmware should only initiate set_reset if ALTEV.RESET is set.
set_suspend	Node Functional State register NFS[1:0] bits are written with 11 _b . The firmware should only initiate set_suspend if ALTEV.SD3 is set.
set_oper	Node Functional State register NFS[1:0] bits are written with 10 _b .
clear_suspend	Node Functional State register NFS[1:0] bits are written with 01 _b . The firmware should only initiate clear_suspend if ALTEV.SD5 is set.
reset_det	Alternate Event register RESET bit set (ALTEV.RESET = 1).
local_event	A local event that should wake up the USB.
sd5_det	Alternate Event register SD5 bit set (ALTEV.SD5 = 1).
suspend_det	Alternate Event register SD3 bit set (ALTEV.SD3 = 1).
resume_det	Alternate Event register RESUME bit set (ALTEV.RESUME = 1).
resume_compl	The node should stay in the NodeResume state for at least 10ms and then must enter the NodeOperational state to detect the EOP from the host, which terminates this remote resume operation. EOP is indicated by ALTEV.EOP = 1.

10.0 Endpoint Operation

Packets are broadcast from the root hub to all the nodes on the USB network. Address detection is implemented in hardware to allow selective reception of packets and to permit optimal use of microcontroller bandwidth. One function address with seven different endpoint combinations is decoded in parallel. If a match is found, then that particular packet is received into the FIFO; otherwise it is ignored.

The incoming USB Packet Address Field and Endpoint Field are extracted from the incoming bit stream. Then the address field is compared to the Function Address Register (FADR) and if a match is detected, the Endpoint Field is compared to all of the Endpoint Control Registers (EPCx) in parallel. A match will then cause the payload data to be received or transmitted using the respective Endpoint FIFO.

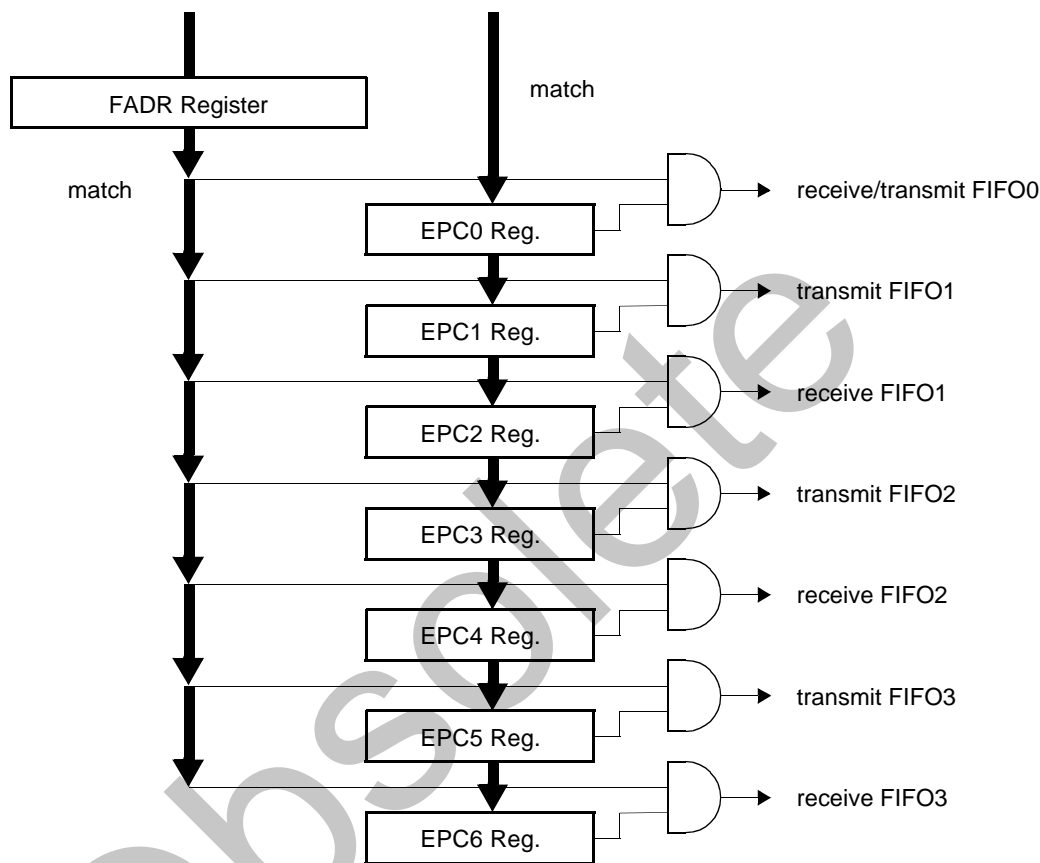


Figure 15. USB Function Address/Endpoint Decoding

10.1 Transmit and Receive Endpoint FIFOs

The USBN9602 uses a total of seven Transmit and Receive FIFOs. There is one bidirectional Transmit and Receive FIFO for the mandatory control endpoint zero, plus an additional three transmit and three receive FIFOs, for up to six additional endpoints. As shown in Table 3, the bidirectional FIFO for endpoint zero is 8 bytes deep and the additional unidirectional FIFOs are 32 or 64 bytes deep for both transmit and receive. Each FIFO can be programmed for one exclusive USB endpoint used together with one globally decoded USB function address. The firmware must not have both transmit and receive enabled for endpoint zero at any given time.

Table 3. USBN9602 Endpoint FIFO Sizes

Endpoint #	TX FIFO size (name)	RX FIFO size (name)
0	8 (FIFO0)	
1	32 (TXFIFO1)	-
2	-	32 (RXFIFO1)
3	32 (TXFIFO2)	-
4	-	32 (RXFIFO2)
5	64 (TXFIFO3)	-
6	-	64 (RXFIFO3)

10.0 Endpoint Operation (Continued)

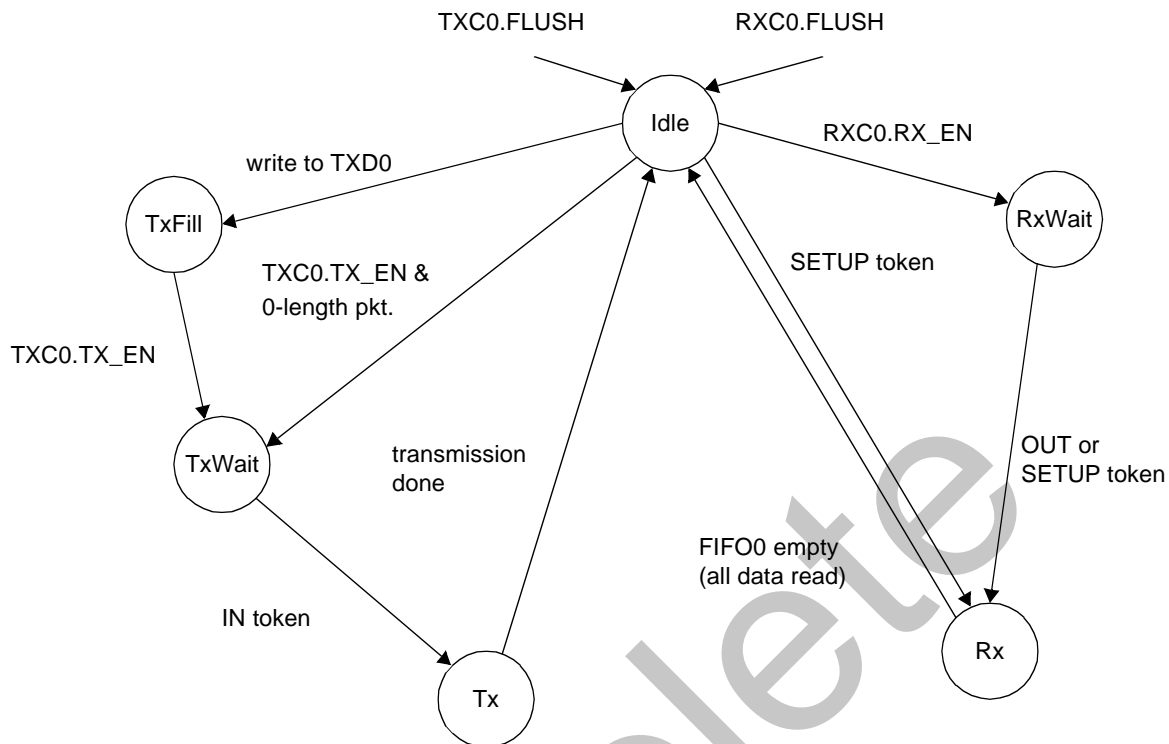


Figure 16. Endpoint 0 Operation

If two endpoints in the same direction are programmed with the same endpoint number and both are enabled, then data will be received or transmitted using the endpoint with the lower number until that endpoint gets disabled for BULK or INTERRUPT transfers, or becomes full or empty for ISO transfers. For example, if receive EP2 and receive EP4 both use the endpoint number five and are both isochronous, then the first OUT packet is received into EP2 and the second OUT packet is received into EP4, if there is no firmware interaction in between. For ISO endpoints, this allows implementing a ping-pong buffer scheme together with the frame number match logic.

Endpoints in different directions programmed with the same endpoint number still operate independently.

10.2 Bidirectional Control Endpoint FIFO0 Operation

FIFO0 is intended to be used for the bidirectional control endpoint zero. It can be configured to receive data sent to the default address by setting the DEF bit of the EPC0 register. Isochronous transfers are not supported for the control endpoint.

The Endpoint 0 FIFO can hold a single receive or transmit packet with up to eight bytes of data. Figure 16 is a state diagram showing the basic operation of the Endpoint 0 FIFO in both the receive and transmit directions.

Note that the actual current operating state is not directly visible to the firmware.

A packet written to the FIFO will be transmitted if an IN token for the respective Endpoint is received. If an error condition is detected, the packet data remains in the FIFO and transmission is retried with the next IN token.

The FIFO contents can be flushed to allow response to an OUT token or to write new data into the FIFO for the next IN token.

If an OUT token is received for the FIFO, the firmware will be informed about data being received to the FIFO only if there was no error condition (CRC or STUFF error). Erroneous receptions are automatically discarded.

10.3 Transmit Endpoint FIFO Operation (TXFIFO1, TXFIFO2, TXFIFO3)

The Transmit FIFOs for Endpoints 1, 3, and 5 support Bulk, Interrupt, and Isochronous USB transfers of packets that are greater than the FIFO size. Therefore, the firmware must update the FIFO contents while the USB packet is being transmitted on the bus. Figure 17 illustrates the operation of the transmit FIFOs.

10.0 Endpoint Operation (Continued)

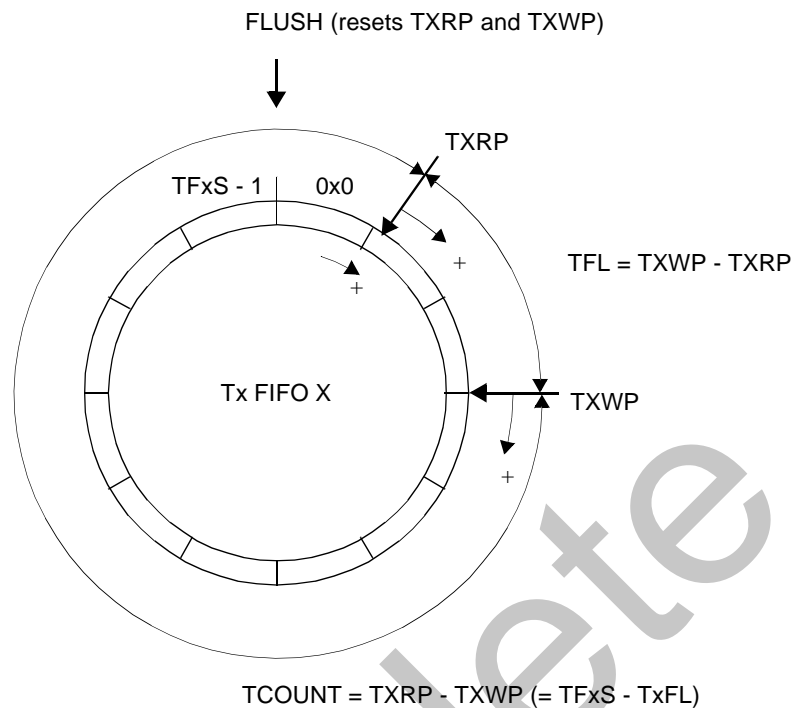


Figure 17. Tx FIFO Operation

The diagram labels used in Figure 17 are explained below.

10.3.1 TFxS

Transmit FIFO x Size. This is the total number of bytes available within the FIFO.

10.3.2 TXRP

Transmit Read Pointer. This pointer is incremented every time the Endpoint controller reads data from the Transmit FIFO. This pointer wraps around to zero if TFxS is reached. TXRP is never incremented beyond the value of the write pointer TXWP.

An underrun condition occurs if TXRP equals TXWP and an attempt is made to transmit more bytes with the TX-Cx.LAST bit not set.

10.3.3 TXWP

Transmit Write Pointer. This pointer is incremented every time the firmware writes to the Transmit FIFO. This pointer wraps around to zero if TFxS is reached.

If the attempt is made to write more bytes to the FIFO than actual space is available (FIFO overrun), the write to the FIFO is ignored. You should therefore check TCOUNT to obtain an indication of the number of empty bytes remaining.

10.3.4 TxFL

Transmit FIFO Level. This value indicates how many bytes not yet transmitted remain in the FIFO before an underrun condition occurs on the next read of the FIFO.

A FIFO warning can be issued if TxFL decreases to a specific value. The respective FWEV.TXWARNx bit is set if TxFL is equal to or less than the number specified with TXCx.TFWL.

10.3.5 TCOUNT

Transmit FIFO Count. This value indicates how many empty bytes are available to be filled within the Transmit FIFO. This value is accessible by the firmware via the TXSx Register.

10.4 Receive Endpoint FIFO Operation (RXFIFO1, RXFIFO2, RXFIFO3)

The Receive FIFOs for Endpoints 2, 4, and 6 support Bulk, Interrupt, and Isochronous USB transfers of packets that are greater than the FIFO size. If the packet length exceeds the FIFO size, the firmware must read the FIFO contents while the USB packet is being received on the bus. Figure 18 shows the detailed behavior of the Receive FIFOs.

The diagram labels used in Figure 18 are explained below.

10.0 Endpoint Operation (Continued)

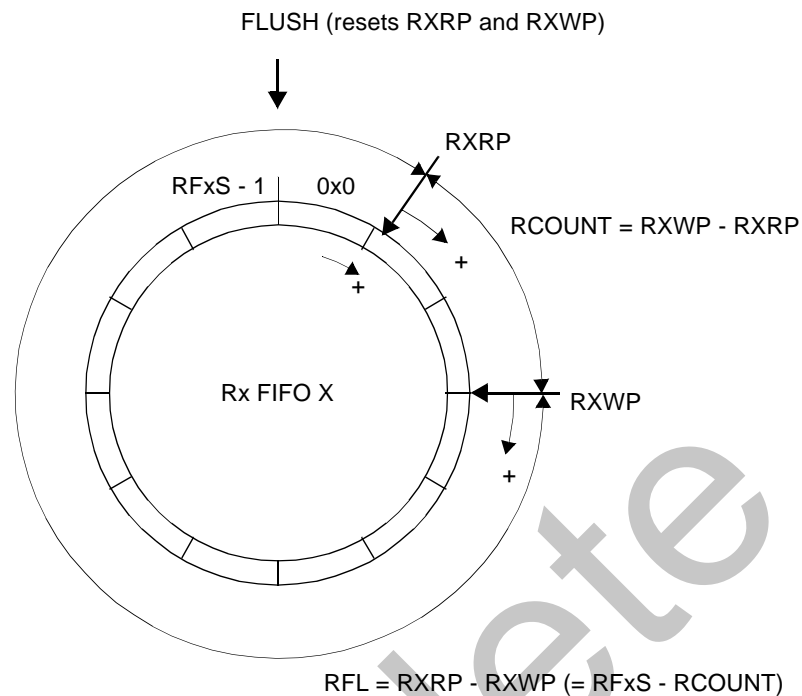


Figure 18. Rx FIFO Operation

10.4.1 RFXS

Receive FIFO x Size. This is the total number of bytes available within the FIFO.

10.4.2 RXRP

Receive Read Pointer. This pointer is incremented every time the firmware reads from the Receive FIFO. This pointer wraps around to zero if RFXS is reached. RXRP is never incremented beyond the value of RXWP.

If the attempt is made to read more bytes than are actually available (FIFO underrun), the last byte is read repetitively. You should therefore check RCOUNT to obtain an indication of the number of received bytes remaining.

10.4.3 RXWP

Receive Write Pointer. This pointer is incremented every time the Endpoint controller writes to the Receive FIFO. This pointer wraps around to zero if RFXS is reached.

An overrun condition occurs if RXRP equals RXWP and an attempt is made to receive more bytes.

10.4.4 RxFL

Receive FIFO Level. This value indicates how many more bytes can be received until an overrun condition occurs with the next write to the FIFO.

A FIFO warning can be issued if RxFL decreases to a specific value. The respective FWEV.RXWARNx bit is set if RxFL is equal to or less than the number specified with RXCx.RFWL.

10.4.5 RCOUNT

Receive FIFO Count. This value indicates how many bytes are available to be read out of the Receive FIFO. This value is accessible by the firmware via the RFSx Register.

10.5 Programming Model

Figure 19 illustrates the register hierarchy. It shows the relationship between the endpoint registers and event registers.

10.0 Endpoint Operation (Continued)

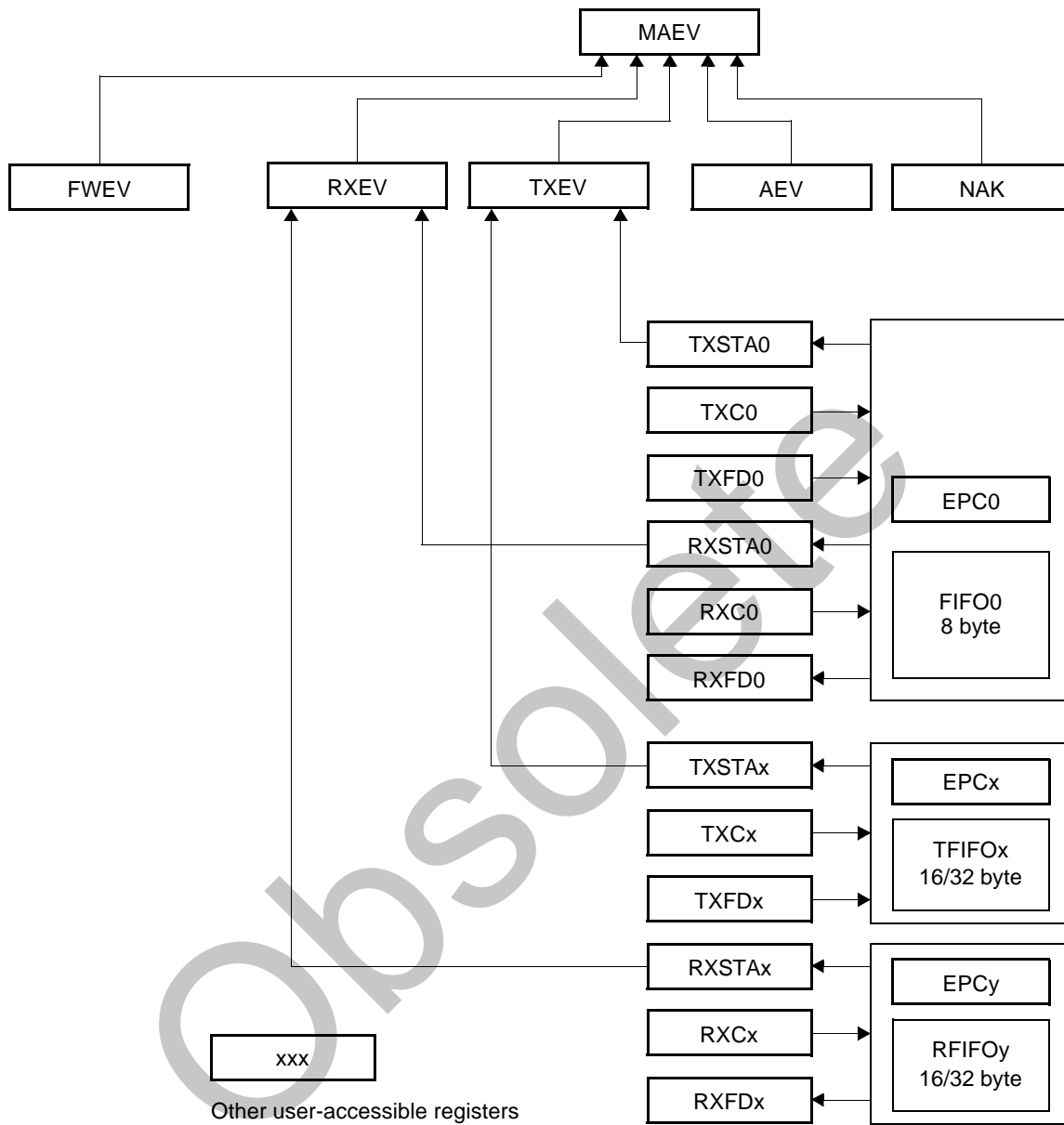


Figure 19. Register Hierarchy

11.0 Register Set

The USBN9602 has a set of memory-mapped registers that can be read or written to control the USB interface. Some register bits are reserved. Reading reserved registers bits returns undefined data. Reserved register bits should be always written with zero.

The following conventions are used to describe the register format:

bit number
bit or field name (res = reserved)
reset value
read/write characteristics: r = register bit is read-only w = register bit is write-only r/w = register bit is read and written by firmware CoR = register bit is cleared if read HW = register bit can be modified by device and firmware

11.1 Main Control Register (MCNTRL)

bit 7	bit 6	bit 5	bit 4	bit 3	bit 2	bit 1	bit 0
INTOC[1:0]		res	NAT	VGE	res	SRST	
0	0	–	0	0	–	0	
r/w		–	r/w	r/w	–	r/w	

11.1.1 SRST

Software Reset. Setting this bit causes a software reset of the device. This reset is equivalent to a hardware reset except that the clock configuration register is unaffected. Note that the software reset bit clears itself at the end of the initiated reset operation.

11.1.2 VGE

Voltage Regulator Enable. Setting this bit enables the internal 3.3V voltage regulator. This bit is hardware reset to 0, disabling the internal 3.3V regulator by default. When the internal 3.3V regulator is disabled, the device is effectively disconnected from the USB. Upon power-up, the firmware may perform any needed initialization (such as power-on self test) and then set the VGE bit. Until the VGE bit is set, the upstream hub port will not detect the presence of the device.

If the VGE bit is reset, an external 3.3V power supply may be used on the V3.3 pin.

11.1.3 NAT

Node Attached. This bit, when set, indicates that this node is ready to be detected as attached to the USB. When reset, the transceiver forces SE0 on the USB port to prevent the Hub (to which this node is connected) from detecting an attach event. After reset, this bit is left cleared to allow the device time before having to respond to commands. After this bit is set, the device no longer drives the USB and should be ready to receive Reset signaling from the hub.

The NAT bit should be set by the firmware only if an external 3.3V supply has been provided to the V3.3 pin, or at least 1 msec after the VGE bit is set (in the latter case the delay allows the internal regulator sufficient time to become stable).

11.1.4 INTOC

Interrupt Output Control bits 1 and 0. These bits control the Interrupt Output pin characteristics according to the following table.

Table 4. INTOC Bit Definition

INTOC		Interrupt Output
1	0	
0	0	Disabled (active-high, open drain)
0	1	active-low open drain
1	0	active-high push-pull
1	1	active-low push-pull

11.2 Clock Configuration Register (CCONF)

bit 7	bit 6	bit 5	bit 4	bit 3	bit 2	bit 1	bit 0
CODIS		res		CLKDIV[3:0]			
0		–		1	0	1	1
r/w		–		r/w			

11.2.1 CLKDIV

External clock divisor. The value in this field sets the clock frequency at the CLKOUT output pin as follows:

$$\text{frequency} = 48 \text{ MHz} / (\text{CLKDIV} + 1)$$

A hardware reset configures the divisor to 11 decimal which yields a 4 MHz output clock. If the CLKDIV value is changed by the firmware, the clock output period is expanded or shortened in its current phase for glitch-free switching.

11.2.2 CODIS

Clock Output Disable. Setting this bit disables the clock output. When this bit is set, the CLKOUT output pin is frozen in its current state.

11.0 Register Set (Continued)

11.3 DMA Control Register (DMACNTRL)

bit 7	bit 6	bit 5	bit 4	bit 3	bit 2	bit 1	bit 0
DEN	res			DMOD	DSRC[2:0]		
0	-			0	0	0	0
r/w	-			r/w	r/w		

11.3.1 DSRC

DMA Source. The DMA source bit field holds the binary encoded value that specifies which one of Endpoints 1 to 6 is enabled for DMA support. The DSRC bits are cleared upon reset. Table 5 summarizes the DSRC bit settings.

Table 5. DSRC Bit Description

DSRC			Endpoint #
2	1	0	
0	0	0	1
0	0	1	2
0	1	0	3
0	1	1	4
1	0	0	5
1	0	1	6
1	1	x	reserved

11.3.2 DMOD

DMA Mode. This bit specifies the time at which a DMA request is issued.

If the DMOD bit is 0, a DMA request is issued upon transfer completion. For transmit endpoints EP1, EP3, and EP5, this is the time at which the data is completely transferred as indicated by the TX_DONE bit. For receive Endpoints EP2, EP4, and EP6, this is the time at which the data is completely transferred as indicated by the RX_LAST bit. If the DMOD bit is 1, a DMA request is issued when the respective FIFO warning bit is set.

A DMA request from a transmit endpoint remains activated until the request condition goes away. If DMOD is cleared to 0, DMA requests will be issued until the firmware reads the respective transmit status register (TXSx) and thus resets the TX_DONE bit, or if the TX-Cx.TX_LAST bit in the transmit command register gets set by the firmware. If DMOD is set to 1, DMA requests will be issued until the FIFO warning condition goes away as a result of sufficient bytes being transferred to the endpoint, or if the TX_DONE bit get set as a result of a transmission.

DMA requests from a receive endpoint remains activated until the request condition goes away. If DMOD is cleared to 0, DMA requests will be issued until the firmware reads the respective receive status register (RXSx) and thus resets the RX_LAST bit, or if the endpoint FIFO becomes empty due to sufficient reads. If DMOD is set to 1, DMA requests will be issued until the FIFO warning condition goes away, or the FIFO is flushed.

If DMOD is cleared to 0 (and the endpoint and DMA are enabled), DMA requests will be issued until the firmware reads the respective transmit/receive status register (TX-Cx or RXCx) and thus resets the TX_DONE/RX_LAST bit. If DMOD is set to 1 (and the endpoint and DMA are enabled), DMA requests will be issued until the FIFO warning condition goes away.

11.3.3 DEN

DMA Enable. This bit enables the DMA support mode when set. If this bit is reset and the current DMA cycle is completed or not yet issued, the DMA transfer is terminated. When the USBN9602 operates in the MICROWIRE interface mode, DMA operation cannot be enabled and setting this bit does not have any effect.

11.4 Revision Identifier Register (RID)

bit 7	bit 6	bit 5	bit 4	bit 3	bit 2	bit 1	bit 0
reserved				REVID[3:0]			
-				0	0	0	0
-				r			

11.4.1 REVID

This register holds the binary encoded chip revision. For this revision it holds 0001_b.

11.5 Node Functional State Register (NFSR)

bit 7	bit 6	bit 5	bit 4	bit 3	bit 2	bit 1	bit 0
res						NFS[1:0]	
-						0	0
-						r/w	

11.5.1 NFS

Node Functional State bits. The firmware should initiate all required state transitions according to the respective status bits in the Alternate Event register. The valid transitions are shown in the “Node Functional State Diagram” on page 17. The NFS bits set the node state as follows:

NFS[1:0] = 00 : NodeReset

NFS[1:0] = 01 : NodeResume

NFS[1:0] = 10 : NodeOperational

NFS[1:0] = 11 : NodeSuspend

11.0 Register Set (Continued)

“NodeReset” is the USB Reset state. This is entered upon a module reset or by software upon detection of a USB Reset. Upon entry, all Endpoint Pipes are disabled. EPC0.DEF and FAR.AD_EN should be cleared by the software upon entry into this state. Upon exit from this state, EPC0.DEF should be set so that the device responds to the default address.

“NodeResume” is the state in which Resume “K” signaling is generated. The firmware should cause a transition to this state to initiate a remote wake-up sequence by the device. The node must remain in this state for at least 1 ms and no more than 15 ms.

“NodeOperational” is the normal operational state. In this state the node is configured for operation on the USB.

“NodeSuspend” is the device inactive state. The firmware should cause a transition to this state upon detection of a Suspend event while in the NodeOperational state. While in the NodeSuspend state, the transceivers operate in their low-power suspend mode. All Endpoint Controllers and internal states remain frozen. Upon detection of bus activity, the ALTEV.RESUME bit is set. In response, software can cause an entry to the NodeOperational state.

11.6 Main Event Register (MAEV)

bit 7	bit 6	bit 5	bit 4	bit 3	bit 2	bit 1	bit 0
INTR	RX_EV	ULD	NAK	FRAME	TX_EV	ALT	WARN
0	0	0	0	0	0	0	0
see text	r	CoR	r	CoR	r	r	r

11.6.1 WARN

FIFO Warning. One of the unmasked bits in the FIFO Warning Event register has been set. The WARN bit is cleared by reading the FIFO Warning Event Register.

11.6.2 ALT

Alternate Event. One of the unmasked bits in the Alternate Event register has been set. The ALT bit is cleared when the Alternate Event register is read.

11.6.3 TX_EV

Transmit Event. This bit is set if any of the unmasked bits in the Transmit Event register (TXFIFOx or TXUNDRNx) are set. Therefore, it indicates that an IN transaction has been completed. This bit is cleared when all the TX_DONE bits and the TXUNDRN bits in each Transmit Status register are cleared.

11.6.4 FRAME

Frame event. This bit is set if the frame counter is updated with a new value. This can be due to a valid SOF packet being received on the USB or due to an artificial update if the frame counter was unlocked or a frame was missed. This bit is cleared when the register is read.

11.6.5 NAK

NAK Handshake. This bit is set if one of the unmasked NAK Event register bits has been set. This bit is cleared when the NAK Event register is read.

11.6.6 ULD

Unlock Locked Detected. If set, this bit indicates that the Frame Timer has entered the unlocked state from a locked condition, or has re-entered the locked condition from an unlocked condition, as determined by the Unlocked Status bit (FN.UL) being currently set. This bit is cleared when the register is read.

11.6.7 RX_EV

Receive Event. This bit is set if any of the unmasked bits in the Receive Event register are set. It indicates that a SETUP or OUT transaction has been completed. This bit is cleared when all of the RX_LAST bits in each of the receive status registers and all of the RXOVRN bits in the receive event register are cleared.

11.6.8 INTR

Master Interrupt Enable. This bit is hard-wired to zero in the Main Event register. However, the corresponding bit in the Main Mask register is the master interrupt enable.

11.7 Main Mask Register (MAMSK)

bit 7	bit 6	bit 5	bit 4	bit 3	bit 2	bit 1	bit 0
INTR	RX_EV	ULD	NAK	FRAME	TX_EV	ALT	WARN
0	0	0	0	0	0	0	0
r/w							

A bit is set to 1 in the Main Mask register enables generation of an interrupt on the occurrence of the respective event in the Main Event register. Interrupt generation is disabled otherwise. For information on the individual interrupt events, see the description of the Main Event register.

11.8 Alternate Event Register (ALTEV)

bit 7	bit 6	bit 5	bit 4	bit 3	bit 2	bit 1	bit 0
RESUME	RESET	SD5	SD3	EOP	res		
0	0	0	0	0	-		
CoR	CoR	CoR	CoR	CoR	-		

11.8.1 SD3

Suspend Detect 3 ms. This bit is set after 3 milliseconds of idle time is detected on the upstream port, indicating that the device should be suspended. The suspend occurs under firmware control by writing the SUSPEND value to the NFS register. The SD3 bit is cleared when the register is read.

11.0 Register Set (Continued)

11.8.2 SD5

Suspend Detect 5 ms. This bit is set after 5 milliseconds of idle time is detected on the upstream port, indicating that this device is now permitted to perform a remote wake-up operation. The resume operation may be initiated under firmware control by writing the RESUME value to the NFS register. The SD5 bit is cleared when the register is read.

11.8.3 RESET

Reset. This bit is set when 2.5 μ sec of SEO is detected on the upstream port. In response, the functional state bits (NFSR.NFS) should be written with 00 to reset the device, and the device should remain in the reset state for at least 100 μ sec. After being reset, the functional state may be returned to the operational state. The RESET bit is cleared when the register is read.

11.8.4 RESUME

Resume. This bit is set when resume signaling is detected on the USB while this device is in the Suspend state (NFSR.NFS = 11), indicating that this device should begin its wake-up sequence and enter the operational state. The RESUME bit is cleared when the register is read.

11.8.5 EOP

End of Packet. This bit is set when a valid End of Packet sequence is detected on the USB. This bit is used when this device has initiated a Remote wake-up sequence to indicate that the resume sequence has been acknowledged and completed by the host. The EOP bit is cleared when the register is read.

11.9 Alternate Mask Register (ALTMSK)

bit 7	bit 6	bit 5	bit 4	bit 3	bit 2	bit 1	bit 0
RESUME	RESET	SD5	SD3	EOP		res	
0	0	0	0	0		res	
r/w							

A bit is set to 1 in the Alternate Mask register enables automatic setting of the MAEV.ALT bit in the Main Event register on the occurrence of the respective event in the Alternate Event register. Setting of the MAVE.ALT bit is disabled otherwise. For information on the individual alternate events, see the description of the Alternate Event register.

11.10 Transmit Event Register (TXEV)

bit 7	bit 6	bit 5	bit 4	bit 3	bit 2	bit 1	bit 0
TXFI FO3	TXFI FO2	TXFI FO1	FIFO 0	TXFIF O3	TXFIF O2	TXFIF O1	FIF O0
TXUDRRN[3:0]				TXFIFO[3:0]			
0	0	0	0	0	0	0	0
r			see text	r			

11.10.1 TXFIFO

Transmit FIFO. These bits are copies of the TX_DONE bits from the corresponding Transmit Status registers. The bits are set when the IN transaction for the corresponding transmit endpoint is completed. The bits are cleared when the corresponding Transmit Status register is read.

11.10.2 TXUDRRN

Transmit Underrun. These bits are copies of the respective TX_URUN bits from the corresponding Transmit Status registers. Whenever any of the Transmit FIFOs underflow, the respective TXUDRRN bit is set. These bits are cleared when the corresponding FIFOx Transmit Status register is read.

As Endpoint 0 implements a store and forward principle, an underrun condition for FIFO0 cannot occur. Thus, the TXUDRRN0 bit is always zero.

11.11 Transmit Mask Register (TXMSK)

bit 7	bit 6	bit 5	bit 4	bit 3	bit 2	bit 1	bit 0
TXUDRRN[3:0]				TXFIFO[3:0]			
0	0	0	0	0	0	0	0
r/w							

A bit is set to 1 in the Transmit Mask register enables automatic setting of the MAEV.TX_EV bit in the Main Event register on the occurrence of the respective event in the Transmit Event register. Setting of the MAVE.TX_EV bit is disabled otherwise. For information on the individual transmit events, see the description of the Transmit Event register.

11.0 Register Set (Continued)

11.12 Receive Event Register (RXEV)

bit 7	bit 6	bit 5	bit 4	bit 3	bit 2	bit 1	bit 0
RXFIFO3	RXFIFO2	RXFIFO1	FIFO0	RXFIFO3	RXFIFO2	RXFIFO1	FIFO0
RXOVRN[3:0]				RXFIFO[3:0]			
0	0	0	0	0	0	0	0
CoR				r			

11.12.1 RXFIFO

Receive FIFO. This bit is set whenever either RX_ERR or RX_LAST in the respective Receive Status register is set. Reading the corresponding Receive Status register automatically clears this bit.

The USBN9602 implementation discards all packets for Endpoint 0 received with errors. This is necessary, in the case of retransmission due to media errors, to ensure that a good copy of a SETUP packet is captured. Otherwise, the FIFO could be tied up holding corrupted data and unable to receive a retransmission of the same packet. Therefore, the RXFIFO0 bit only reflects the value of RX_LAST (and not RX_ERR) for endpoint 0.

If data streaming is used for the receive endpoints (EP2, EP4, and EP6), the firmware needs to check with the respective RX_ERR bits to ensure that the packets received are not corrupted by errors.

11.12.2 RXOVRN

Receive Overrun. This bit is set in the event of a FIFO overrun condition. This bit is cleared when the register is read.

11.13 Receive Mask Register (RXMSK)

bit 7	bit 6	bit 5	bit 4	bit 3	bit 2	bit 1	bit 0
RXOVRN[3:0]				RXFIFO[3:0]			
0	0	0	0	0	0	0	0
r/w							

A bit is set to 1 in the Receive Mask register enables automatic setting of the MAEV.RX_EV bit in the Main Event register on the occurrence of the respective event in the Receive Event register. Setting of the MAEV.RX_EV bit is disabled otherwise. For information on the individual receive events, see the description of the Receive Event register.

11.14 NAK Event Register (NAKEV)

bit 7	bit 6	bit 5	bit 4	bit 3	bit 2	bit 1	bit 0
OUT[3:0]				IN[3:0]			
0	0	0	0	0	0	0	0
CoR				CoR			

11.14.1 IN

In Token NAK. This bit is set to 1 when a NAK handshake is generated for an enabled address/endpoint combination (FAR.AD_EN = 1 and EPCx.EP_EN = 1) in response to an IN token. This bit is cleared when the register is read.

11.14.2 OUT

Out Token NAK. This bit is set to 1 when a NAK handshake is generated for an enabled address/endpoint combination (FAR.AD_EN = 1 and EPCx.EP_EN = 1) in response to an OUT token. This bit is not set if NAK is generated as result of an overrun condition. This bit is cleared when the register is read.

11.15 NAK Mask Register (NAKMSK)

bit 7	bit 6	bit 5	bit 4	bit 3	bit 2	bit 1	bit 0
OUT[3:0]				IN[3:0]			
0	0	0	0	0	0	0	0
r/w							

A bit is set to 1 in the NAK Mask register enables automatic setting of the MAEV.NAK bit in the Main Event register on the occurrence of the respective event in the NAK Event register. Setting of the MAEV.NAK bit is disabled otherwise. For information on the individual NAK events, see the description of the NAK Event register.

11.16 FIFO Warning Event Register (FWEV)

bit 7	bit 6	bit 5	bit 4	bit 3	bit 2	bit 1	bit 0
RXFIFO3	RXFIFO2	RXFIFO1	res	TXFIFO3	TXFIFO2	TXFIFO1	res
RXWARN[3:1]			res	TXWARN[3:1]			res
0	0	0	–	0	0	0	–
r			–	r			–

11.16.1 TXWARN

Transmit FIFO Warning. This bit is set to 1 when the respective Transmit Endpoint FIFO reaches the warning limit as specified by the TFWL bits of the respective Transmit Command register and transmission from the respective endpoint is enabled. This bit is cleared when the warning condition is cleared by writing new data to the FIFO, by flushing the FIFO, or when the transmission is done as indicated by the TX_DONE bit within the Transmit Status register.

11.0 Register Set (Continued)

11.16.2 RXWARN

Receive FIFO Warning. This bit is set to 1 when the respective Receive Endpoint FIFO reaches the warning limit as specified by the RFWL bits of the respective Receive Command register. This bit is cleared when the warning condition is cleared by reading data from the FIFO or by flushing the FIFO.

11.17 FIFO Warning Mask Register (FWMSK)

bit 7	bit 6	bit 5	bit 4	bit 3	bit 2	bit 1	bit 0
RXFIFO3	RXFIFO2	RXFIFO1	res	TXFIFO3	TXFIFO2	TXFIFO1	res
RXWARN[3:1]			res	TXWARN[3:1]			res
0	0	0	0	0	0	0	0
r/w							

A bit is set to 1 in the FIFO Warning Mask register enables automatic setting of the MAEV.WARN bit in the Main Event register on the occurrence of the respective event in the FIFO Warning Event register. Setting of the MAVE.WARN bit is disabled otherwise. For information on the individual FIFO warning events, see the description of the FIFO Warning Event register.

11.18 Frame Number High Byte Register (FNH)

bit 7	bit 6	bit 5	bit 4	bit 3	bit 2	bit 1	bit 0
MF	UL	RFC	reserved		FN[10:8]		
1	1	0	–	–	0	0	0
r	r	w/r0	–	–	r		

11.18.1 FN

Frame Number. This field contains the highest-order bits of the current frame number, as received in the last SOF packet. If a valid frame number is not received within 12060 bit times (FLMAX with tolerance) of the previous change, the frame number is incremented artificially. If two successive frames are missed or are incorrect, the current FN is frozen and loaded with the next frame number from a valid SOF packet.

The low-order byte of the frame number is contained in the Frame Number Low Byte register (FNL). The correct sequence to read the frame number is FNL first, then FNH. Reading from the FNL register locks the three high-order bits in the FNH register, ensuring a match between the low-order and high-order bits.

11.18.2 UL

Unlocked Flag. This bit is set to indicate that at least two frames were received without an expected frame number or that no valid SOF was received within 12060 bit times. If this bit is set, the frame number from the next valid SOF packet is loaded in FN. Upon reset, this flag is set to 1.

11.18.3 MF

Missed SOF Flag. This bit is set to indicate a discontinuity in the Frame Number. It is set when the frame number in a valid received SOF does not match the expected next value. The flag is also set when an SOF is not received within 12060 bit times. Upon reset, this flag is set to 1.

11.18.4 RFC

Reset Frame Count. Setting this bit resets the Frame Number to 0x000 and then clears itself (the RFC bit) to zero. This bit always reads back as zero.

11.19 Frame Number Low Byte Register (FNL)

bit 7	bit 6	bit 5	bit 4	bit 3	bit 2	bit 1	bit 0
FN[7:0]							
0	0	0	0	0	0	0	0
r							

The Frame Number Low Byte register (FNL) holds the low-order byte of the Frame Number (see the description of the Frame Number High Byte register (FNH)). The correct sequence to read the frame number is FNL first, then FNH. Reading from the FNL register locks the three high-order bits in the FNH register, ensuring a match between the low-order and high-order bits.

11.20 Function Address Register (FAR)

bit 7	bit 6	bit 5	bit 4	bit 3	bit 2	bit 1	bit 0
AD_EN	AD[6:0]						
0	0	0	0	0	0	0	0
r/w	r/w						

The Function Address register (FAR) sets the function address for the device. The different Endpoint numbers are set for each endpoint individually via the Endpoint Control registers.

11.20.1 AD

Address. This field holds the 7-bit function address. The function address is used for transmission and reception of all tokens addressed to the device.

11.20.2 AD_EN

Address Enable. When set to 1, the bits AD[6:0] are used in address comparison. See “Endpoint Operation” on page 18 for details. When cleared, the device does not respond to any token on the USB bus.

Note: If the DEF bit in the Endpoint Control Register 0 is set, Endpoint zero responds to the default address.

11.0 Register Set (Continued)

11.21 Endpoint Control Register 0 (EPC0)

bit 7	bit 6	bit 5	bit 4	bit 3	bit 2	bit 1	bit 0
STALL	DEF	res	EP[3:0]				
0	0	–	0	0	0	0	0
r/w	r/w	–	r; hardwired to 0				

This register controls the mandatory control endpoint zero.

11.21.1 EP

Endpoint Address. This field holds the 4-bit endpoint address. For Endpoint 0, these bits are hard-wired to 0000_b.

11.21.2 DEF

Default Address. When this bit is set, the device responds to the default address, regardless of the contents of the FAR[6:0] and EP0[3:0] fields. When an IN packet is transmitted for the endpoint, the DEF bit is automatically cleared.

This bit is used in the transition from the default address to an assigned address. The transition from the default address 0000000000_b to an address assigned during bus enumeration cannot occur in the middle of the SET_ADDRESS control sequence, in order to allow completion of the control sequence. However, the address needs to be changed immediately upon completion of the SET_ADDRESS control sequence to avoid errors in the case that another control sequence immediately follows the SET_ADDRESS command.

Upon USB-Reset, the firmware has 10 mS to set things up and should write 0x80 to the Function Address Register (FAR) and 0x00 to Endpoint Control Register 0 (EPC0). At SET_ADDRESS, the firmware must write 0x40 to EPC0. Then write the assigned function address, logically ORed with 0x80, to FAR. Then queue a zero-length IN packet to complete the status phase of the SET_ADDRESS control sequence.

Note that if a SET_ADDRESS control sequence occurs when the current function address is not the default, then the mechanism described above does not work. The firmware must not set the DEF bit in this case, and must not update the FAR register until the SET_ADDRESS control sequence completes (including all handshakes).

11.21.3 STALL

Stall Handshake. Setting this bit causes the chip to generate a STALL handshake under either of the following conditions:

- The transmit FIFO is enabled and an IN token is received.
- The receive FIFO is enabled and an OUT token is received.

Note that setting this bit does not cause a STALL handshake to be generated in response to a SETUP token.

Upon transmitting the STALL handshake, the RX_LAST or TX_DONE bit is set in the respective Receive Status or Transmit Status register.

11.22 Transmit Status Register 0 (TXS0)

bit 7	bit 6	bit 5	bit 4	bit 3	bit 2	bit 1	bit 0
res	ACK_STAT	TX_DONE	TCOUNT[4:0]				
–	0	0	0	0	0	0	0
–	CoR	CoR	r				

11.22.1 TCOUNT

Transmit FIFO Count. This field indicates the count of empty bytes available in the FIFO. The value in this field is never larger than eight for Endpoint zero.

11.22.2 TX_DONE

Transmit Done. This bit, when set, indicates that a transmission of a packet has been completed. This bit is cleared when the register is read.

11.22.3 ACK_STAT

Acknowledge Status. This bit indicates the acknowledge status (from the host) regarding the ACK for the previously sent packet. This bit is to be interpreted when TX_DONE is set to 1. This bit itself is set when an ACK is received; otherwise it remains cleared. This bit is also cleared when the register is read.

11.23 Transmit Command Register 0 (TXC0)

bit 7	bit 6	bit 5	bit 4	bit 3	bit 2	bit 1	bit 0
res	IGN_IN	FLUSH	TOGGLE	res	TX_EN		
–	0	0	0	–	0		
–	r/w	r/w HW	r/w	–	r/w HW		

11.23.1 TX_EN

Transmit Enable. This bit must be set by the firmware to start a packet transmission. It is cleared by the chip after transmitting a single packet or a STALL handshake in response to an IN token. Note that the RX_EN bit in the Receive Command Register 0 takes precedence over this bit. In other words, as long as the RX_EN bit is set, the TX_EN bit is ignored.

A zero-length packet is indicated by setting this bit without writing any data into the FIFO.

11.23.2 TOGGLE

Data Toggle. This bit specifies the type of PID used for transmitting the packet. A value of 0 causes a DATA0 PID to be generated, while a value of 1 causes a DATA1 PID to be generated. This bit is not altered by the hardware.

11.23.3 FLUSH

Flush FIFO. Writing a 1 to this bit flushes all data from the control endpoint FIFO, resets the Endpoint to IDLE, clears the FIFO read and write pointer, and then clears itself. If the endpoint is currently using FIFO0 to transfer data on the USB, flushing is delayed until after the transfer is done. This bit is cleared on reset. This bit and the RXC0.FLUSH bit are equivalent.

11.0 Register Set (Continued)

11.23.4 IGN_IN

Ignore IN Tokens. When this bit is set, the endpoint ignores any IN tokens directed to its configured address.

11.24 Transmit Data Register 0 (TXD0)

bit 7	bit 6	bit 5	bit 4	bit 3	bit 2	bit 1	bit 0
TXFD							
don't care							
w							

11.24.1 TXFD

Transmit FIFO Data Byte. See "Bidirectional Control Endpoint FIFO0 Operation" on page 19 for a description of this type of data handling.

The firmware is expected to write only the packet payload data. The PID and CRC16 are created automatically.

11.25 Receive Status Register 0 (RXS0)

bit 7	bit 6	bit 5	bit 4	bit 3	bit 2	bit 1	bit 0
res	SETUP	TOGGLE	RX_LAST	RCOUNT[3:0]			
–	0	0	0	0	0	0	0
–	CoR	CoR	CoR	r			

This is the receive status register for the bidirectional control endpoint zero. To allow the reception of a SETUP packet after the reception of a zero-length OUT/SETUP packet, two copies of this register exist in hardware: one to hold the receive status of a zero-length packet and another to hold the status of the following SETUP packet with data. If a zero-length packet is followed by a SETUP packet, the first read of this register indicates the status of the zero-length packet (with RX_LAST set and RCOUNT cleared to zero) and the second read indicates the status of the SETUP packet.

11.25.1 RCOUNT

Receive FIFO Count. This field indicates the count of bytes presently in the RX FIFO. The value in this field is never larger than eight for endpoint zero.

11.25.2 RX_LAST

Receive Last. This bit, when set, indicates that the RCOUNT field reflects the number of bytes remaining of the packet. This bit is left unchanged on zero-length packets. This bit is cleared when the register is read.

11.25.3 TOGGLE

Data Toggle. When set, this bit indicates that the last successfully received packet was received with a DATA1 PID. This bit is cleared if the last successfully received packet had a DATA0 PID. This bit is left unchanged on zero-length packets. This bit is also cleared by reading the Receive Status Register 0.

11.25.4 SETUP

Setup Packet. When set, this bit indicates that a setup packet has been received. This bit is left unchanged on zero-length packets. It is cleared when the register is read.

11.26 Receive Command Register 0 (RXC0)

bit 7	bit 6	bit 5	bit 4	bit 3	bit 2	bit 1	bit 0
res				FLUSH	IGN_SETUP	IGN_OUT	RX_EN
–				0	0	0	0
–				r/w HW	r/w	r/w	r/w

11.26.1 RX_EN

Receive Enable. Out packet reception is disabled after the reception of every data packet or when a STALL handshake is returned in response to an OUT token. A 1 must be written to this bit to re-enable data reception. Reception of SETUP packets is always enabled. In the case of back-to-back SETUP packets (for a given endpoint) where a valid SETUP packet has been received with no other intervening non-SETUP tokens, the Endpoint Controller discards the new SETUP packet and return an ACK handshake. If any other reasons prevent the Endpoint Controller from accepting the SETUP packet, it must not generate a handshake. This allows recovery from a condition where the ACK of the first SETUP token is lost by the host.

11.26.2 IGN_OUT

Ignore OUT Tokens. When this bit is set, the endpoint ignores any OUT tokens directed to its configured address.

11.26.3 IGN_SETUP

Ignore SETUP Tokens. When this bit is set the endpoint ignores any SETUP tokens directed to its configured address.

11.26.4 FLUSH

Flush FIFO. Writing a 1 to this bit flushes all data from the control endpoint FIFO, resets the Endpoint to IDLE, clears the FIFO read and write pointers, and then clears itself. If the endpoint is currently using the FIFO0 to transfer data on the USB, flushing is delayed until after the transfer is done. This bit is cleared on reset. This bit and the TXC0.FLUSH bit are equivalent.

11.0 Register Set (Continued)

11.27 Receive Data Register 0 (RXD0)

bit 7	bit 6	bit 5	bit 4	bit 3	bit 2	bit 1	bit 0
RXFD							
don't care							
r							

11.27.1 RXFD

Receive FIFO Data Byte. See “Bidirectional Control Endpoint FIFO0 Operation” on page 19 for a description of this type of data handling.

The firmware should expect to read only the packet payload data. The PID and CRC16 are removed from the incoming data stream automatically.

11.28 Endpoint Control Register x (EPC1 through EPC6)

bit 7	bit 6	bit 5	bit 4	bit 3	bit 2	bit 1	bit 0
STALL	res	ISO	EP_EN	EP[3:0]			
0	–	0	0	0	0	0	0
r/w	–	r/w	r/w	r/w			

The six Endpoint Control Registers EPC1 through EPC6 control the configuration of unidirectional endpoints 1 through 6, respectively. Each register follows the format shown above.

11.28.1 EP

Endpoint Address. This field holds the 4-bit endpoint address.

11.28.2 EP_EN

Endpoint Enable. When this bit is set, the bits EP[3:0] are used in address comparison together with the bits FAR.AD[6:0]. See “Endpoint Operation” on page 18 for details. When the EP_EN bit is cleared, the endpoint does not respond to any token on the USB bus.

Note: The FAR.AD_EN bit is the global address compare enable for the USBN9602. If this bit is cleared, the device does not respond to any address, regardless of EP_EN bit.

11.28.3 ISO

Isochronous Endpoint. When this bit is set to 1, the Endpoint is isochronous. This implies that no NAK is sent if the Endpoint is enabled but not ready. In other words, if an IN token is received and no data is available within the FIFO to transmit or if an OUT token is received and the FIFO is full, as there is no USB handshake for isochronous transfers.

11.28.4 STALL

Stall Handshake. Setting this bit causes the chip to generate a STALL handshake under either of the following conditions:

- The transmit FIFO is enabled and an IN token is received.

- The receive FIFO is enabled and an OUT token is received.

Note that setting this bit does not cause a STALL handshake to be generated in response to a SETUP token.

11.29 Transmit Status Register x (TXS1, TXS2, TXS3)

bit 7	bit 6	bit 5	bit 4	bit 3	bit 2	bit 1	bit 0
TX_URUN	ACK_STAT	TX_DONE	TCOUNT[4:0]				
0	0	0	0	0	0	0	0
CoR	CoR	CoR	r				

The Transmit Status Registers TXS1, TXS2, and TXS3 report on the status of Transmit Endpoint FIFOs 2, 4, and 6, respectively. The three registers follow the format shown above.

11.29.1 TCOUNT

Transmit FIFO Count. This field indicates the count of empty bytes available in the FIFO. If this count is greater than 31, a value of 31 is reported.

11.29.2 TX_DONE

Transmit Done. This bit, when set, indicates that the endpoint responded to a USB packet. There are three conditions which can cause this bit to be set:

- A data packet has completed transmission in response to an IN token with non-ISO operation.
- The endpoint sent a STALL handshake in response to an IN token
- A scheduled ISO frame was transmitted or discarded.

This bit is cleared when the register is read. If this bit is set, the TXCx.TX_EN bit is prevented from being set.

11.29.3 ACK_STAT

Acknowledge Status. This bit is to be interpreted when TX_DONE is set. This bit has two functions: one for ISO mode (EPCx.ISO is set) and one for non-ISO mode (EPCx.ISO is reset).

For non-ISO operation, this bit indicates the acknowledge status (from the host) regarding the ACK for the previously sent packet. This bit itself is set when an ACK is received; otherwise it is cleared.

For ISO operation, this bit is set if a frame number LSB match occurs and data was sent in response to an IN token. (For details, see the description of the IGN_ISOMSK bit in the Transmit Command Register.) Otherwise, this bit is reset, the FIFO is flushed, and TX_DONE is set.

The ACK_STAT bit is also cleared when the register is read.

11.29.4 TX_URUN

Transmit FIFO Underrun. This bit is set during a transmission if the transmit FIFO becomes empty and no new data is written to the FIFO. The Media Access Controller (MAC) forces a bit stuff error followed by an EOP in this case. The TX_URUN bit is reset when the register is read.

11.0 Register Set (Continued)

11.30 Transmit Command Register x (TXC1, TXC2, TXC3)

bit 7	bit 6	bit 5	bit 4	bit 3	bit 2	bit 1	bit 0
IGN_ISOMSK	TFWL[1:0]		res	FLUSH	TOGGLE	LAST	TX_EN
0	0	0	–	0	0	0	0
r/w	r/w		–	r/w HW	r/w	r/w HW	r/w HW

The Transmit Command Registers TXC1, TXC2, and TXC3 allow control of Transmit Endpoint FIFOs 2, 4, and 6, respectively. The three registers follow the format shown above.

11.30.1 TX_EN

Transmit Enable. This bit must be set by the firmware to start a packet transmission. It is cleared by the chip after transmitting a single packet or a STALL handshake in response to an IN token. If the TXSx.TX_DONE bit is set, this bit is prevented from being set.

11.30.2 LAST

Last Byte. Setting this bit indicates to the chip that the entire packet has been written into the FIFO. This is used especially for streaming data to the FIFO during the actual transmission. If the LAST bit is not set and the transmit FIFO becomes empty during a transmission, a stuff error followed by an EOP is forced on the bus. A zero-length packet is indicated by setting this bit without writing any data into the FIFO.

The transmit state machine transmits the payload data, CRC16, and EOP signal, and then clears the LAST bit.

11.30.3 TOGGLE

Data Toggle. This bit has two functions: one for the ISO mode (EPCx.ISO bit set) and one for the non-ISO mode (EPCx.ISO bit cleared).

For non-ISO operation, the bit specifies the type of PID used for transmitting the packet. A value of 0 causes a DATA0 PID to be generated, while a value of 1 causes a DATA1 PID to be generated.

For ISO mode of operation, this bit and the least significant bit of the frame counter (FNL[0]) act as a mask for the TX_EN bit to allow pre-queueing of packets to specific frame numbers. In other words, transmission in ISO mode is only enabled if FNL[0] = TOGGLE. If an IN token is not received while this condition is true, the contents of the FIFO are flushed with the next SOF. If the endpoint is set to ISO, data is always transferred with a DATA0 PID.

This bit is not altered by the hardware.

11.30.4 FLUSH

Flush FIFO. Writing a 1 to this bit flushes all data from the corresponding transmit FIFO, resets the Endpoint to IDLE, and clears both the FIFO read and write pointers. If the MAC is currently using the FIFO to transmit, data flushing is delayed until after the transmission is done.

11.30.5 TFWL

Transmit FIFO Warning Limit. These bits specify how many more bytes can be transmitted from the corresponding FIFO before an underrun condition occurs. If the number of bytes remaining in the FIFO is equal or less than the selected warning limit, the WARN bit within the FIFO Warning Event Register (FWEV.TXFW[x]) is set. To avoid interrupts caused by setting the TXFW[x] bit while the FIFO is filled before a transmission is started, the TXFWL[x] bit is only set when transmission from the endpoint is enabled (TXC[x].TX_EN is set). See Table 6.

Table 6. Transmit FIFO Warning Limits

TFWL[1:0]		Transmit WARN Condition
0	0	Disable WARN warning bit for transmit FIFOs
0	1	≤ 4 bytes left in FIFO to transmit
1	0	≤ 8 bytes left in FIFO to transmit
1	1	≤ 16 bytes left in FIFO to transmit

11.30.6 IGN_ISOMSK

Ignore ISO mask. This bit only has an effect if the endpoint is set to be isochronous. If set, this bit disables locking to specific frame numbers with the alternate function of the TOGGLE bit. Thus, data is transmitted upon reception of the next IN token. If IGN_ISOMSK is cleared, data is only transmitted when FNL[0] matches TOGGLE.

11.31 Transmit Data Register x (TXD1, TXD2, TXD3)

bit 7	bit 6	bit 5	bit 4	bit 3	bit 2	bit 1	bit 0
TXFD							
don't care							
w							

The Transmit Data Registers TXD1, TXD2, and TXD3 hold data for Transmit Endpoint FIFOs 2, 4, and 6, respectively. The three registers follow the format shown above.

11.31.1 TXFD

Transmit FIFO Data Byte. See “Transmit Endpoint FIFO Operation (TXFIFO1, TXFIFO2, TXFIFO3)” on page 19 for a description of Endpoint FIFO data handling.

The firmware is expected to write only the packet payload data. The PID and CRC16 are inserted automatically in the transmitted data stream.

11.0 Register Set (Continued)

11.32 Receive Status Register x (RXS1, RXS2, RXS3)

bit 7	bit 6	bit 5	bit 4	bit 3	bit 2	bit 1	bit 0
RX_ERR	SETUP	TOGGLE	RX_LAST	RCOUNT[3:0]			
0	0	0	0	0	0	0	0
CoR	CoR	CoR HW	CoR	r			

The Receive Status Registers RXS1, RXS2, and RXS3 report the status of Receive Endpoint FIFOs 2, 4, and 6, respectively. The three registers follow the format shown above.

To allow the reception of a SETUP packet after the reception of a zero-length OUT/SETUP package, two copies of this register exist in hardware: one to hold the receive status of a zero-length package and another to hold the status of the following SETUP packet with data. If a zero-length package is followed by a SETUP package, the first read of this register indicates the status of the zero-length package and the second read indicates the status of the SETUP package.

11.32.1 RCOUNT

Receive FIFO Count. This field indicates the count of bytes presently in the Endpoint receive FIFO. If this count is greater than 15, a value of 15 is reported.

11.32.2 RX_LAST

Receive Last. This bit, when set, indicates that the COUNT field reflects the number of bytes remaining of the packet. This bit is cleared when the register is read.

11.32.3 TOGGLE

Toggle Data. This bit has two functions: one for ISO mode (EPCx.ISO set) and one for non-ISO mode (EPCx.ISO cleared).

For non-ISO operation, this bit is set if the last successfully received packet was received with a DATA1 PID. This bit is cleared if the last successfully received packet has a DATA0 PID. This bit is left unchanged on zero-length packets.

For ISO operation, this bit reflects the least significant bit of the frame number (FNL[0]) after a packet is successfully received for this endpoint.

This bit is reset to zero by reading the Receive Status Register.

11.32.4 SETUP

Setup Packet. This bit, when set, indicates that a setup packet has been received. This bit is cleared when the register is read.

11.32.5 RX_ERR

Receive Error. This bit is set in the event of a media error such as a bit stuffing or CRC Error. The firmware needs to flush the respective FIFO when this bit is set.

11.33 Receive Command Register x (RXC1, RXC2, RXC3)

bit 7	bit 6	bit 5	bit 4	bit 3	bit 2	bit 1	bit 0
res	RFWL[1:0]		res	FLUSH	IGN_SETUP	res	RX_EN
–	0	0	–	0	0	–	0
–	r/w		–	r/w	r/w	–	r/w

The Receive Command Registers RXC1, RXC2, and RXC3 allow control over Receive Endpoint FIFOs 2, 4, and 6, respectively. The three registers follow the format shown above.

11.33.1 RX_EN

Receive Enable. Out packet reception is disabled after the reception of every data packet or when a STALL handshake is returned in response to an OUT token. The RX_EN bit must be set to re-enable data reception. Reception of SETUP packets is always enabled. In the case of back-to-back SETUP packets (for a given endpoint) where a valid SETUP packet has been received with no other intervening non-SETUP tokens, the receive state machine discards the new SETUP packet and returns an ACK handshake. If any other cause prevents the receive state machine from accepting the SETUP packet, it must not generate a handshake.

11.33.2 IGN_SETUP

Ignore SETUP Tokens. When this bit is set, the endpoint ignores any SETUP tokens directed to its configured address.

11.33.3 FLUSH

Flush FIFO. Writing a 1 to this bit flushes all data from the corresponding receive FIFO, resets the Endpoint to IDLE, and resets both the FIFO read and write pointers. If the MAC is currently using the FIFO to receive data, flushing is delayed until after the reception is done.

11.33.4 RFWL[1:0]

Receive FIFO Warning Limit. These bits specify how many more bytes can be received in the respective FIFO before an overrun condition occurs. If the number of bytes subsequently received in the FIFO is greater than or equal to the selected warning limit, then the WARN bit in the FIFO Warning Event Register (FWEV.RXFW[x]) is set.

Table 7. Receive FIFO Warning Limits

RFWL [1:0]		Receive WARN Condition
0	0	Disable WARN bit warning for receive FIFO
0	1	4 more bytes can be received in FIFO
1	0	8 more bytes can be received in FIFO
1	1	16 more bytes can be received in FIFO

11.0 Register Set (Continued)

11.34 Receive Data Register x (RXD1, RXD2, RXD3)

bit 7	bit 6	bit 5	bit 4	bit 3	bit 2	bit 1	bit 0
RXFD							
-							
r							

The Receive Data Registers RXD1, RXD2, and RXD3 hold data from Receive Endpoint FIFOs 2, 4, and 6, respectively. The three registers follow the format shown above.

11.34.1 RXFD

Receive FIFO Data Byte. See "Receive Endpoint FIFO Operation (RXFIFO1, RXFIFO2, RXFIFO3)" on page 20 for a description of Endpoint FIFO data handling.

The firmware should expect to read only the packet payload data. The PID and CRC16 are removed automatically by the receive state machine.

Obsolete

12.0 Design considerations

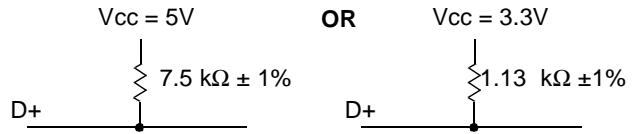
12.1 Targeted Applications

The USBN9602 is designed to be used in Full Speed USB operations. The target applications are self-powered devices like modems, printers, storage devices, imaging devices, etc.

The USBN9602 is not intended for use in low speed applications. While not normally intended for bus-powered operation, this is possible in some cases with the addition of external circuitry. Contact National Semiconductor for the application notes that describe bus-powered use.

12.2 3.3V Regulator Issues

To comply with the Agreed USB Device Working Group Review Requests - 110 dated July 7, 1997, a $7.5\text{ k}\Omega \pm 1\%$ resistor can be tied from D+ to Vcc, or use a $1.13\text{ k}\Omega \pm 1\%$ resistor tied to 3.3V.



12.3 Simplified Application Diagrams

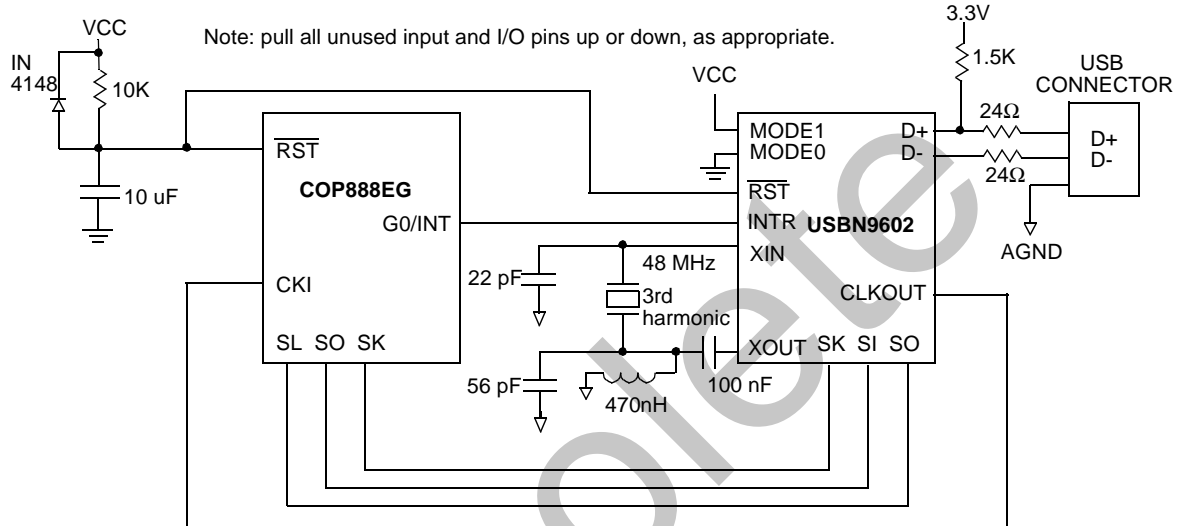


Figure 20. MICROWIRE Serial Interface

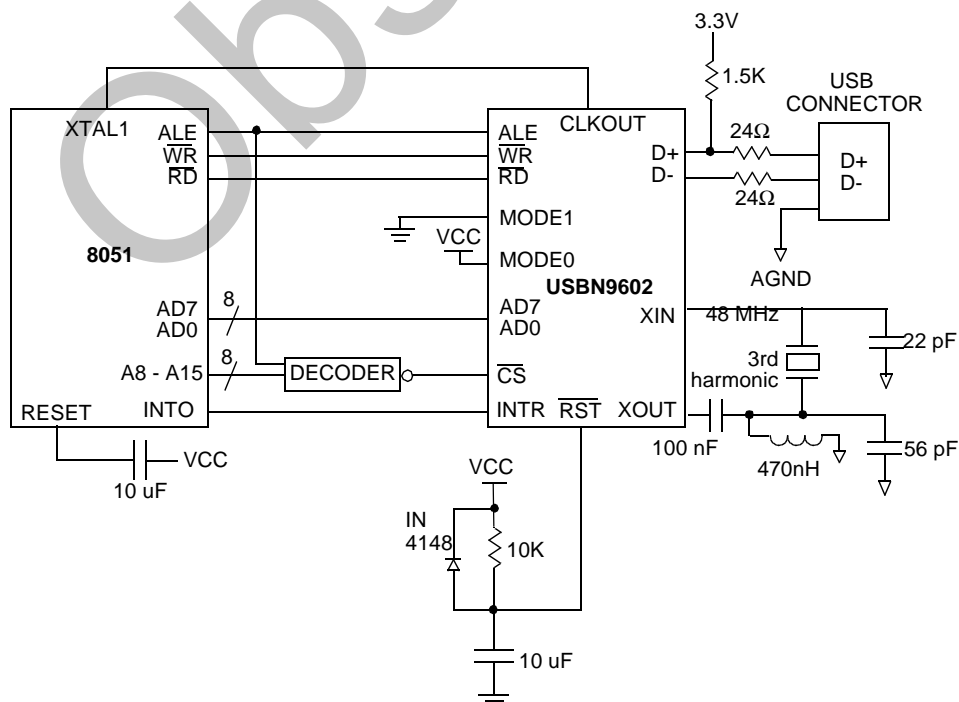


Figure 21. Multiplex Parallel Interface

13.0 Memory Map

Table 8 is a memory map showing the addresses of the USBN9602 registers.

Table 8. USBN9602 Memory Map

Address	Register Name	Register Function
0x00	MCNTRL	Main Control Register
0x01	CCONF	Clock Configuration Register
0x02	reserved	reserved
0x03	RID	Revision Identifier
0x04	FAR	Function Address Register
0x05	NFSR	Node Functional State Register
0x06	MAEV	Main Event Register
0x07	MAMSK	Main Mask Register
0x08	ALTEV	Alternate Event Register
0x09	ALTMSK	Alternate Mask Register
0x0A	TXEV	Transmit Event Register
0x0B	TXMSK	Transmit Mask Register
0x0C	RXEV	Receive Event Register
0x0D	RXMSK	Receive Mask Register
0x0E	NAKEV	NAK Event Register
0x0F	NAKMSK	NAK Mask Register
0x10	FWEV	FIFO Warning Event Register
0x11	FWMSK	FIFO Warning Mask Register
0x12	FNH	Frame Number Register High Byte
0x13	FNL	Frame Number Register Low Byte
0x14	DMA CNTRL	DMA Control Register
0x15-0x1F	reserved	reserved
0x20	EPC0	Endpoint Control Register 0
0x21	TXD0	Transmit Data Register 0
0x22	TXS0	Transmit Status Register 0
0x23	TXC0	Transmit Command Register 0
0x24	reserved	reserved
0x25	RXD0	Receive Data Register 0
0x26	RXS0	Receive Status Register 0
0x27	RXC0	Receive Command Register 0
0x28	EPC1	Endpoint Control Register 1
0x29	TXD1	Transmit Data Register 1
0x2A	TXS1	Transmit Status Register 1

Address	Register Name	Register Function
0x2B	TXC1	Transmit Command Register 1
0x2C	EPC2	Endpoint Control Register 2
0x2D	RXD1	Receive Data Register 1
0x2E	RXS1	Receive Status Register 1
0x2F	RXC1	Receive Command Register 1
0x30	EPC3	Endpoint Control Register 3
0x31	TXD2	Transmit Data Register 2
0x32	TXS2	Transmit Status Register 2
0x33	TXC2	Transmit Command Register 2
0x34	EPC4	Endpoint Control Register 4
0x35	RXD2	Receive Data Register 2
0x36	RXS2	Receive Status Register 2
0x37	RXC2	Receive Command Register 2
0x38	EPC5	Endpoint Control Register 5
0x39	TXD3	Transmit Data Register 3
0x3A	TXS3	Transmit Status Register 3
0x3B	TXC3	Transmit Command Register 3
0x3C	EPC6	Endpoint Control Register 6
0x3D	RXD3	Receive Data Register 3
0x3E	RXS3	Receive Status Register 3
0x3F	RXC3	Receive Command Register 3

14.0 Electrical Characteristics

Absolute Maximum Ratings

Absolute Maximum Ratings indicate limits beyond which damage to the device may occur.

Supply Voltage	-0.5V to +7.0V
DC Input Voltage	-0.5V to $V_{CC} + 0.5V$
DC Output Voltage	-0.5V to $V_{CC} + 0.5V$
Storage Temperature	-65°C to +150°C
Lead Temperature (Soldering 10 seconds)	260°C
ESD Rating ¹	2 kV

1. Human body model; 100pF discharged through a 1.5 kΩ resistor.

DC Electrical Characteristics (4.5V < V_{CC} < 5.5V¹, 0°C < T_A < +70°C, unless otherwise specified)

Symbol	Parameter	Condition	Min	Typ.	Max	Units
OPERATING RATINGS						
I_{CC1}	Operating Supply Current			30	40	mA
I_{CC2}	Standby Supply Current	suspend mode: clock off, no accesses.		5	10	mA
USB SIGNALS						
V_{DI}	Differential Input Sensitivity	(D+) – (D–)	-0.2		0.2	V
V_{CM}	Differential Common Mode Range		0.8		2.5	V
V_{SE}	Single Ended Receiver Threshold		0.8		2.0	V
V_{OL}	Output Low Voltage	$R_L = 1.5k$ to 3.6V			0.3	V
V_{OH}	Output High Voltage	$R_L = 15k$ to GND	2.8		3.6	V
I_{OZ}	TRI-STATE Data Line Leakage	$0V < V_{IN} < 3.3V$	-10		10	μA
C_{TRN}	Transceiver Capacitance				20	pF
DIGITAL INPUTS/OUTPUTS (RESET, MODE, CLKOUT, AD0-AD7, WR, RD, A0)						
V_{OH}	Output High Voltage	$I_{OH} = -6mA$	2.4			V
V_{OL}	Output Low Voltage	$I_{OL} = 6mA$			0.4	V
V_{IH}	Input High Voltage		2.0			V
V_{IL}	Input Low Voltage				0.8	V
I_{IL}	Input Low Current	$V_{IN} = GND$			-10	μA
I_{IH}	Input High Current	$V_{IN} = V_{CC}$			10	μA
I_{OZ}	TRI-STATE Leakage ²	$V_{OUT} = V_{CC}$ or GND	-10		10	μA

14.0 Electrical Characteristics (Continued)

DC Electrical Characteristics (4.5V < V_{CC} < 5.5V¹, 0°C < T_A < +70°C, unless otherwise specified)

Symbol	Parameter	Condition	Min	Typ.	Max	Units
OSCILLATOR INPUT/OUTPUT (XIN, XOUT)						
V _{IH}	Input High Switching Level ³		4.5			V
V _{IL}	Input Low Switching Level ³				1.35	V

1. V_{CC} should be between 4.75V and 5.25V if the internal 3.3V regulator is used. If external 3.3V regulator is used, voltage on the V3.3 pin should be between 3.15 and 3.6V and V_{CC} remains between 4.5V and 5.5V.
2. Not testable due to 15k pull-down resistor per USB Specification.
3. When XIN is used as an input for an external oscillator, the duty cycle must be between 45% and 55%.

AC Electrical Characteristics (4.5V < V_{CC} < 5.5V¹, 0°C < T_A < +70°C, unless otherwise specified)

Symbol	Parameter	Condition ^{2,3}	Min	Typ	Max	Units
FULL SPEED SIGNALING (D+, D-)						
T _R	Rise Time	C _L = 50pF	4		20	nS
T _F	Fall Time	C _L = 50pF	4		20	nS
T _{RFM}	Rise / Fall Time Matching (T _R / T _F)	C _L = 50pF	90		110	%
V _{CRS}	Output Signal Crossover Voltage ⁴	C _L = 50pF	1.3		2.0	V
Z _{DRV}	Driver Output Impedance (Single Ended)	C _L = 50pF ⁵	28		43	Ω
CLOCK OUT CHARACTERISTICS (CLKOUT)						
T _R	Output Rise Time	C _L = 50pF ⁶			15	nS
T _F	Output Fall Time	C _L = 50pF ⁶			15	nS
T _{CYCLE}	Output Duty Cycle		45		55	%

1. V_{CC} should be between 4.75V and 5.25V if the internal 3.3V regulator is used. If external 3.3V regulator is used, voltage on the V3.3 pin should be between 3.15 and 3.6V and V_{CC} remains between 4.5V and 5.5V.
2. Testing will be centered around 50 Ω, not 45 Ω ± 15% as specified in USB Specification Revision 1.0.
3. Waveforms are measured from 10% to 90%.
4. Not testable.
5. Includes external resistor of 18 Ω.
6. Fout < 48 MHz.

14.0 Electrical Characteristics (Continued)

14.1 Parallel Interface Timing (MODE[1:0] = 00_b)

INTERFACE TIMING (MODE = 0) (4.5V < V_{CC} < 5.5V, 0°C < T_A < +70°C, unless otherwise specified)

Symbol	Parameter	Condition	Min	Typ	Max	Units
t _{CS}	Chip Select Setup Time	C _L 50pF	0			nS
t _{CH}	Chip Select Hold Time	C _L 50pF	5			nS
t _{AS}	Address Setup Time	C _L 50pF	0			nS
t _{AH}	Address Hold Time	C _L 50pF	0			nS
t _{RW}	Read Pulse Width ¹	C _L 50pF	1/CKI			nS
t _{RC}	Read Cycle Time ^{2, 3}	C _L 50pF	3/MCLK			nS
t _{RDV}	Data output Valid after Read Low	C _L 50pF		20	30	nS
t _{RDZ}	Data output Hold after Read High	C _L 50pF	0		8	nS
t _{WW}	Write Pulse Width ¹	C _L 50pF	1/CKI			nS
t _{WC}	Write Cycle Time ^{2,3}	C _L 50pF	3/MCLK			nS
t _{DS}	Data input Setup Time	C _L 50pF	25			nS
t _{DH}	Data input Hold Time	C _L 50pF	5			nS

1. Clock Input: CKI = 48MHz on this device.
2. Memory Clock: MCLK = CKI/4 = 12 MHz.
3. Time until next Read or Write occurs.

14.0 Electrical Characteristics (Continued)

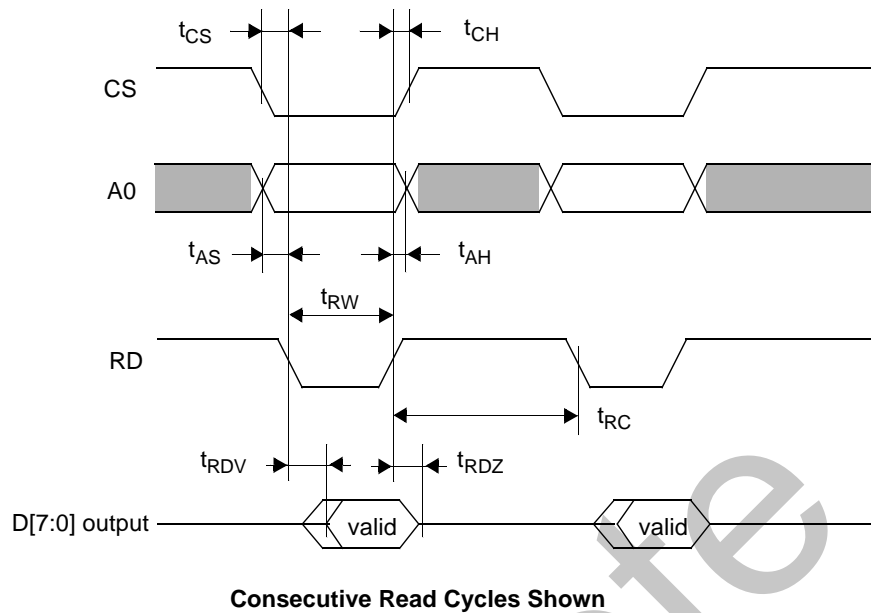


Figure 22. Non-Multiplexed Mode Read Timing

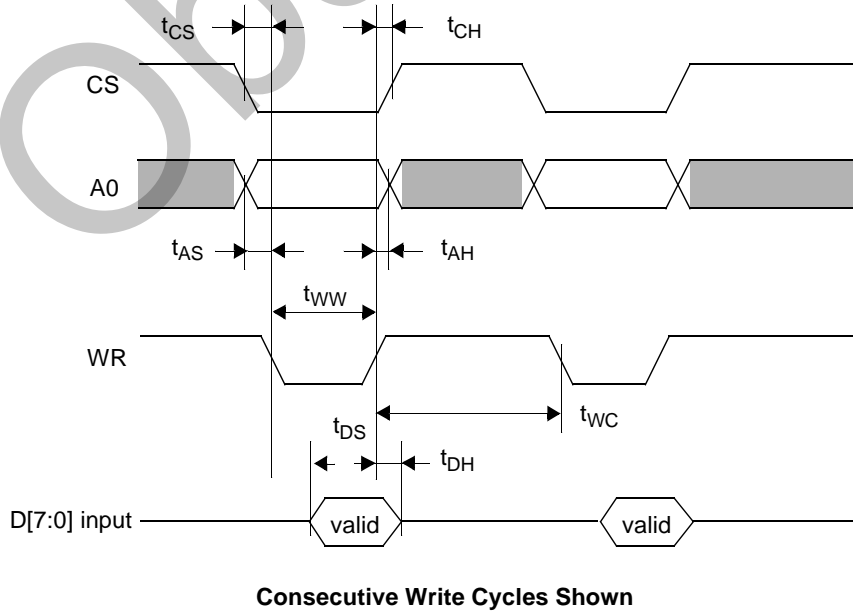


Figure 23. Non-Multiplexed Mode Write Timing

14.0 Electrical Characteristics (Continued)

14.2 Parallel Interface Timing (MODE[1:0] = 01_b)

INTERFACE TIMING (MODE = 1) ($4.5V < V_{CC} < 5.5V$, $0^{\circ}C < T_A < +70^{\circ}C$, unless otherwise specified)

Symbol	Parameter	Condition	Min	Typ	Max	Units
t_{AH}	ALE High Time ¹	C_L 50pF	1/CKI			nS
t_{CLAL}	Chip Select Low to ALE Low	C_L 50pF	1/CKI			nS
t_{AVAL}	Address Valid to ALE Low	C_L 50pF	10			nS
t_{AHAL}	Address Hold after ALE Low	C_L 50pF	10			nS
t_{ALRL}	ALE Low to RD Low ²	C_L 50pF	3/MCLK			nS
t_{RLDV}	Read Low to Data Valid	C_L 50pF		20	30	nS
t_{RHDZ}	Data Hold after Read High	C_L 50pF	0		8	nS
t_{RL}	Read Pulse Width	C_L 50pF	1/CKI			nS
t_{WHAH}	Write High to next ALE High	C_L 50pF	3/MCLK			nS
t_{WHCH}	Write High to CS High	C_L 50pF	10			nS
t_{WL}	Write Pulse Width	C_L 50pF	1/CKI			nS
t_{DSWH}	Data Setup to WR High	C_L 50pF	25			nS
t_{DHWL}	Data Hold after WR High	C_L 50pF	15			nS

1. Clock Input: CKI = 48 MHz on this device.
2. Memory Clock: MCLK = CKI/4 = 12 MHz.

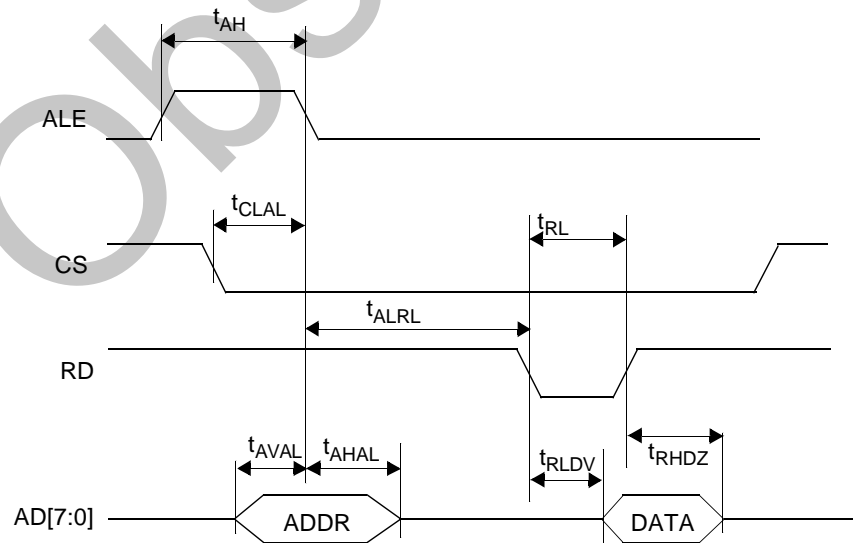


Figure 24. Multiplexed Mode Interface Read Timing

14.0 Electrical Characteristics (Continued)

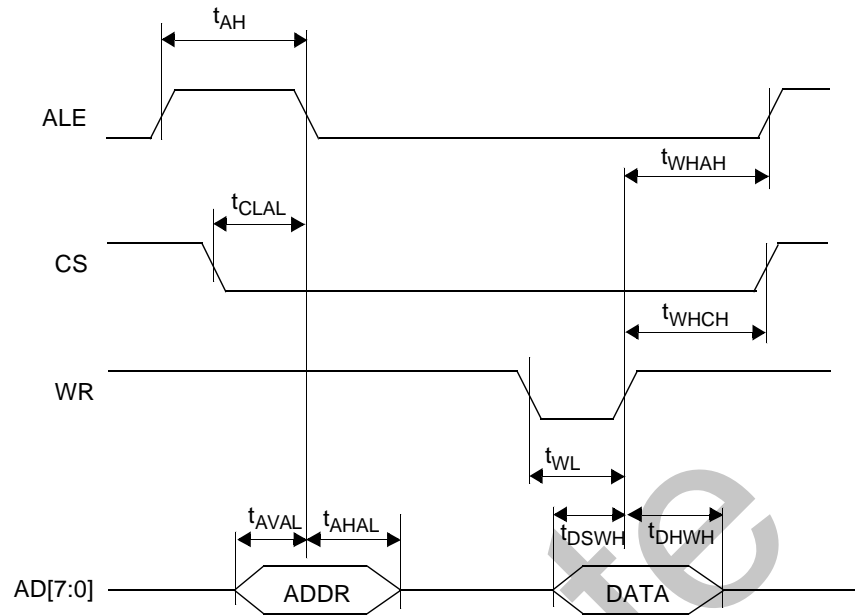


Figure 25. Multiplexed Mode Interface Write Timing

14.0 Electrical Characteristics (Continued)

14.3 DMA Support Timing

DMA TIMING ($4.5V < V_{CC} < 5.5V$, $0^{\circ}C < T_A < +70^{\circ}C$, unless otherwise specified)

Symbol	Parameter	Condition	Min	Typ	Max	Units
t_{RHAL}	Request High to ACK Low	C_L 50pF	0			nS
t_{ALWL}	ACK low to Write Low	C_L 50pF	0			nS
t_{WW}	Write Pulse Width	C_L 50pF	$1/CKI$			nS
t_{WRL}	Write Low to Request Low	C_L 50pF		20		nS
t_{DWR}	DMA Write Recovery ¹	C_L 50pF			$2/MCLK$	nS
t_{ALRL}	ACK low to Read Low	C_L 50pF	0			nS
t_{RW}	Read Pulse Width	C_L 50pF	$1/CKI$			nS
t_{RRL}	Read Low to Request Low	C_L 50pF		20		nS
t_{DRR}	DMA Read Recovery ¹	C_L 50pF			$2/MCLK$	nS

1. Applicable if DMA transfer is not interrupted by read or write. If the transfer is interrupted, two additional MCLK cycles are used.

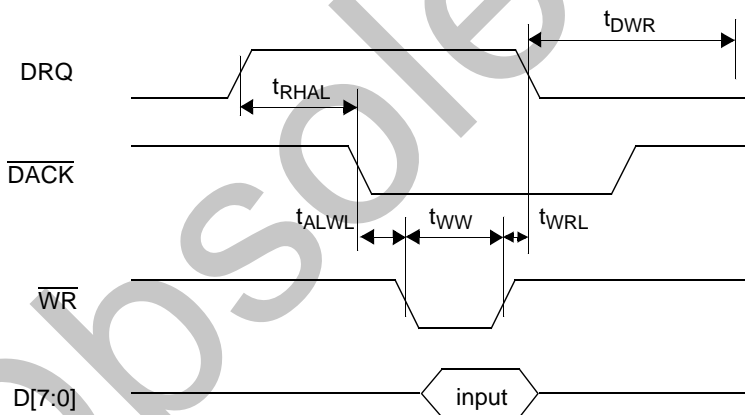


Figure 26. DMA Write to USBN9602

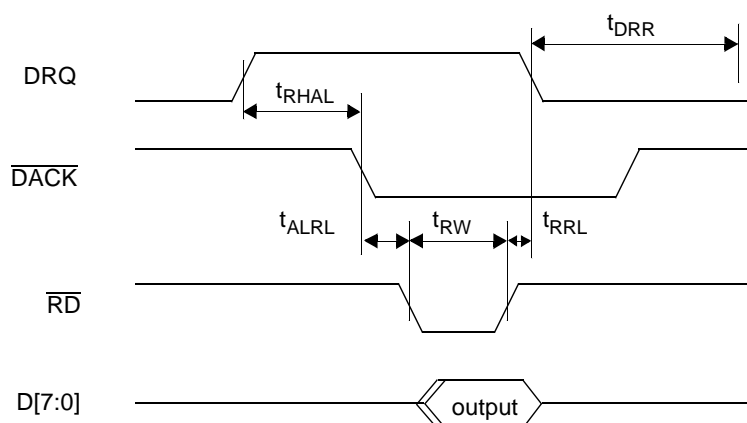


Figure 27. DMA Read to USBN9602

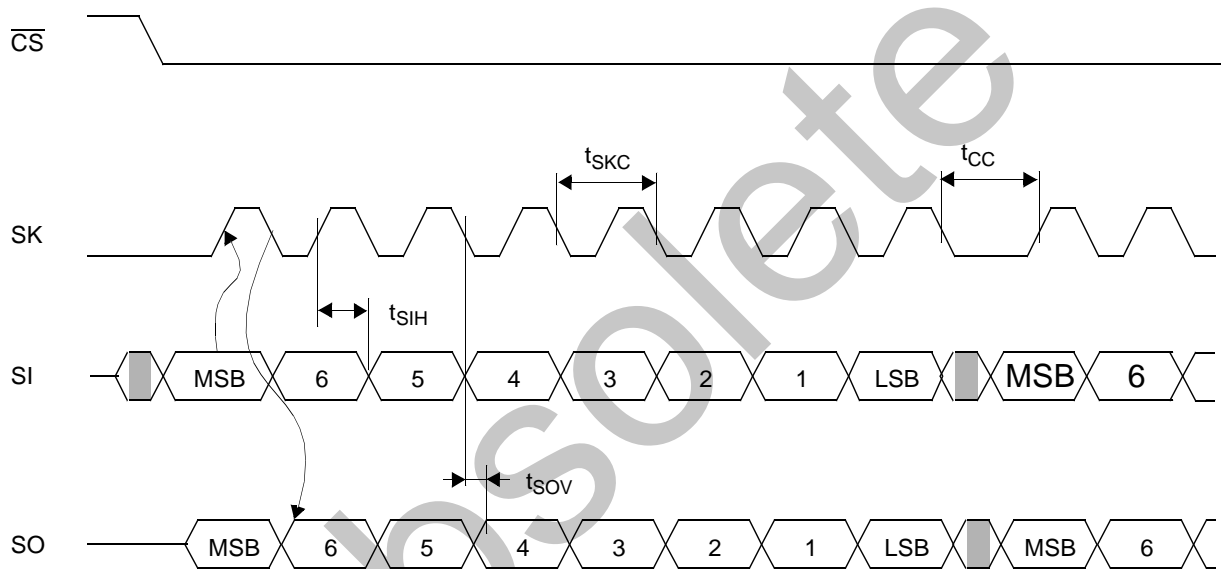
14.0 Electrical Characteristics (Continued)

14.4 MICROWIRE Interface Timing (MODE[1:0] = 10_b)

INTERFACE TIMING (MODE = 2) ($4.5V < V_{CC} < 5.5V$, $0^{\circ}C < T_A < +70^{\circ}C$, unless otherwise specified)

Symbol	Parameter	Condition	Min	Typ	Max	Units
t_{SKC}	SK Cycle Time ¹	C_L 50pF	4/MCLK			nS
t_{CC}	Time between two consecutive 8 clock cycles ¹	C_L 50pF	4/MCLK			nS
t_{SIH}	Serial Input Hold Time	C_L 50pF	3/MCLK			nS
t_{SOV}	Serial Output Valid Time	C_L 50pF			3/MCLK	nS

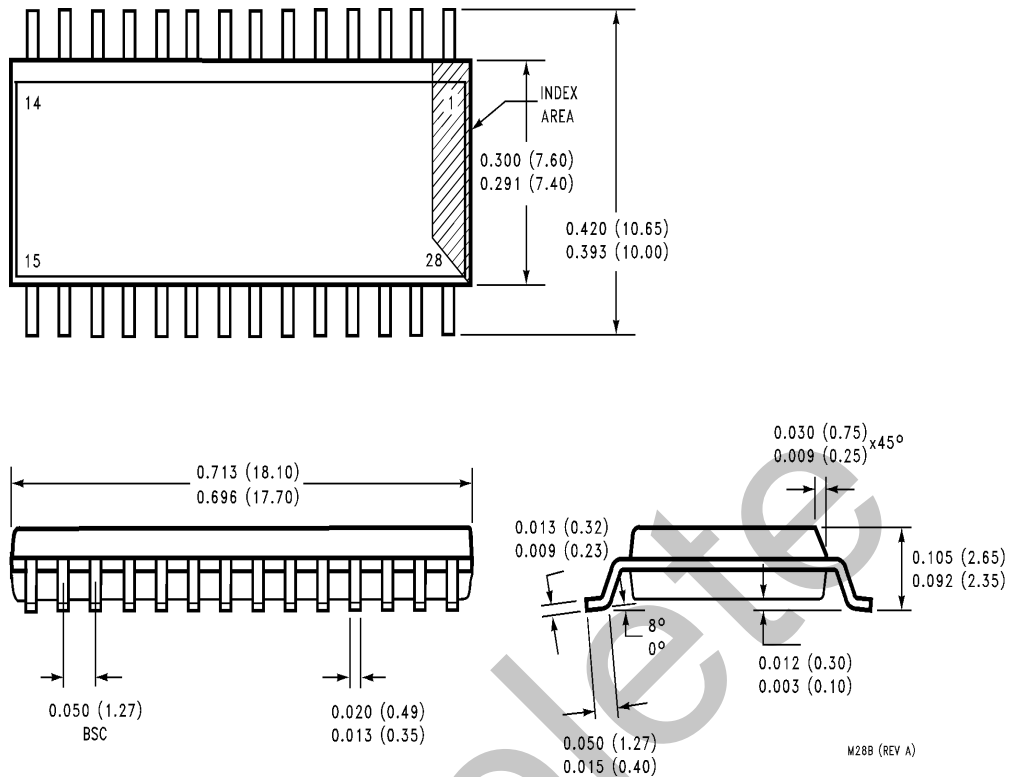
1. Memory Clock: MCLK = CKI/4 = 12 MHz.



NOTE: The first eight SK cycles shift out the current contents of the shift register.

Figure 28. MICROWIRE Interface Timing

15.0 Physical Dimensions inches (millimeters) unless otherwise noted



**Molded SO Wide Body Package (WM)
Order Number USBN9602-28M
See NS Package Number M28B**

LIFE SUPPORT POLICY

NATIONAL'S PRODUCTS ARE NOT AUTHORIZED FOR USE AS CRITICAL COMPONENTS IN LIFE SUPPORT DEVICES OR SYSTEMS WITHOUT THE EXPRESS WRITTEN APPROVAL OF THE PRESIDENT OF NATIONAL SEMICONDUCTOR CORPORATION. As used herein:

1. Life support devices or systems are devices or systems which, (a) are intended for surgical implant into the body, or (b) support or sustain life, and whose failure to perform, when properly used in accordance with instructions for use provided in the labeling, can be reasonably expected to result in a significant injury to the user.
2. A critical component is any component of a life support device or system whose failure to perform can be reasonably expected to cause the failure of the life support device or system, or to affect its safety or effectiveness.



National Semiconductor Corporation
Tel: 1-800-272-9959
Fax: 1-800-737-7018
Email: support@nsc.com

National Semiconductor Europe
Fax: (+49) 0-180-530 85 86
Email: europe.support@nsc.com
Deutsch Tel: (+49) 0-180-530 85 85
English Tel: (+49) 0-180-532 78 32

National Semiconductor Asia Pacific Customer Response Group
Tel: 65-254-4466
Fax: 65-250-4466
Email: sea.support@nsc.com

National Semiconductor Japan Ltd.
Tel: 81-3-5620-6175
Fax: 81-3-5620-6179

www.national.com

IMPORTANT NOTICE

Texas Instruments Incorporated and its subsidiaries (TI) reserve the right to make corrections, modifications, enhancements, improvements, and other changes to its products and services at any time and to discontinue any product or service without notice. Customers should obtain the latest relevant information before placing orders and should verify that such information is current and complete. All products are sold subject to TI's terms and conditions of sale supplied at the time of order acknowledgment.

TI warrants performance of its hardware products to the specifications applicable at the time of sale in accordance with TI's standard warranty. Testing and other quality control techniques are used to the extent TI deems necessary to support this warranty. Except where mandated by government requirements, testing of all parameters of each product is not necessarily performed.

TI assumes no liability for applications assistance or customer product design. Customers are responsible for their products and applications using TI components. To minimize the risks associated with customer products and applications, customers should provide adequate design and operating safeguards.

TI does not warrant or represent that any license, either express or implied, is granted under any TI patent right, copyright, mask work right, or other TI intellectual property right relating to any combination, machine, or process in which TI products or services are used. Information published by TI regarding third-party products or services does not constitute a license from TI to use such products or services or a warranty or endorsement thereof. Use of such information may require a license from a third party under the patents or other intellectual property of the third party, or a license from TI under the patents or other intellectual property of TI.

Reproduction of TI information in TI data books or data sheets is permissible only if reproduction is without alteration and is accompanied by all associated warranties, conditions, limitations, and notices. Reproduction of this information with alteration is an unfair and deceptive business practice. TI is not responsible or liable for such altered documentation. Information of third parties may be subject to additional restrictions.

Resale of TI products or services with statements different from or beyond the parameters stated by TI for that product or service voids all express and any implied warranties for the associated TI product or service and is an unfair and deceptive business practice. TI is not responsible or liable for any such statements.

TI products are not authorized for use in safety-critical applications (such as life support) where a failure of the TI product would reasonably be expected to cause severe personal injury or death, unless officers of the parties have executed an agreement specifically governing such use. Buyers represent that they have all necessary expertise in the safety and regulatory ramifications of their applications, and acknowledge and agree that they are solely responsible for all legal, regulatory and safety-related requirements concerning their products and any use of TI products in such safety-critical applications, notwithstanding any applications-related information or support that may be provided by TI. Further, Buyers must fully indemnify TI and its representatives against any damages arising out of the use of TI products in such safety-critical applications.

TI products are neither designed nor intended for use in military/aerospace applications or environments unless the TI products are specifically designated by TI as military-grade or "enhanced plastic." Only products designated by TI as military-grade meet military specifications. Buyers acknowledge and agree that any such use of TI products which TI has not designated as military-grade is solely at the Buyer's risk, and that they are solely responsible for compliance with all legal and regulatory requirements in connection with such use.

TI products are neither designed nor intended for use in automotive applications or environments unless the specific TI products are designated by TI as compliant with ISO/TS 16949 requirements. Buyers acknowledge and agree that, if they use any non-designated products in automotive applications, TI will not be responsible for any failure to meet such requirements.

Following are URLs where you can obtain information on other Texas Instruments products and application solutions:

Products

Audio	www.ti.com/audio
Amplifiers	amplifier.ti.com
Data Converters	dataconverter.ti.com
DLP® Products	www.dlp.com
DSP	dsp.ti.com
Clocks and Timers	www.ti.com/clocks
Interface	interface.ti.com
Logic	logic.ti.com
Power Mgmt	power.ti.com
Microcontrollers	microcontroller.ti.com
RFID	www.ti-rfid.com
OMAP Mobile Processors	www.ti.com/omap
Wireless Connectivity	www.ti.com/wirelessconnectivity

Applications

Communications and Telecom	www.ti.com/communications
Computers and Peripherals	www.ti.com/computers
Consumer Electronics	www.ti.com/consumer-apps
Energy and Lighting	www.ti.com/energy
Industrial	www.ti.com/industrial
Medical	www.ti.com/medical
Security	www.ti.com/security
Space, Avionics and Defense	www.ti.com/space-avionics-defense
Transportation and Automotive	www.ti.com/automotive
Video and Imaging	www.ti.com/video

TI E2E Community Home Page

e2e.ti.com

Mailing Address: Texas Instruments, Post Office Box 655303, Dallas, Texas 75265
Copyright © 2011, Texas Instruments Incorporated