

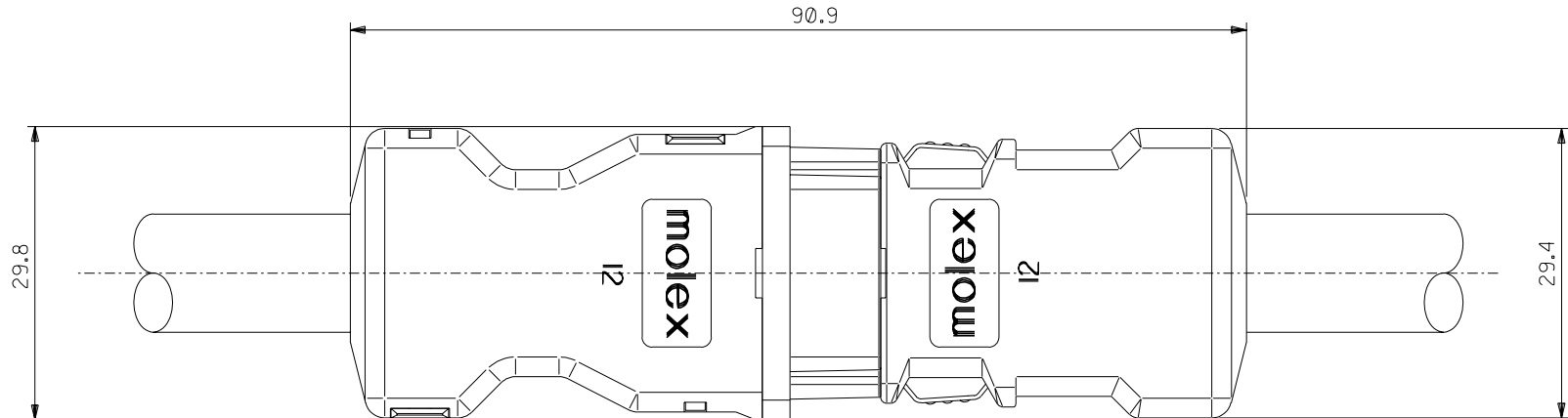
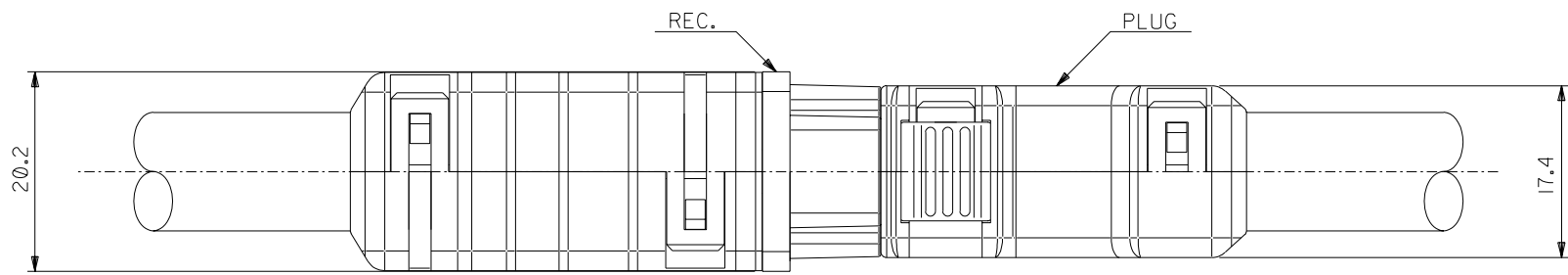
敬合図
CROSS-SECTION VIEW OF MATED CONNECTOR

DO NOT SCALE DRAWING

EC NO. DRWN: CHK: APPR:	EC NO. DRWN: CHK: APPR:	EC NO. DRWN: CHK: APPR:	REVISED '02/04/15	MATERIAL 材料	GENERAL TOLERANCES: (UNLESS SPECIFIED) 一般公差	SCALE	DESIGN UNITS	THIRD ANGLE PROJECTION	DIMENSIONS:		SHT	REV
			EC NO. J2002-2601 DRWN: S.AKIYAMA CHK: J.MIYAZAWA APPR: YO.IITO			10 UNDER 未滿	2-1		<input checked="" type="checkbox"/> mm <input type="checkbox"/> INCH	<input type="checkbox"/> mm <input type="checkbox"/> INCH	<input type="checkbox"/> mm <input type="checkbox"/> INCH	<input checked="" type="checkbox"/> mm <input type="checkbox"/> INCH
A	0	0	RELEASED '01/10/12	FINISH 仕上げ	SEE NOTES	10 OVER 以上	30 UNDER 未滿	TITLE:	COMPACT ROBOT CONN. POWER REC. PIN HS'G ASS'Y			
			EC NO. J2002-0854 DRWN: S.AKIYAMA CHK: J.MIYAZAWA APPR: YO.IITO			30 OVER 以上	±0.2					
				WIRE RANGE 適用配線範囲		ANGLE 角度	±3°	CAD FILENAME 55890003.S02	MATERIAL NO. SEE CHART	DRAWING NO. SD-55890-003	SHEET NO. 2 OF 4	SIZE B
THIS DRAWING CONTAINS INFORMATION THAT IS PROPRIETARY TO MOLEX INCORPORATED AND SHOULD NOT BE USED WITHOUT WRITTEN PERMISSION.												EN-02J(097) MXJ-54

55890003.S02

DWG. NO.
SD-55890-003



嵌合図 (中継タイプ)
CROSS-SECTION VIEW OF MATED CONNECTOR
(WIRE TO WIRE TYPE)

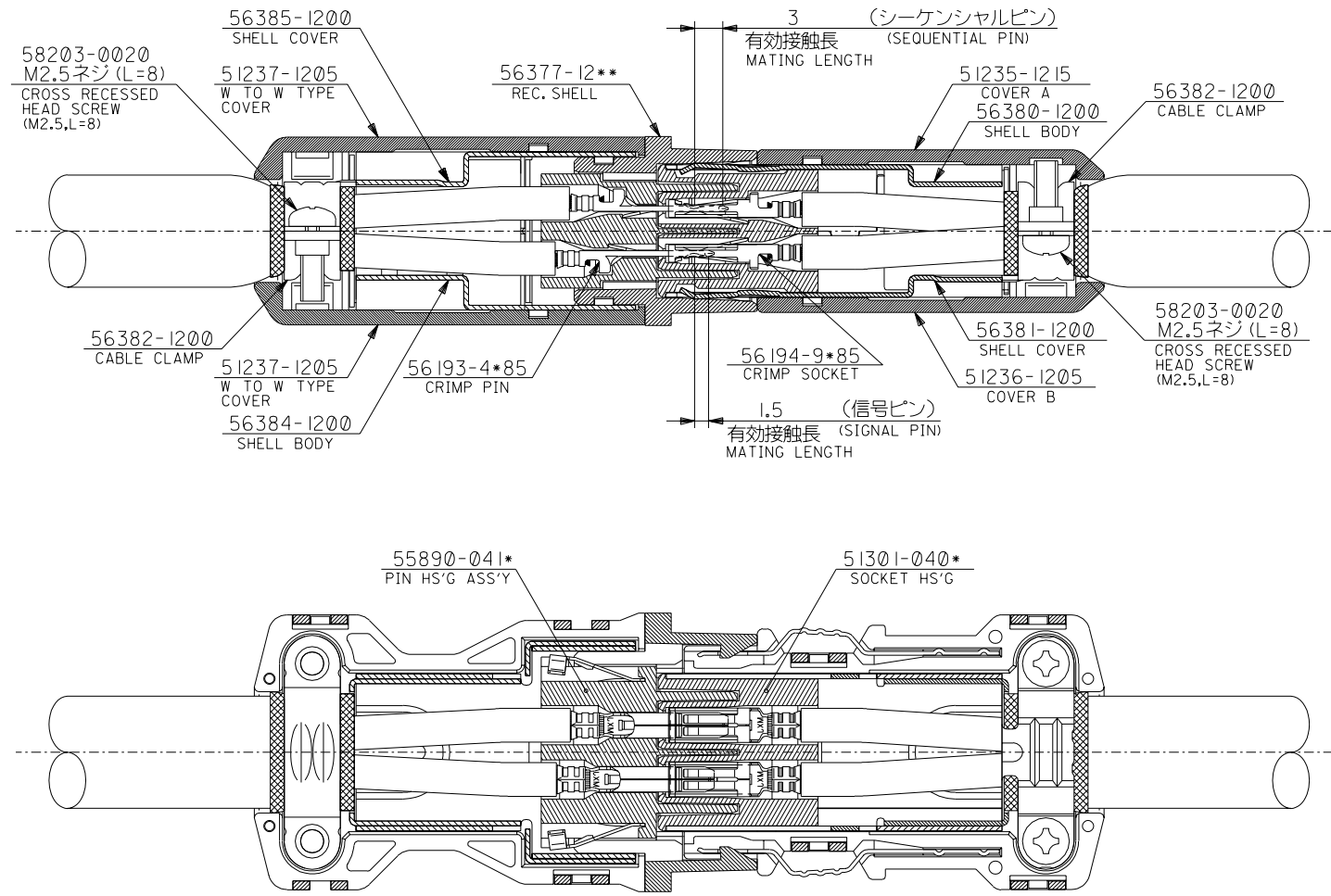
DO NOT SCALE DRAWING

EC NO. DRWN: CHK: APPR:	EC NO. DRWN: CHK: APPR:	EC NO. DRWN: CHK: APPR:	REVISED '02/04/15	MATERIAL 材料	GENERAL TOLERANCES: (UNLESS SPECIFIED) 一般公差	SCALE	DESIGN UNITS	THIRD ANGLE PROJECTION	DIMENSIONS:		SHT	REV
			EC NO. J2002-2601 DRWN: S.AKIYAMA CHK: J.MIYAZAWA APPR: YO.ITO			10 UNDER 未滿	2-1		<input type="checkbox"/> mm <input type="checkbox"/> INCH	<input checked="" type="checkbox"/> mm <input type="checkbox"/> ONLY		REVISE ON CAD ONLY
A	0	0	RELEASED '01/10/12 EC NO. J2002-0854 DRWN: S.AKIYAMA CHK: J.MIYAZAWA APPR: YO.ITO	FINISH 仕上げ	10 OVER 30 UNDER 以上 未滿	±0.25	DRAWN BY & DATE <i>S. Akiyama</i> '01/10/11	TITLE: COMPACT ROBOT CONN. POWER REC. PIN HS'G ASS'Y				
				WIRE RANGE 適用 配線 範囲	30 OVER 以上	±0.3	CHECKED BY & DATE <i>J. Morawo</i>	MOLEX INCORPORATED				
				INS. RANGE 被覆 外径	ANGLE 角度	±3°	APPROVED BY & DATE <i>Y. Ito</i>	CAD FILENAME 55890003.S03	MATERIAL NO. SEE CHART	DRAWING NO. SD-55890-003	SHEET NO. 3 OF 4	SIZE B

THIS DRAWING CONTAINS INFORMATION THAT IS PROPRIETARY TO MOLEX INCORPORATED AND SHOULD NOT BE USED WITHOUT WRITTEN PERMISSION.

A
55890003.S03

DWG. NO. SD-55890-003



嵌合図 (中継タイプ)
CROSS-SECTION VIEW OF MATED CONNECTOR
(WIRE TO WIRE TYPE)

DO NOT SCALE DRAWING

EC NO. DRWN: CH'K: APPR:		EC NO. DRWN: CH'K: APPR:		EC NO. DRWN: CH'K: APPR:		REVISED '02/04/15 EC NO. J2002-2601 DRWN: S.AKIYAMA CH'K: J.MIYAZAWA APPR: YO.ITO		EC NO. J2002-0854 DRWN: S.AKIYAMA CH'K: J.MIYAZAWA APPR: YO.ITO		MATERIAL 材料		GENERAL TOLERANCES: (UNLESS SPECIFIED) 一般公差		SCALE 2-1		DESIGN UNITS <input checked="" type="checkbox"/> mm <input type="checkbox"/> INCH		THIRD ANGLE PROJECTION		DIMENSIONS: <input type="checkbox"/> mm <input type="checkbox"/> INCH <input checked="" type="checkbox"/> mm ONLY		SHT REV			
						DESCRIPTION		注記参照 SEE NOTES		FINISH 仕上げ		10 UNDER 未満 ±0.2		DRAWN BY & DATE S. Akiyama '01/10/11		TITLE: COMPACT ROBOT CONN. POWER REC. PIN HS'G ASS'Y									
						WIRE RANGE 適用配線範囲		#		10 OVER 30 UNDER 未満 ±0.25		30 OVER 以上 ±0.3		CHECKED BY & DATE J. Morawo		Molex MOLEX INCORPORATED									
						INS. RANGE 被覆外径		#		ANGLE 角度 ±3°		CAD FILENAME 55890003.S04		APPROVED BY & DATE Y.Oto		MATERIAL NO. SEE CHART		DRAWING NO. SD-55890-003		SHEET NO. 4 OF 4		SIZE B			
THIS DRAWING CONTAINS INFORMATION THAT IS PROPRIETARY TO MOLEX INCORPORATED AND SHOULD NOT BE USED WITHOUT WRITTEN PERMISSION.																									

55890003.S04