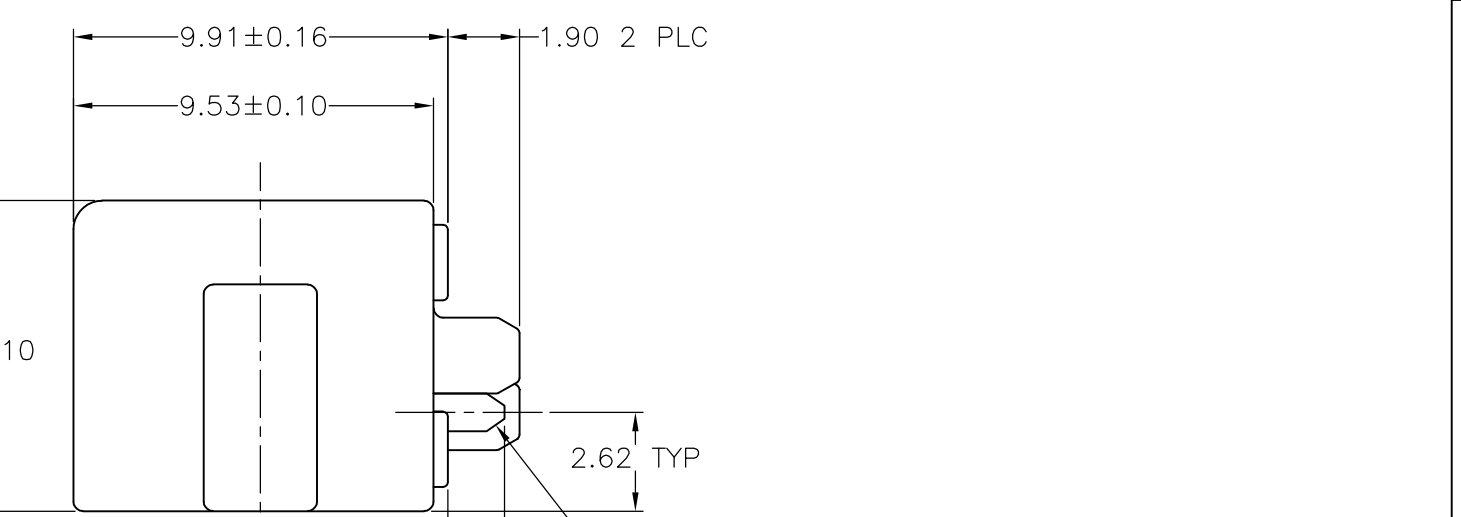
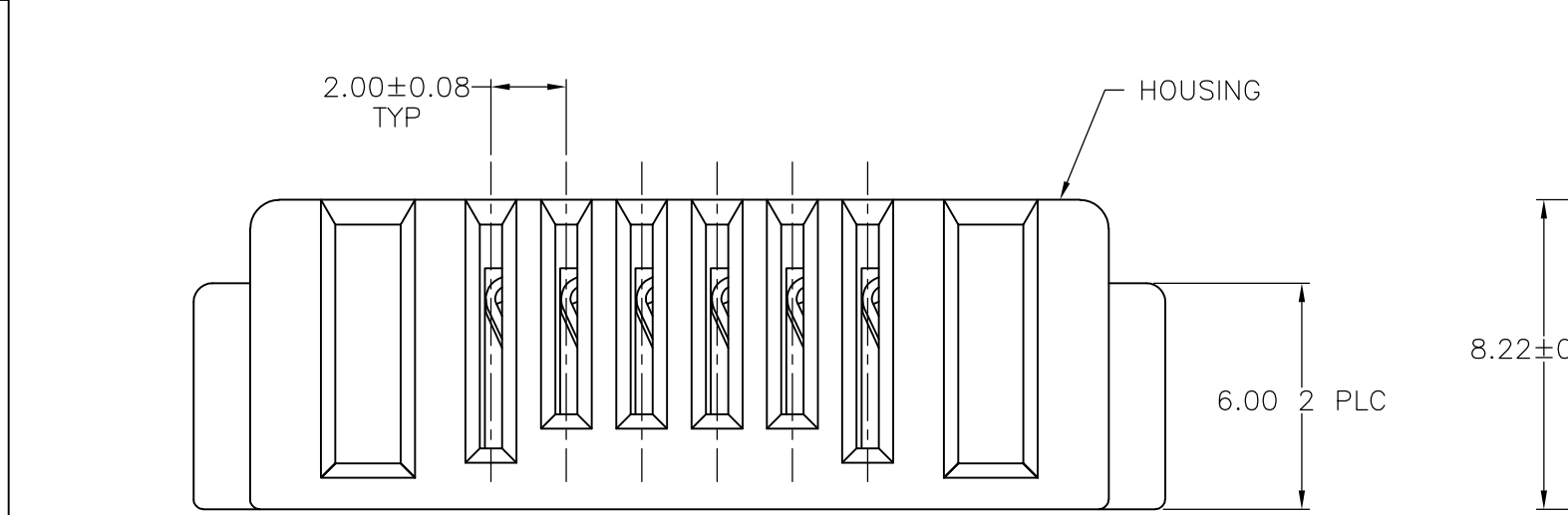
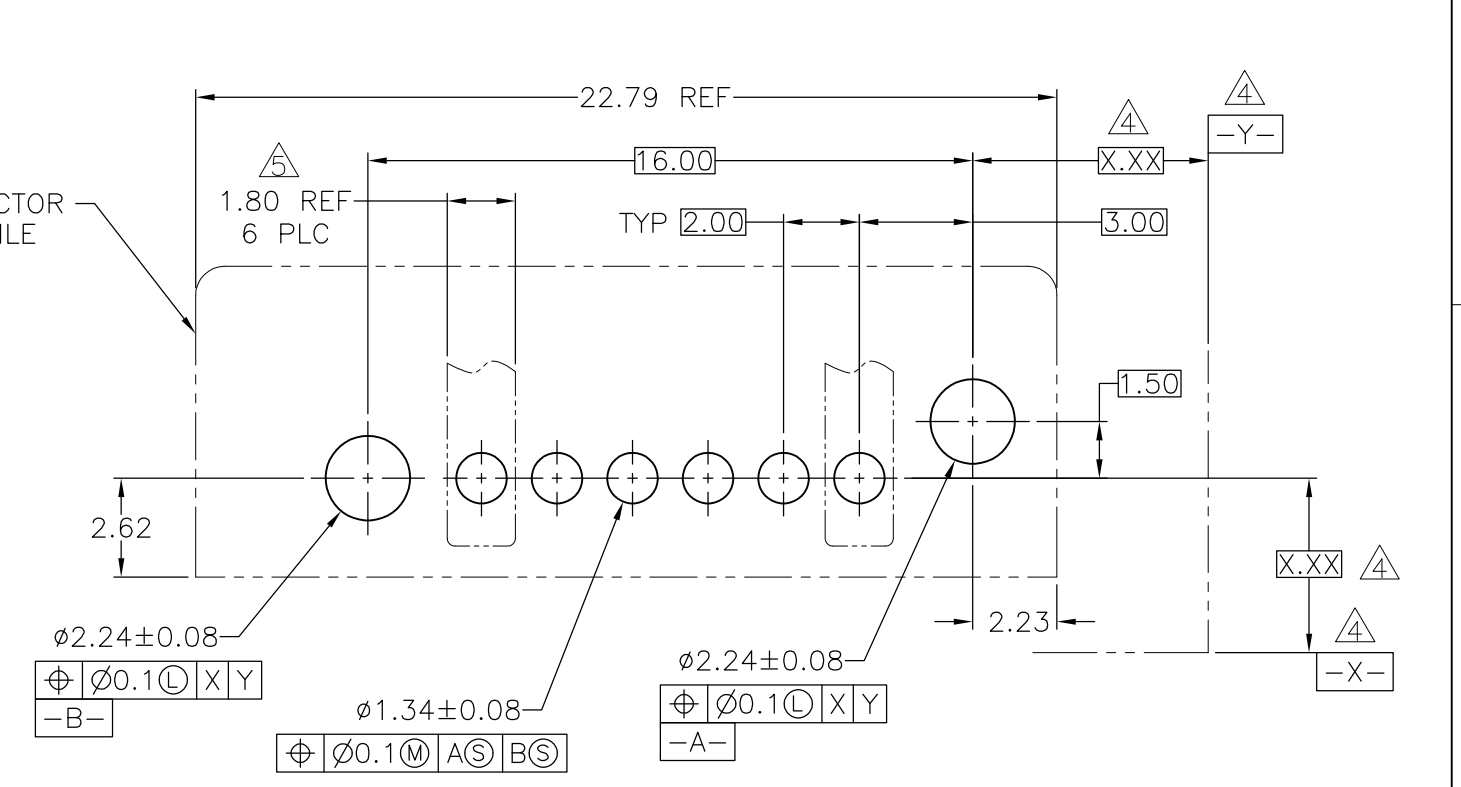
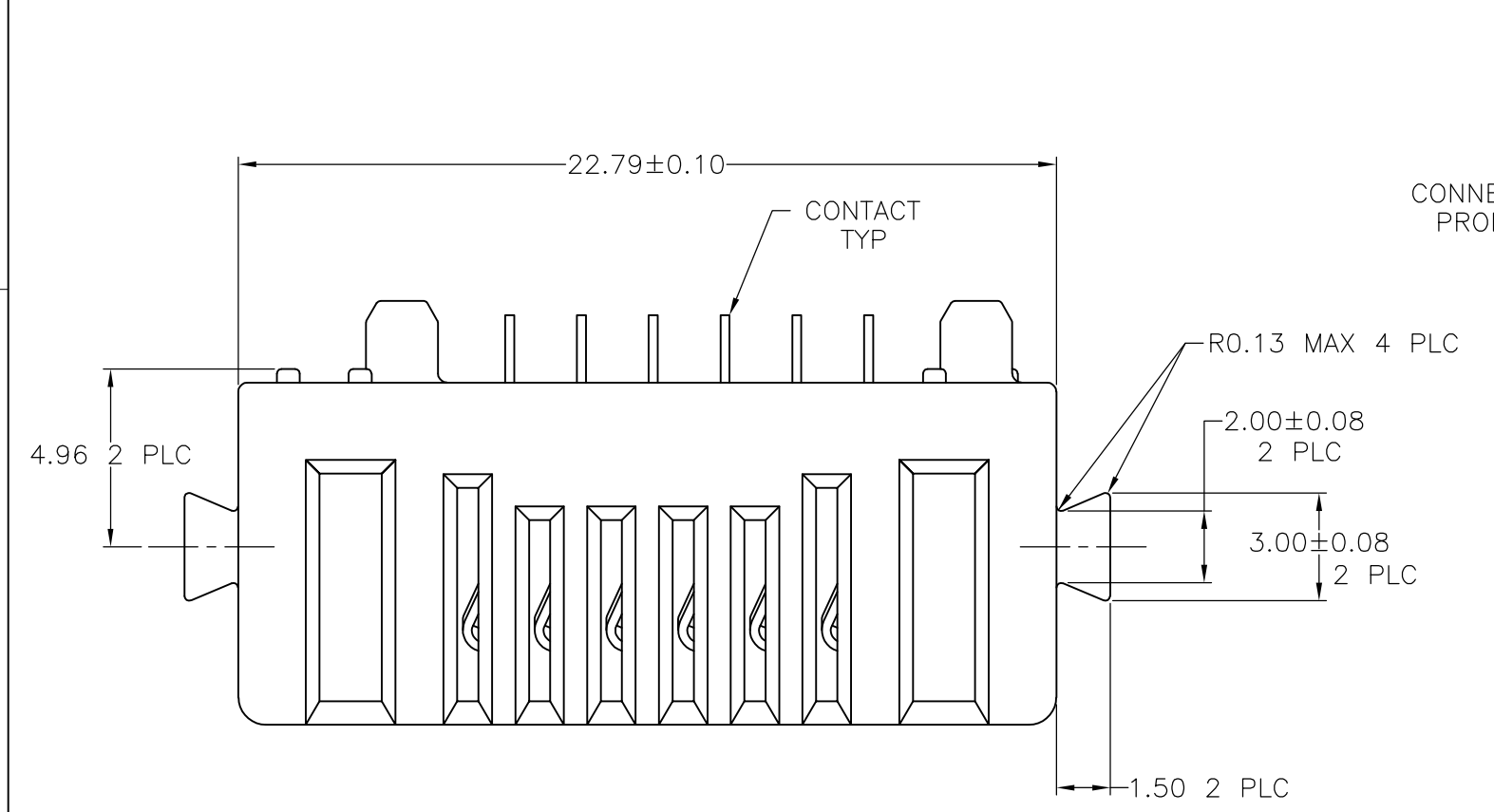


THIS DRAWING IS UNPUBLISHED. RELEASED FOR PUBLICATION
 © COPYRIGHT - By - ALL RIGHTS RESERVED.

LOC	DIST	REVISIONS					
ES	00	P	LTR	DESCRIPTION	DATE	DWN	APVD
		A1		REVISED PER ECO-11-005033	29MAR11	RK	HMR



2.03	5787253-2
1.50	5787253-1
C	PART NO.

NOTE:
 ① LCP, UL 94V-0 RATED, BLACK.
 ② PHOSPHOR BRONZE.
 ③ 0.076um MIN. GOLD OVER 0.76um MIN. PALLADIUM NICKEL ON MATING AREA, 3.80um MIN. TIN ON SOLDER TAIL, ALL OVER 1.27um MIN. NICKEL.
 ④ DATUMS AND BASIC DIMENSIONS ESTABLISHED BY CUSTOMER.
 ⑤ RECOMMENDED MINIMUM TRACE WIDTH FOR END POSITIONS WHEN CARRYING 3 AMPS: 1.8 WIDE x 55um THICK, BOTH SIDES.

THIS DRAWING IS A CONTROLLED DOCUMENT.		DWN GAVIN ZHANG 23NOV04	STE TE Connectivity	
		CHK STEVEN YAO 23NOV04		
DIMENSIONS: mm		APVD I. ENOMOTO 23NOV04	NAME	
TOLERANCES UNLESS OTHERWISE SPECIFIED:		PRODUCT SPEC	RECEPTACLE ASSEMBLY, 6 POSITION, THRU-HOLE, MDI	
0 PLC ± -		APPLICATION SPEC	-	
1 PLC ± -		WEIGHT -	SIZE A3	CAGE CODE 00779
2 PLC ± 0.13		CUSTOMER DRAWING	DRAWING NO C-5787253	RESTRICTED TO -
3 PLC ± -			SCALE 5:1	SHEET 1 OF 1
4 PLC ± -				REV A1
4 PLC ANGLES ± -				
MATERIAL ①② -				
FINISH ③ -				