

Customer Information Sheet

DRAWING No.: M80-85012XXR

SHEET 2 OF 2

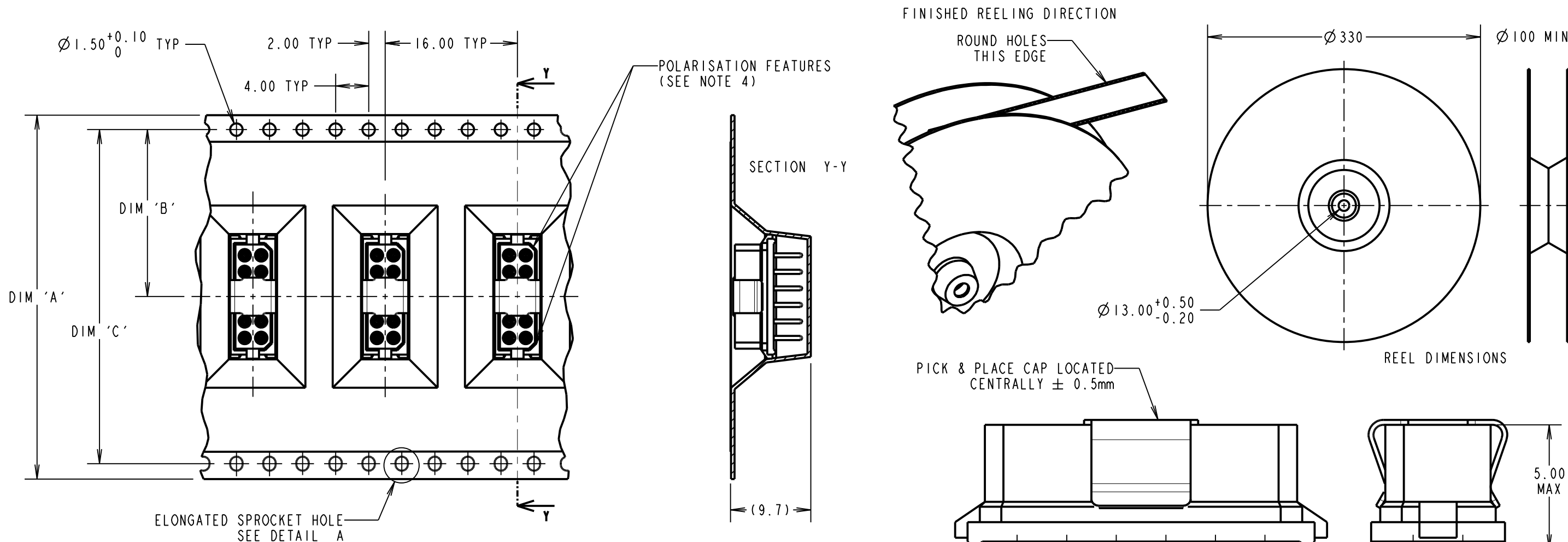
IF IN DOUBT - ASK

(C)

NOT TO SCALE

THIRD ANGLE PROJECTION

ALL DIMENSIONS IN mm



REELED PART No.	LOOSE PART No.	FINISH	DIM 'A'	DIM 'B'	DIM 'C'
M80-8501201R	M80-8501201P	GOLD CLIP, TIN/LEAD SHELL	44.0 \pm 0.3	20.20 \pm 0.15	40.40
M80-8501245R	M80-8501245P	GOLD SHELL, GOLD CLIP			
M80-8501242R	M80-8501242P	100% TIN SHELL, GOLD CLIP			

SPECIFICATIONS:

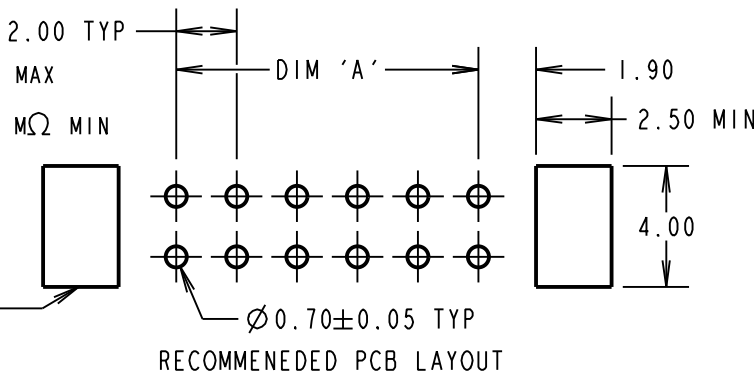
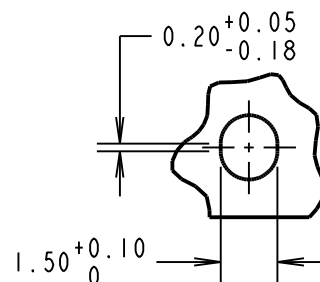
MATERIALS:
 MOULDING = POLYAMIDE 46 UL94V-0
 CONTACTS = BERYLLIUM COPPER
 PICK AND PLACE CAP = PHOSPHOR BRONZE

FINISH:
CONTACTS:
 01 = 0.3 μ GOLD CLIP, 3.5 μ 90/10 TIN/LEAD SHELL
 45 = 0.3 μ GOLD CLIP, 0.28 μ GOLD SHELL
 42 = 0.3 μ GOLD CLIP, 4.0 μ 100% TIN OVER NICKEL SHELL
 LATCHES = NICKEL

MECHANICAL:
 DURABILITY = 500 OPERATIONS
 INSERTION FORCE = 2N MAX
 WITHDRAWAL FORCE = 0.2N MIN

ELECTRICAL:
 CURRENT RATING (25°C) = 3.0A MAX
 CURRENT RATING (85°C) = 2.2A MAX
 WORKING VOLTAGE = 800V AC/DC
 VOLTAGE PROOF = 1200V AC/DC
 CONTACT RESISTANCE (INITIAL) = 20 m Ω MAX
 CONTACT RESISTANCE (AFTER CONDITIONING) = 25 m Ω MAX
 INSULATION RESISTANCE (INITIAL) = 1,000 M Ω MIN
 INSULATION RESISTANCE (AFTER CONDITIONING) = 100 M Ω MIN

ENVIRONMENTAL:
 TEMPERATURE RANGE = -55°C TO +125°C



ORDER CODE: **M80-850XXXXR**

TOTAL No. OF CONTACTS: 12

FINISH:
 01 = TIN/LEAD SHELL, GOLD CLIP
 45 = GOLD SHELL, GOLD CLIP
 42 = 100% TIN SHELL, GOLD CLIP

MSP	5	01.06.15	12793
NAME	ISS.	DATE	C/NOTE
APPROVED:		M. PERREN	
CHECKED:		M. PLESTED	
DRAWN:		B. M. KENT	
CUSTOMER REF.:			
ASSEMBLY DRG:			

- NOTES:**
- QUANTITY OF COMPONENTS PER REEL = 350.
 - THIS PRODUCT IS TAPED AND REELED IN ACCORDANCE WITH EIA-481-2-A (ELECTRONIC INDUSTRIES ASSOCIATION).
 - FOR COMPLETE SPECIFICATION, SEE COMPONENT SPECIFICATION C005XX (LATEST ISSUE).
 - COMPONENTS ARE ORIENTED IN TAPE POCKETS SO THAT THE POLARISING FEATURES ARE FACING TOWARDS THE FREE END.

HARWIN

www.harwin.com
 technical@harwin.com

THIS DRAWING AND ANY INFORMATION OR DESCRIPTIVE MATTER SET OUT HEREON ARE CONFIDENTIAL AND COPYRIGHT PROPERTY OF THE HARWIN GROUP AND MUST NOT BE DISCLOSED, LOANED, COPIED OR USED FOR MANUFACTURING, TENDERING OR FOR ANY OTHER PURPOSE WITHOUT THEIR WRITTEN PERMISSION.

TOLERANCES
 X. = ± 1 mm
 X.X = ± 0.50 mm
 X.XX = ± 0.10 mm
 X.XXX = ± 0.01 mm
 ANGLES = $\pm 5^\circ$
 UNLESS STATED

MATERIAL: SEE ABOVE
FINISH: SEE ABOVE
S/AREA: mm²

TITLE: DATAMATE DIL VERTICAL PC TAIL SOCKET ASSY (RoHS - TAPE AND REELED)
DRAWING NUMBER: M80-85012XXR
 SHT 2 OF 2