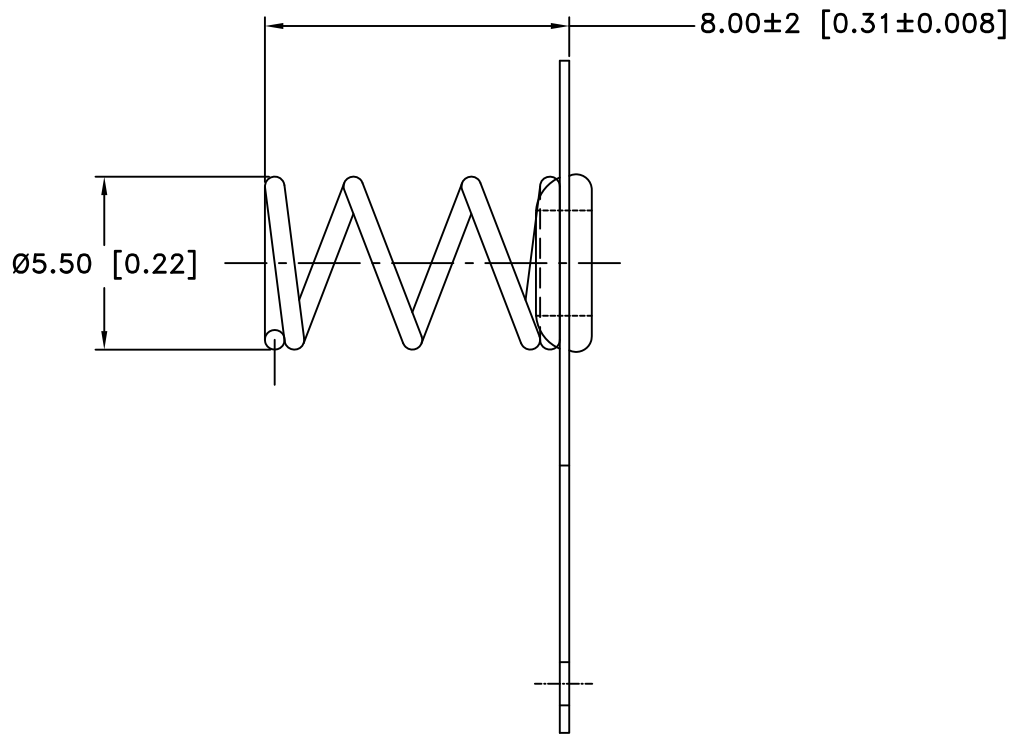
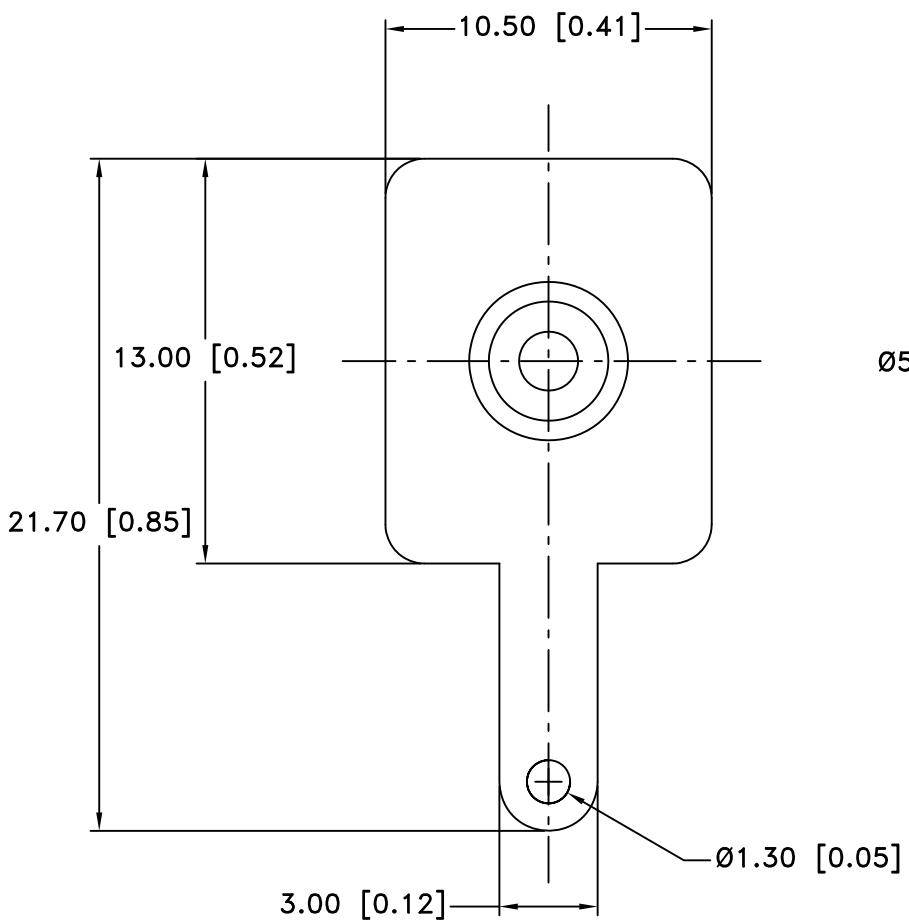



Date	SYM	REVISION RECORD	AUTH	DR.	CK.
10/22/05	E	ADDED "ROHS COMPLIANT"	T.B.	B.S.	
11/21/14	F	UPDATED TO ROHS 2 COMPLIANT	T.B.	B.S.	
03/24/17	G	UPDATED NOTE	T.B.	B.S.	



- NOTES:
1. BASE: STEEL, 0.3mm (0.012") THICK. ELECTROLYTIC BRIGHT TIN PLATED.
 2. SPRING: SWG 60C ELASTIC STEEL, 0.61mm (0.024") THICK. NICKEL PLATED.
 3. ROHS 2 COMPLIANT

Tolerance (Except as noted)	 Memory Protection Devices, Inc 200 Broad Hollow Road, Farmingdale, New York 11735	Scale	Drawn By B.S.
			Approved By T.B.
decimal ±.5 (.020)	Title "AA" BATTERY NEGATIVE CONTACT	Date 03/24/17	Drawing Number SN-T5-1
Fractional ±.8 (.030)			
Angular ± 3°			