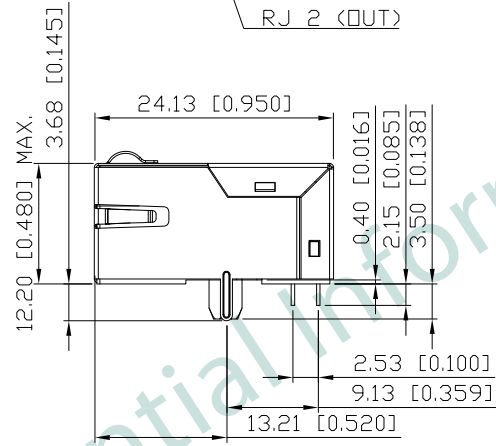
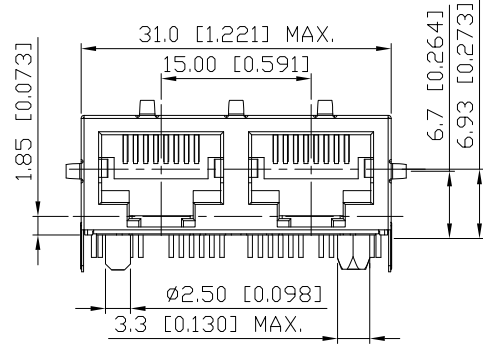
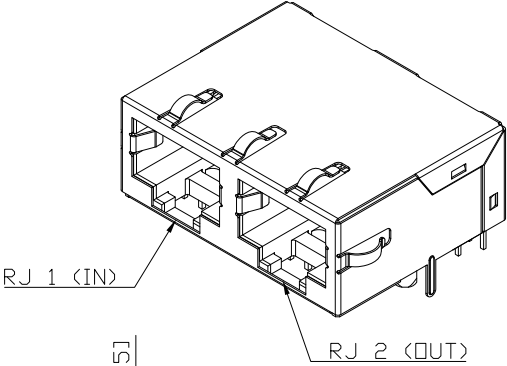
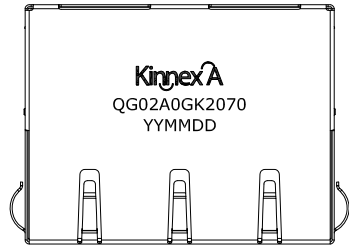
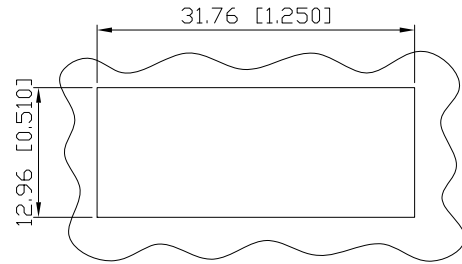
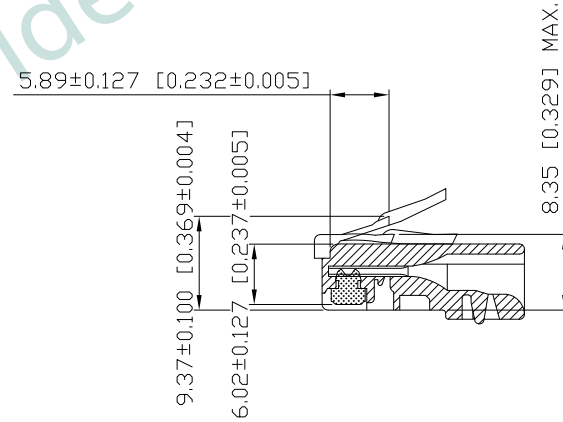
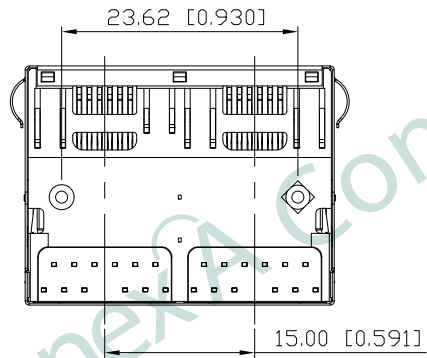


1. MECHANICAL DIMENSIONS :

REV.	DATE	DESCRIPTION
01	Mar. 15, '19	1st RELEASE



RECOMMENDED PLUG DIMENSION:

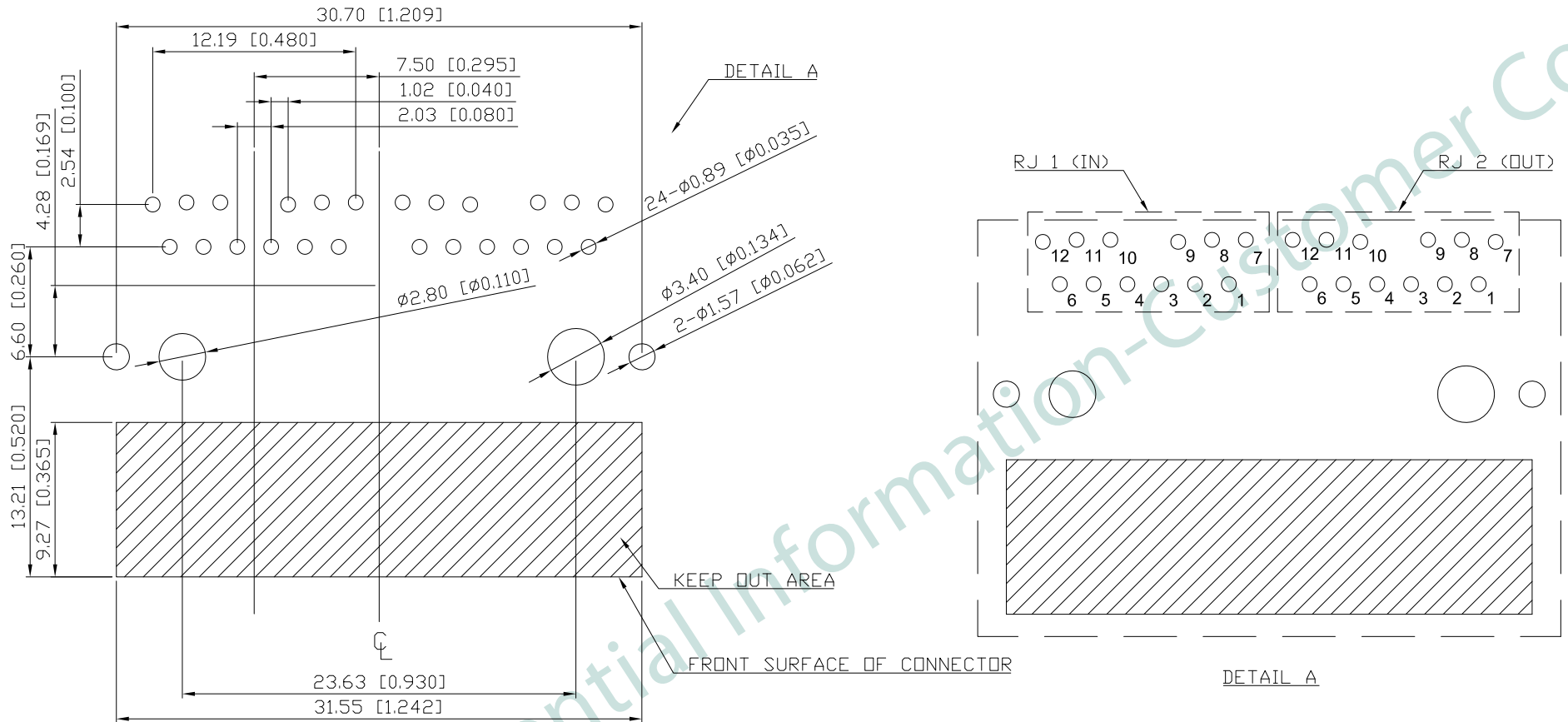


RECOMMENDED PANEL CUTOUT DIMENSION

- NOTES:
1. MATERIAL:  
HOUSING: HIGH THERMOPLASTIC, UL94V-0, BLACK  
CONTACTS: T=0.30mm PHOS-BRONZE,  
30u" GOLD PLATING ON CONTACT AREA,  
NICKEL UNDERPLATING ON ALL AREA  
SOLDER PIN: T=0.30\*0.40mm COPPER, NICKEL PLATING,  
TIN PLATING ON ALL AREA  
SHIELD: T=0.20mm COPPER ALLOY, NICKEL PLATING
  2. OPERATING TEMPERATURE: -40°C~+85°C
  3. MATING FORCE: 4 POUNDS MAX.  
UNMATING FORCE: 4 POUNDS MAX
  4. DURABILITY: 750 MATING CYCLED MIN.
  5. CAVITY CONFORMS TO FCC RULES AND REGULATIONS PART 68,  
SUBPART F.
  6. UNSPECIFIED TOLERANCE: .XX ±0.25[0.010]  
.X ±0.30[0.012]

PART NO		KQG-02A-0-GK2-070-XXX		
TITLE	RJ45 1X2, W/5G TRANSFORMER AND PoE+, W/D LED, SHIELDED			
REV : 01				
UNIT	DRAWN	CHKD	DATE	SHEET
mm[inch]	CINDY	VINCENT	Mar. 15, '19	1 of 5

2. PCB LAYOUT :



SUGGESTED PCB LAYOUT  
(TOP VIEW) SCALE:2:1  
DIMENSIONAL TOLERANCE: .XX ±0.08[0.003]

KQG-02A-0-GK2-070-XXX

PRODUCT SERIES  
KQG: LATCH DOWN, PoE+ TYPE

MECHANICAL TYPE  
02A: 2 PORT FOR KQG,  
HEIGHT=12.20mm, LENGTH=24.13mm,  
STRAIGHT PINS, PIN=3.30mm

LED COLOR OPTION

CIRCUIT TYPE

CUSTOMER CODE

SPECIAL CODE  
0: STANDARD

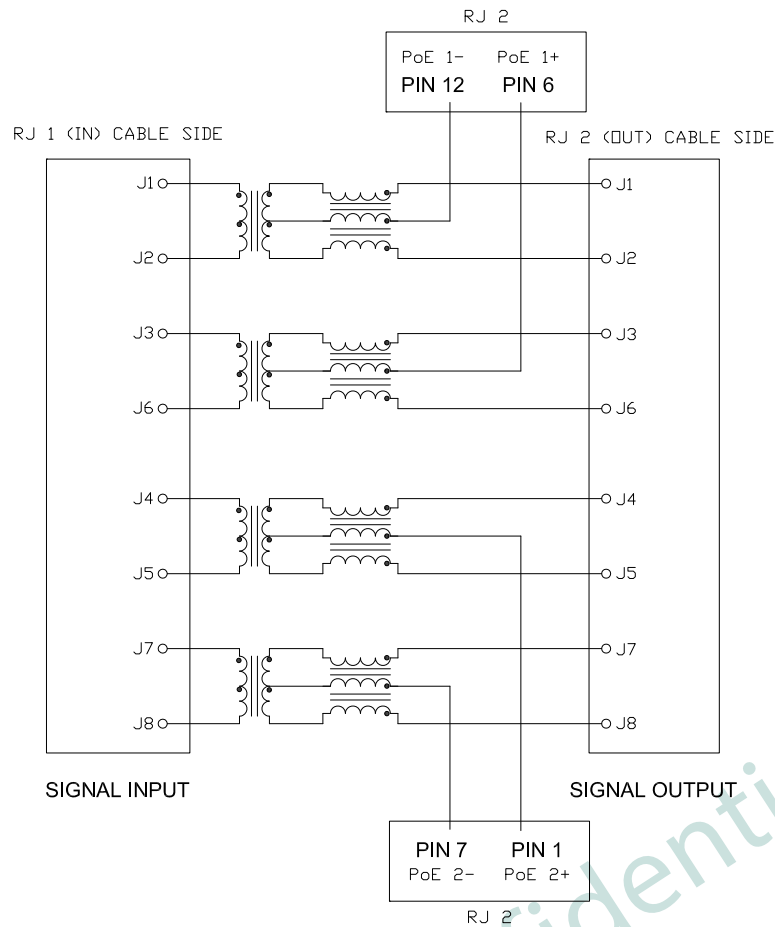
SHIELDED TYPE  
7: EMI FINGER ON ALL SIDE

LED POLARITY  
0: W/O LED

PART NO KQG-02A-0-GK2-070-XXX

TITLE	RJ45 1X2, W/5G TRANSFORMER AND PoE+, W/O LED, SHIELDED			
REV : 01				
UNIT	DRAWN	CHKD	DATE	SHEET
mm[inch]	CINDY	VINCENT	Mar. 15, '19	2 of 5

### 3. SCHEMATIC :



### 4. ELECTRICAL CHARACTERISTICS :

TEST NOTES:( $25 \pm 5^\circ\text{C}$ )

- TR:  
INPUT TO OUTPUT=1:1 $\pm$ 3%
- DCL: (<100KHz, 100mV, 8mA, DC Bias)  
150uH MINIMUM
- DCR:  
EVERY RJ PAIR=1.2  $\Omega$  MAXIMUM
- INSERTION LOSS:  
-0.5dB MAXIMUM AT 1MHz TO 50MHz  
-1.0dB MAXIMUM AT 50MHz TO 100MHz  
-1.5dB MAXIMUM AT 100MHz TO 250MHz
- RETURN LOSS:  
-20dB MINIMUM AT 1MHz TO 40MHz  
-15dB MINIMUM AT 40MHz TO 100MHz  
-12dB MINIMUM AT 100MHz TO 150MHz  
-10dB MINIMUM AT 150MHz TO 200MHz  
-9dB MINIMUM AT 200MHz TO 250MHz
- CROSS TALK:  
-35dB MINIMUM AT 1MHz TO 50MHz  
-30dB MINIMUM AT 50MHz TO 150MHz  
-20dB MINIMUM AT 150MHz TO 250MHz
- CM TO CM MODE REJECTION:  
-25dB MINIMUM AT 1MHz TO 250MHz
- HIPOT:  
INPUT(RJ SIDE) TO OUTPUT(LAN SIDE)  
1500 VAC/60SEC
- WORKING CURRENT FOR PoE+: 720mA DC MAX.

PART NO		KQG-02A-0-GK2-070-XXX		
TITLE	RJ45 1X2, W/5G TRANSFORMER AND PoE+, W/O LED, SHIELDED			
REV : 01				
UNIT	DRAWN	CHKD	DATE	SHEET
mm[inch]	CINDY	VINCENT	Mar. 15, '19	3 of 5

5. PACKING SPECIFICATION:

A  
B  
C  
D  
E  
F

TOP COVER  
310mm\*235mm\*30mm

TRAY  
310mm\*235mm\*10mm

RoHS LABEL (LEFT)  
INNER LABEL (RIGHT)

35 PCS/TRAY

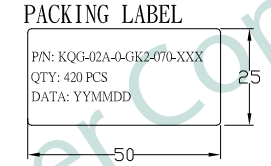
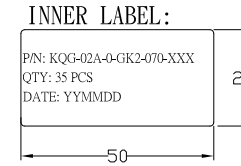
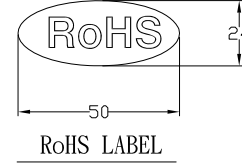
6 TRAY  
VACUUM SEALED

Plastic bag

2 DESICCANTS

2 INNER CARTON/CARTON  
420PCS

INNER CARTON  
320mm\*248mm\*195mm  
6 TRAY /210PCS

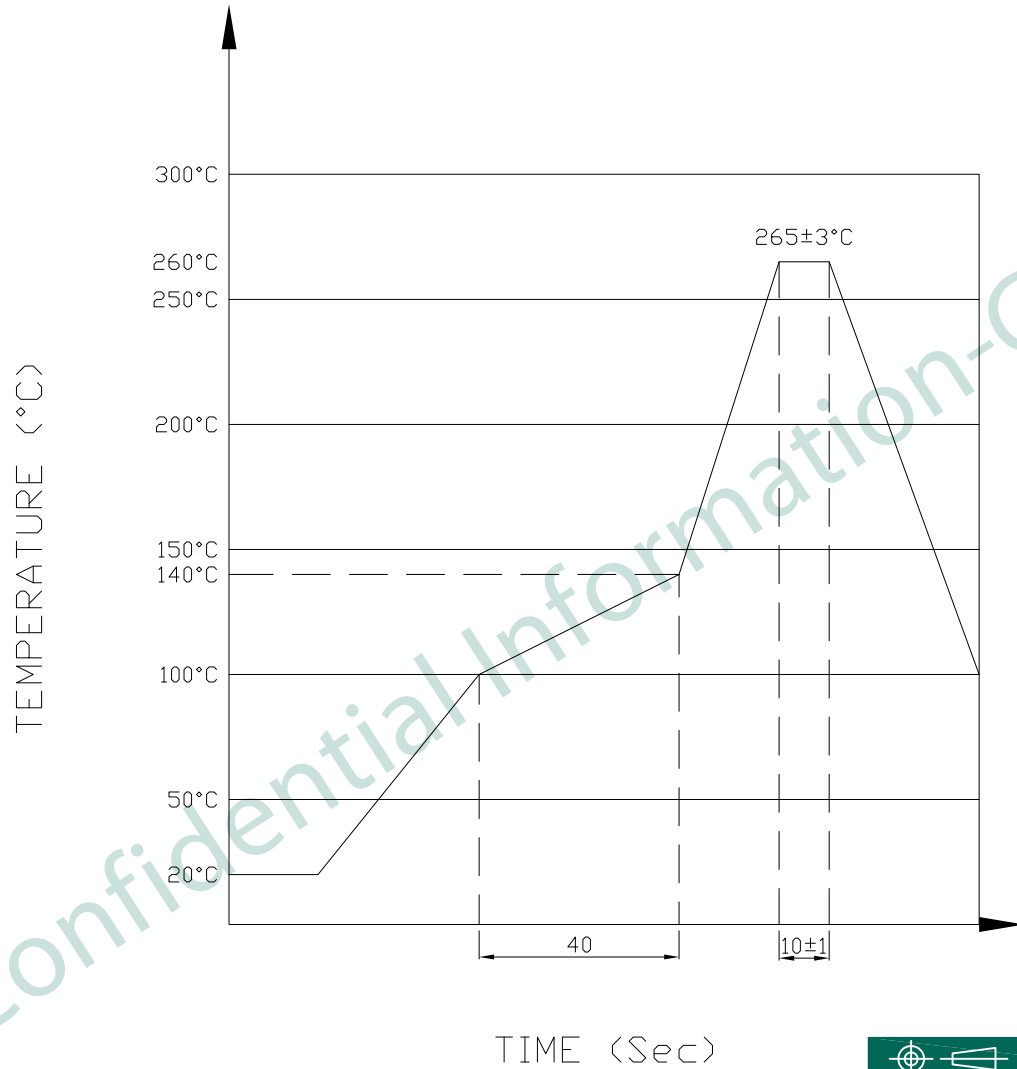


CARTON  
515mm\*340mm\*220mm

PACKING LABEL  
RoHS LABEL

PART NO		KQG-02A-0-GK2-070-XXX		
TITLE	RJ45 1X2, W/5G TRANSFORMER AND PoE+, W/D LED, SHIELDED			
REV : 01				
UNIT	DRAWN	CHKD	DATE	SHEET
mm[inch]	CINDY	VINCENT	Mar. 15, '19	4 of 5

6. PROFILE OF WAVE SOLDER :



The measuring point for the specified temperature shall be on the soldered part of the lead

PART NO		KQG-02A-0-GK2-070-XXX		
TITLE	RJ45 1X2, W/5G TRANSFORMER AND PoE+, W/O LED, SHIELDED			
REV : 01				
UNIT	DRAWN	CHKD	DATE	SHEET
mm[inch]	CINDY	VINCENT	Mar. 15, '19	5 of 5