

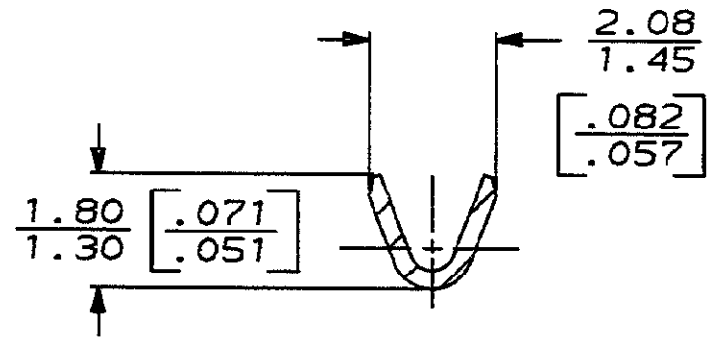
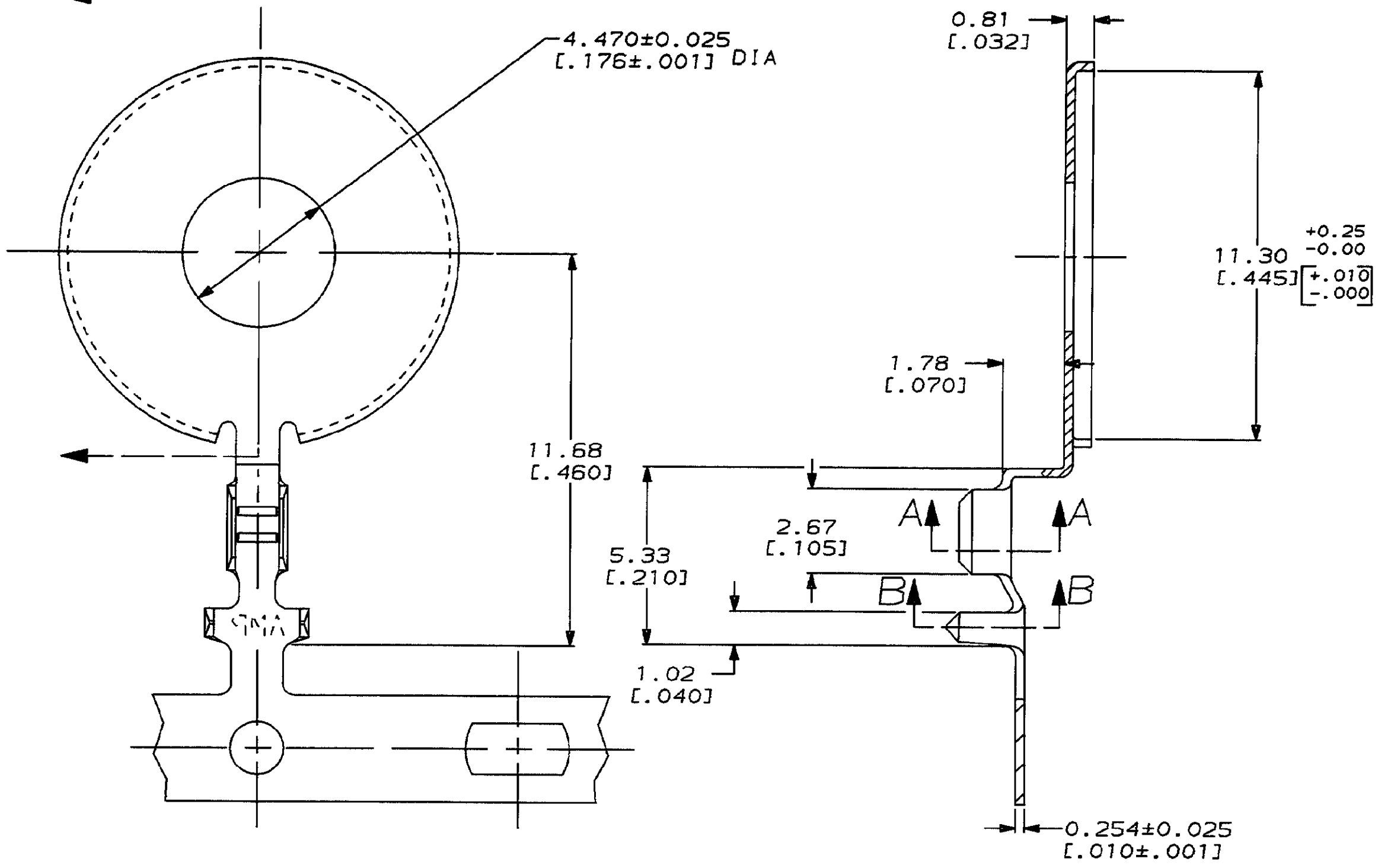
DRAWING MADE IN THIRD ANGLE PROJECTION

THIS DRAWING IS UNPUBLISHED. RELEASED FOR PUBLICATION .19

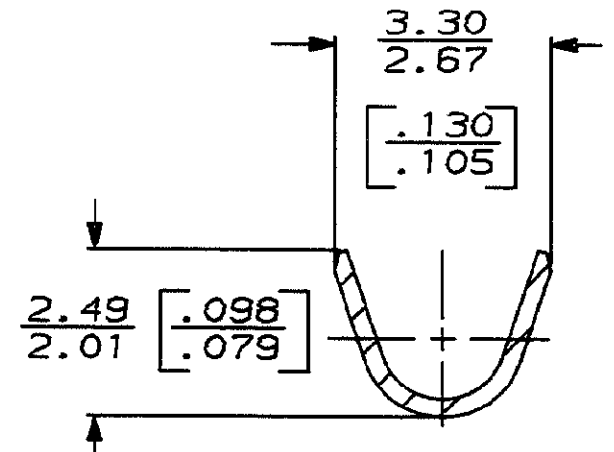
© COPYRIGHT 19 BY AMP INCORPORATED. ALL INTERNATIONAL RIGHTS RESERVED.

LOC		DIST		REVISIONS				DATE	APPD
AF	50	P	F	ZONE	LTR	DESCRIPTION			
				C		RELEASE PER FASR & AF-8118	9/2/92	PF/DS	

1 CONTINUOUS STRIP ON REEL.



SECTION A-A
SCALE 10:1
ROTATED 90° CW



SECTION B-B
SCALE 10:1
ROTATED 90° CW

DO NOT SCALE PRINT. UNLESS SPECIFIED DIMENSIONS IN mm [INCHES] TOLERANCES ON: 2 PLC DEC ± 0.25 [.010] 3 PLC DEC ± - ANGLES ± -	DR 1/17/92 P FORTNEY CHK 1/17/92 MS FEHER APPD 1/17/92 D SCHWENK APPD 1/17/92 R MEAVILL PRODUCT SPEC -	1.27-1.65 DIA [.050-.065]	0.13-0.3mm ² [26-22] AWG	63626-1
MATERIAL 082 BRASS	INSULATION RANGE	WIRE RANGE	PART NO	
FINISH 0.002032 [.000080] MIN PRE-TIN PL PER MIL-T-10727	APPLICATION SPEC -	SIZE C	CAGE CODE 00779	DRAWING NO 63626
WEIGHT -		SCALE 5:1	SHEET 1 OF 1	

METRIC

AMP Incorporated
Harrisburg, PA 17105-3608

NAME
TERMINAL, ELECTRODE GRIP