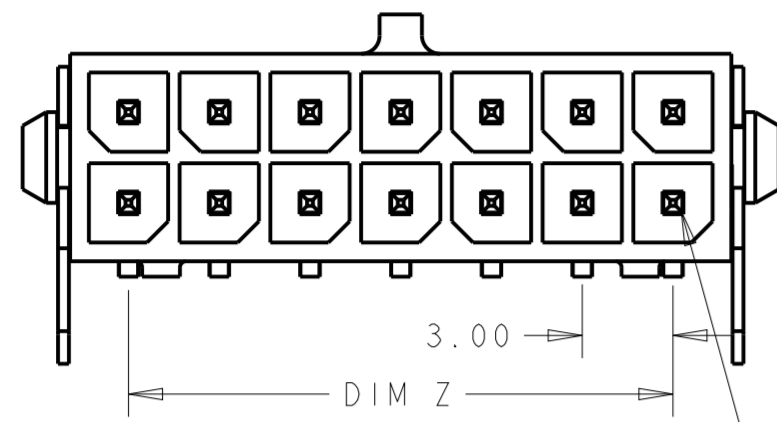
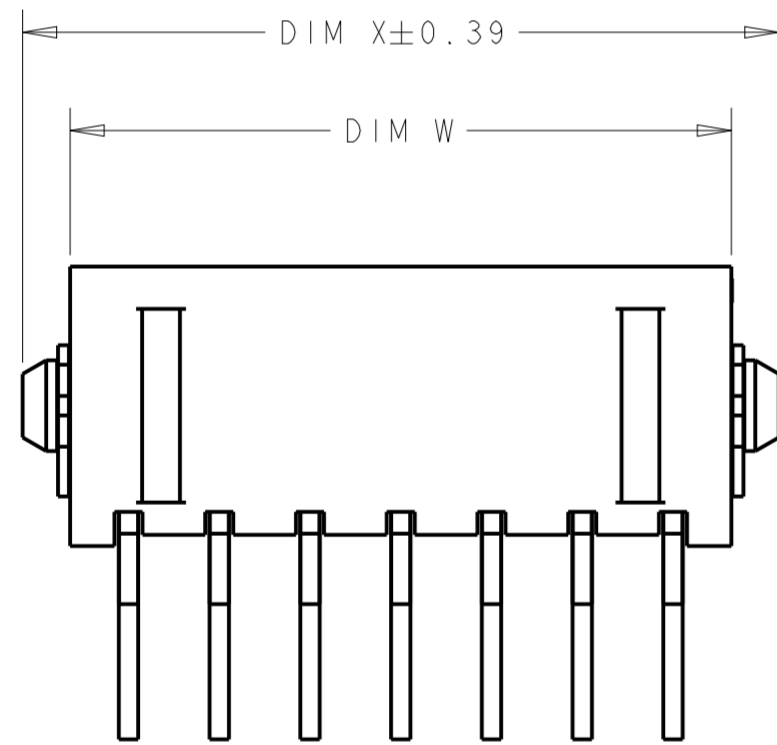
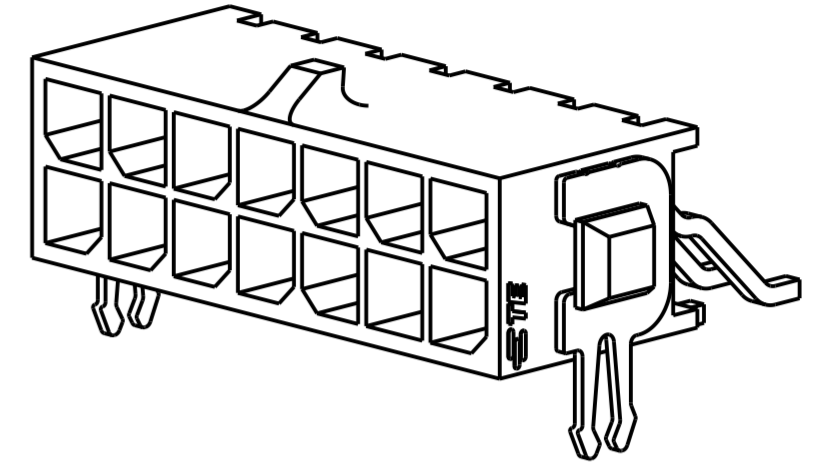
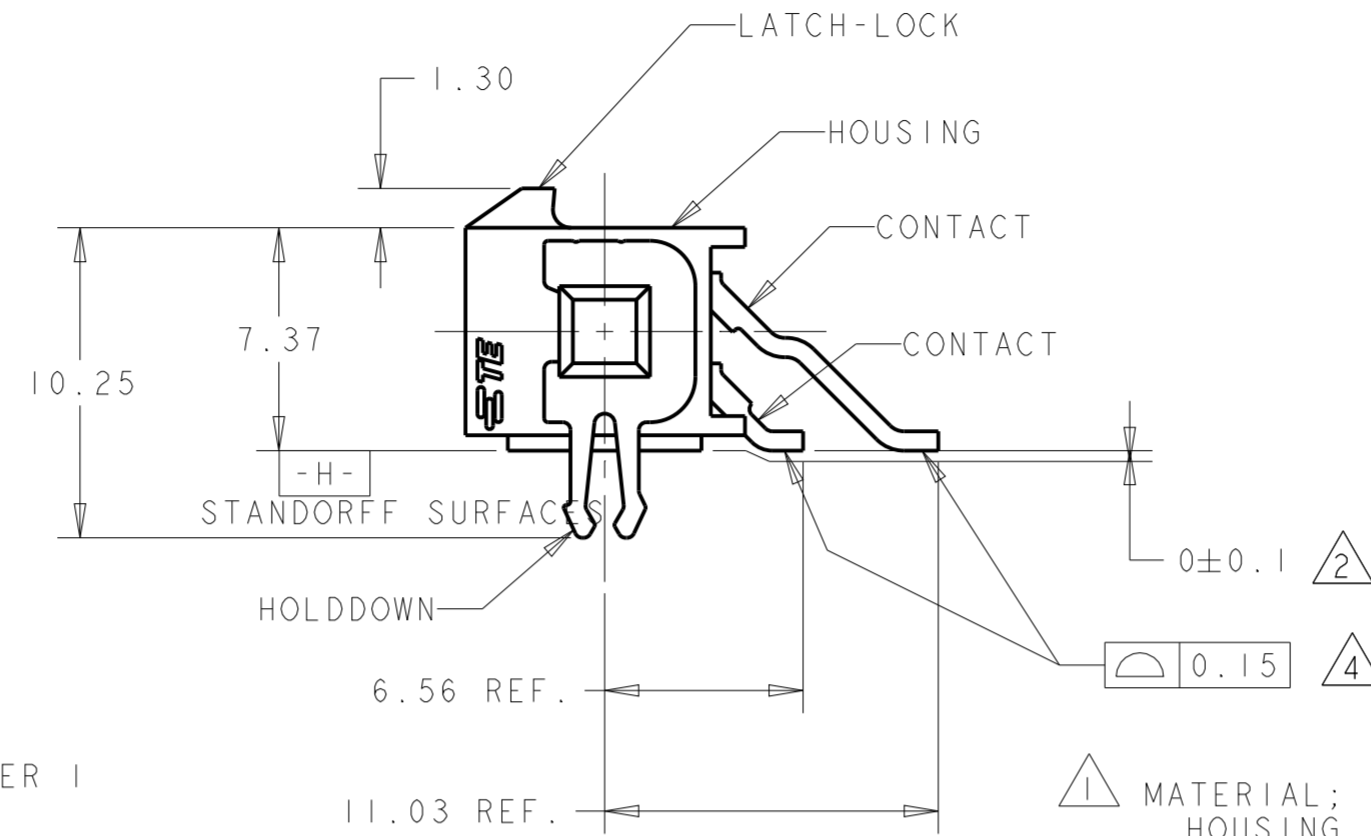


THIS DRAWING IS UNPUBLISHED. RELEASED FOR PUBLICATION 20
 © COPYRIGHT 20 BY - ALL RIGHTS RESERVED.

LOC	DIST	REVISIONS					
CM	00	P	LTR	DESCRIPTION	DATE	DWN	APVD
		G1		REVISED PER ECR-16-011506	27JUN2017	NK	CX
		G2		ECO-19-006502	29APR2019	AP	WLS
		G3		REVISED PER ECO-20-009852	14JUL2020	WLS	DZ
		G4		REVISED PER ECN-21-100661	19MAR2021	WLS	VS



CIRCUIT NUMBER 1



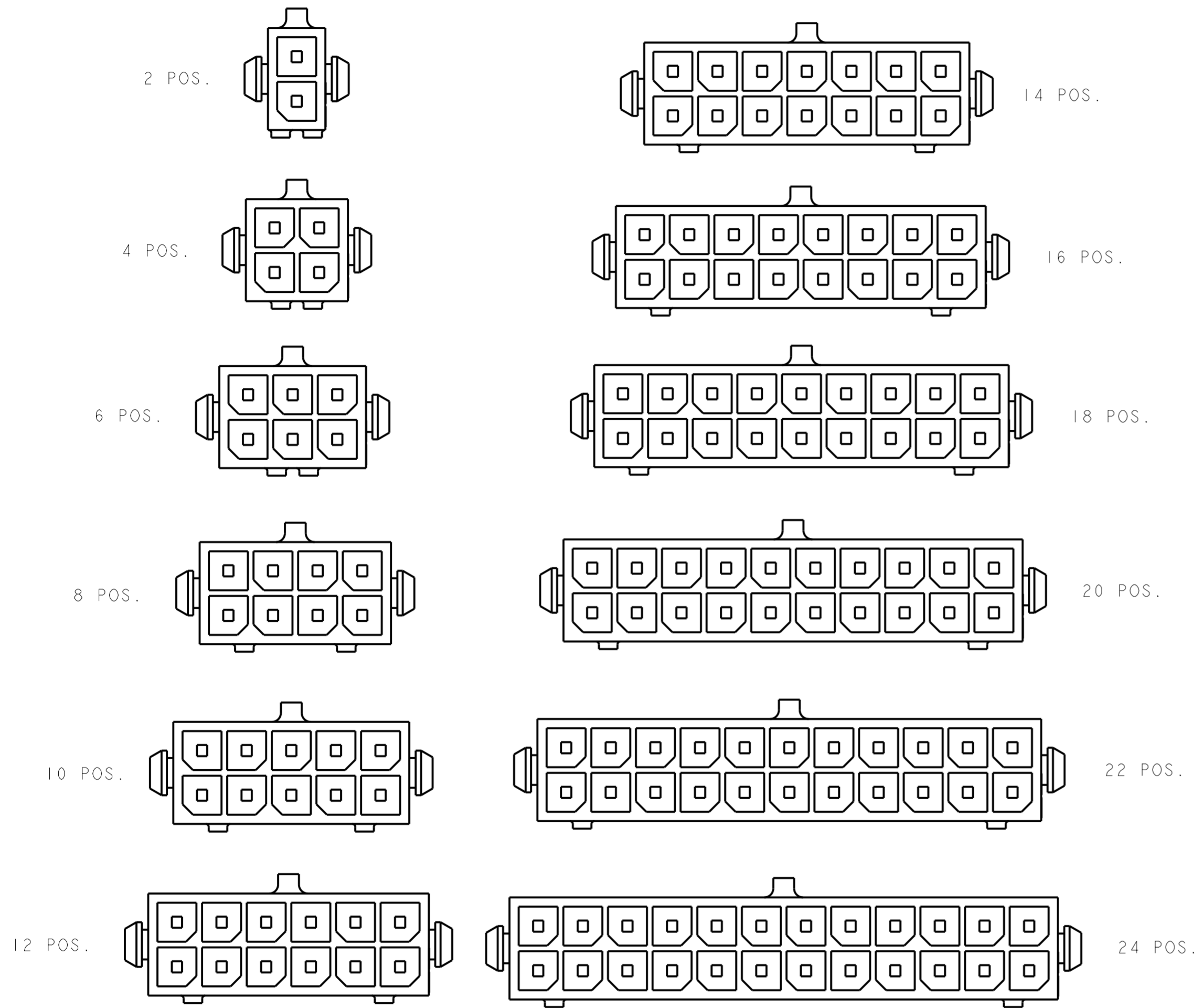
- 1 MATERIAL;
HOUSING - UL 94V-0 RATED HIGH TEMP NYLON, COLOR BLACK.
CONTACTS - BRASS.
HOLDDOWNS - PHOSPHOR BRONZE.
- 2 DIMENSION APPLIES TO SOLDER TAIL SURFACES AND STANDOFF SURFACES.
- 3 RECOMMENDED PC BOARD THICKNESS OF 1.57.
- 4 ALL SOLDER TAILS.
- 5 PLATING;
CONTACTS - 0.76µm MINIMUM GOLD ON MATING AREA.
2.54µm MINIMUM MATTE TIN ON SOLDER TAILS.
ALL OVER 1.27µm MINIMUM NICKEL.
HOLDDOWNS - 2.54µm MINIMUM MATTE TIN OVER 1.27µm MINIMUM NICKEL.
- 6 COUNTERPART RECOMMENDED IS PN 794617 (DASH ACCORDING TO NUMBER OF POSITION).
- 7 FOR REELING DIRECTION AND PACKAGING TYPE, SEE SPECIFICATION 114-13000.

36.86	37.30	33.00	40.00	24	5-794626-4
33.86	34.30	30.00	37.00	22	5-794626-2
30.86	31.30	27.00	34.00	20	5-794626-0
27.86	28.30	24.00	31.00	18	4-794626-8
24.86	25.30	21.00	28.00	16	4-794626-6
21.86	22.30	18.00	25.00	14	4-794626-4
18.86	19.30	15.00	22.00	12	4-794626-2
15.86	16.30	12.00	19.00	10	4-794626-0
12.86	13.30	9.00	16.00	8	3-794626-8
9.86	10.30	6.00	13.00	6	3-794626-6
6.86	7.30	3.00	10.00	4	3-794626-4
3.86	4.30	-	7.00	2	3-794626-2
DIM W	DIM Y	DIM Z	DIM X	NO. OF POSN.	PART NUMBER

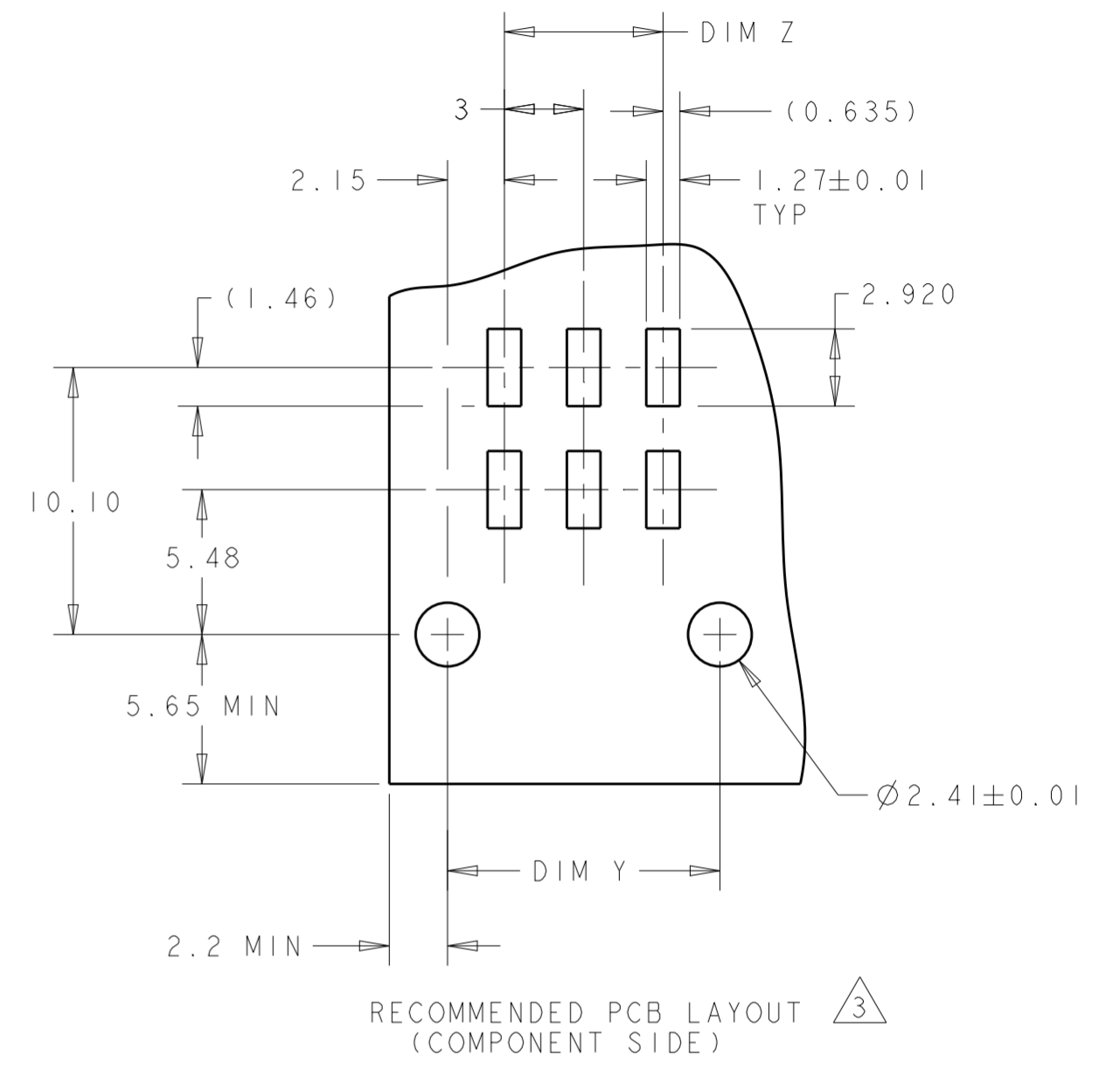
THIS DRAWING IS A CONTROLLED DOCUMENT.		DWN K. WHITAKER 19MAR2003	TE Connectivity	
DIMENSIONS: mm		CHK C. JONES 19MAR2003		
TOLERANCES UNLESS OTHERWISE SPECIFIED:		APVD C. JONES 19MAR2003	NAME SURFACE MOUNT, RIGHT ANGLE, MECHANICAL HOLDDOWN, ASSEMBLY, 30 GOLD HEADER, DUAL ROW, MICRO MATE-N-LOK™	
0 PLC ± 1 PLC ± 2 PLC ±0.13 3 PLC ± 4 PLC ± ANGLES ±1° FINISH		PRODUCT SPEC 108-1836	SIZE A2	CAGE CODE 0779
MATERIAL 1		APPLICATION SPEC 114-13000	DRAWING NO G-794626	RESTRICTED TO
		WEIGHT -	SCALE 4:1	SHEET 1 OF 2
		CUSTOMER DRAWING	REV G4	

THIS DRAWING IS UNPUBLISHED. RELEASED FOR PUBLICATION 20
 © COPYRIGHT 20 BY - ALL RIGHTS RESERVED.

LOC	DIST	REVISIONS					
CM	00	P	LTR	DESCRIPTION	DATE	DWN	APVD
		-		SEE SHEET 1			



KEYING BY POSITION SIZE



THIS DRAWING IS A CONTROLLED DOCUMENT.		DWN K. WHITAKER 19MAR2003	TE Connectivity	
DIMENSIONS: mm		CHK C. JONES 19MAR2003		
TOLERANCES UNLESS OTHERWISE SPECIFIED:		APVD C. JONES 19MAR2003	NAME SURFACE MOUNT, RIGHT ANGLE, MECHANICAL HOLDDOWN, ASSEMBLY, 30 GOLD HEADER, DUAL ROW, MICRO MATE-N-LOK	
0 PLC ± 1 PLC ± 2 PLC ±0.13 3 PLC ± 4 PLC ± ANGLES ±1° FINISH		PRODUCT SPEC 108-1836	SIZE A20779	CAGE CODE G-794626
MATERIAL		APPLICATION SPEC 114-13000	DRAWING NO G-794626	RESTRICTED TO
		WEIGHT	SCALE 4:1	SHEET 2 OF 2
		CUSTOMER DRAWING	REV G4	