



SPECIFICATIONS

Model	Stroke mm	Max Energy Absorption J(kgf·m)	Max Equiv. Mass kg(kgf)	Range of Impact Rate m/s	Orifice Type
FA-S1410RD-C	10	5.88(0.6)	4.5(4.5)	0.7~3	Multiple-orifice type

COMMON SPECIFICATIONS

Max Drag N(kgf)	Max Cycle Rate cycle/min	Max Energy Absorption per min. J/min(kgf·m/min)	Extension Force N(kgf)	Operating Temp. C°	Mass g
1813(185)	60	147(15)	9.8(1.0) or lower	-5~70	73

PRECAUTIONS FOR USE

- Do not use this product in places where it may come in contact with oil as it does not have a liquid-proof structure.
- Please contact our sales department when the use of optional parts is planned.
- Although the dimensions are identical to those of the FA series standard products (adjustable), the FWM-S2016 series has a longer overall length.

ADJUSTMENT METHOD

- Please peruse the operation manual carefully before use.
- Do not operate without sufficient mounting strength.
- Do not operate without an external stopper.
- Note that Products specification might be changed without notice.

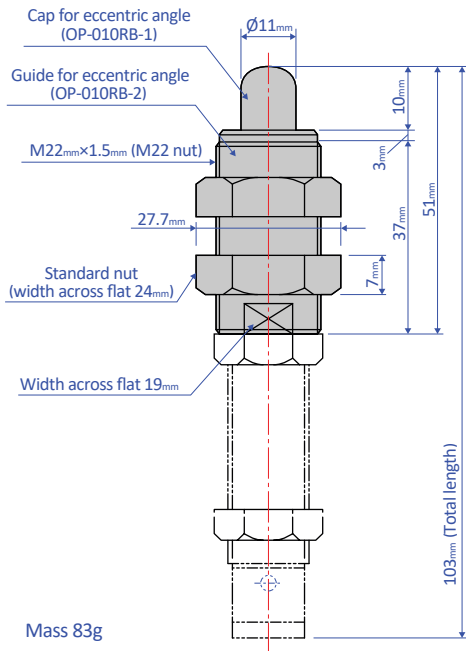
ABSORPTION CHARACTERISTICS

Orifice type	Multiple-orifice type	
Model number	FA-S1410RD Series	
Application	For high speed	

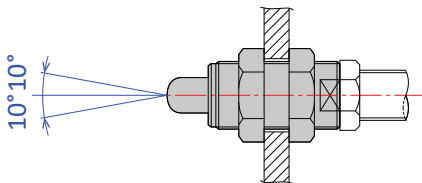
OPTIONAL PARTS

Eccentric angle adaptor OP-010RB

- Screw the eccentric angle adaptor into the main unit until the cap for the eccentric angle and the piston rod form a tight connection. While maintaining this position, fasten the main unit's nut until it is secured.
- Use the eccentric angle adaptor when the eccentric angle is 2.5° or larger.
- The main unit can also be used as a stopper.
- Use it with a capless soft absorber.
- The maximum operating eccentric angle with an eccentric angle adaptor is $\pm 10^\circ$.
- The caps and the guides for inclined use are not unbundled.



Mass 83g

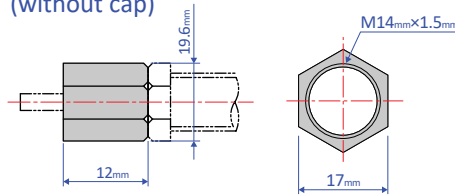


Note: Material of cap for eccentric angle: POM

Stopper nut OP-020RB

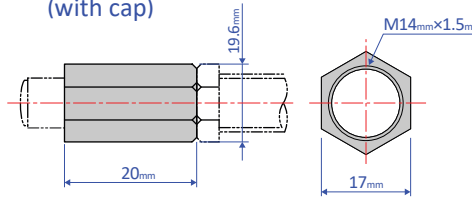
- Adjust so that it stops 1 mm before the stroke end, and fasten with the main unit's nut until secured.

OP-020RB-S (without cap)



Mass 10g

OP-020RB-C (with cap)



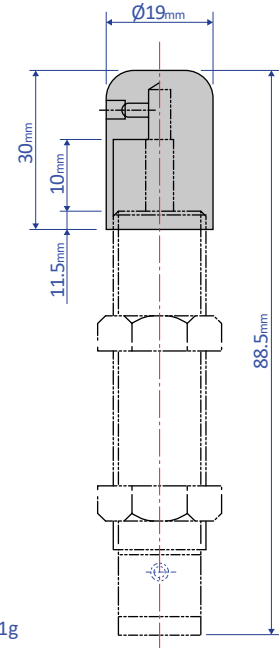
Mass 17g

Note: When attaching, make sure that the side without a bearing chamfer is the impact surface.

Standard nuts are sold separately as well - M14 Nut

Liquid-proof cap FA-1410RD-C-060

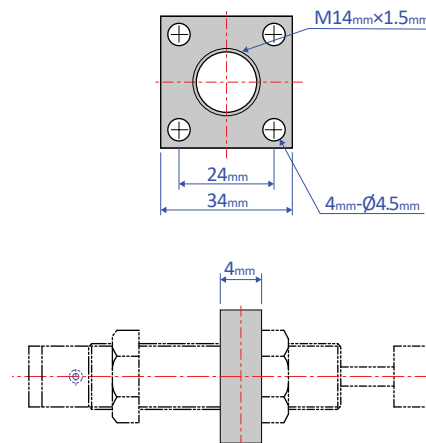
- Ideal for use in environments where oil splatter poses a problem.
- Ensure that the cap is facing upward. If the cap is facing sideways or downward, it cannot provide an effective means for liquid proofing.



Mass 31g

Square flange OP-040RB

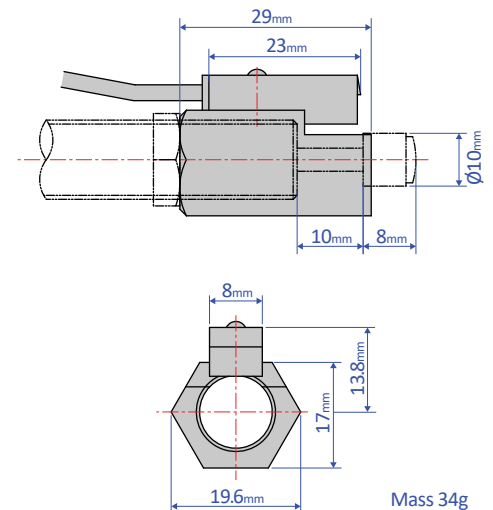
- Once the attachment site is determined, use the main unit's nut to securely fasten in place.



Mass 30g

Holder with a switch OP-030RB-2 (with a stopper function)

- Although a holder with a switch can be ordered on its own, we strongly recommend ordering one with the main unit. Please include the main unit's model number when placing an order.



Mass 34g