

# RC-07P1N1280EM - Cable connector



1594323

<https://www.phoenixcontact.com/us/products/1594323>

Please be informed that the data shown in this PDF document is generated from our online catalog. Please find the complete data in the user documentation. Our general terms of use for downloads are valid.



M23, Cable connector, straight, shielded: no, Screw locking mechanism, No. of pos.: 7, Direction of rotation: Standard, contact connection type: Pin, Solder cup, cable diameter range: 3 mm ... 10.5 mm, coding: N, Alternative product in accordance with RoHS II without Exemption 6c (Pb <0.1%) item no.: 1240484

## Commercial data

Item number	1594323
Packing unit	1 pc
Minimum order quantity	1 pc
Note	Made to order (non-returnable)
Sales key	AB31
Product key	ABRAFA
GTIN	4046356200783
Weight per piece (including packing)	79.55 g
Weight per piece (excluding packing)	79.55 g
Customs tariff number	85366990
Country of origin	DE

# RC-07P1N1280EM - Cable connector



1594323

<https://www.phoenixcontact.com/us/products/1594323>

## Technical data

### Product properties

Product type	Circular connector (cable-side)
--------------	---------------------------------

### Connector

#### Insulating body

Coding	N
Insertion/withdrawal cycles	50
Connection method	Solder cup
Contact switching type	Pin
Application	Signal
Number of positions	7
Direction of rotation	Standard
Connection profile	7
Contact diameter <b>Power contacts</b>	2 mm
Litz wire cross-section <b>Power contacts</b> min.	0.08 mm <sup>2</sup>
Litz wire cross-section <b>Power contacts</b> max.	2.5 mm <sup>2</sup>
Rated current <b>Power contacts</b>	20 A
Rated voltage	48 V AC 74 V DC
Rated surge voltage	1.5 kV
Overvoltage category	III
Degree of pollution	3

#### Housing

Order information:	Order contact inserts separately
Housing material	Metal
Type of locking	Screw locking mechanism
Pg screw connection	none
Degree of protection (plugged in)	IP65 IP67 IP68
Thread type	M23

#### Seal

External cable diameter	3 mm ... 10.5 mm
Seal material	NBR

# RC-07P1N1280EM - Cable connector

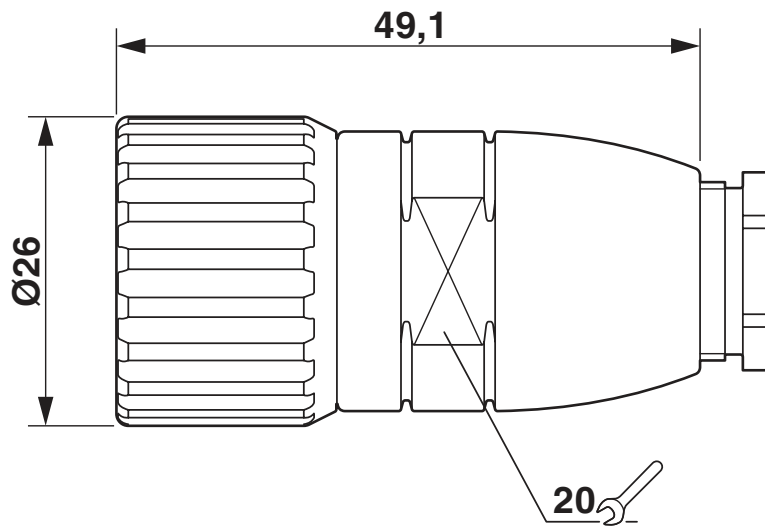
1594323

<https://www.phoenixcontact.com/us/products/1594323>



## Drawings

Dimensional drawing



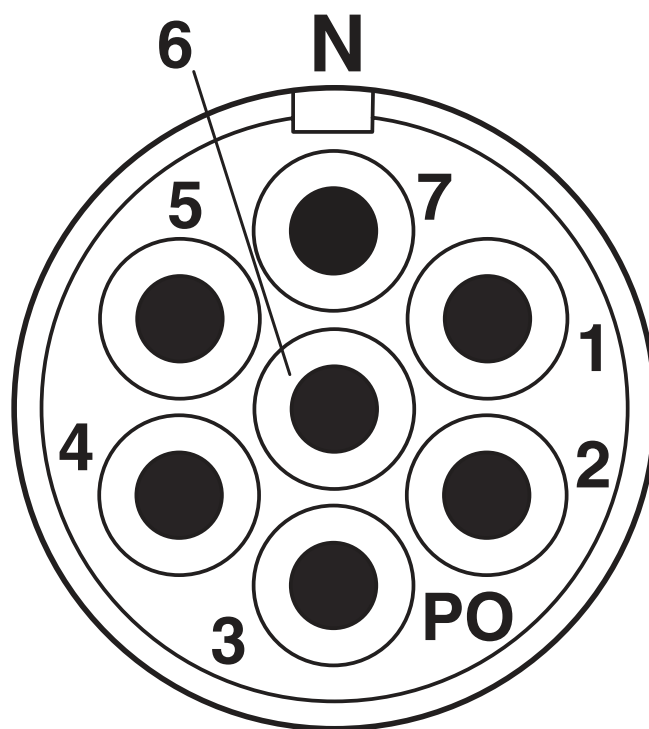
# RC-07P1N1280EM - Cable connector

1594323

<https://www.phoenixcontact.com/us/products/1594323>



Schematic diagram



# RC-07P1N1280EM - Cable connector



1594323

<https://www.phoenixcontact.com/us/products/1594323>

## Classifications

### ECLASS

ECLASS-11.0	27440102
ECLASS-12.0	27440116
ECLASS-13.0	27440116

### ETIM

ETIM 8.0	EC002635
----------	----------

### UNSPSC

UNSPSC 21.0	39121400
-------------	----------

# RC-07P1N1280EM - Cable connector



1594323

<https://www.phoenixcontact.com/us/products/1594323>

## Environmental product compliance

REACH SVHC	Lead 7439-92-1
China RoHS	Environmentally Friendly Use Period = 50 years
	For information on hazardous substances, refer to the manufacturer's declaration available under "Downloads"

Phoenix Contact 2023 © - all rights reserved

<https://www.phoenixcontact.com>

Phoenix Contact USA  
586 Fulling Mill Road  
Middletown, PA 17057, United States  
(+717) 944-1300  
[info@phoenixcon.com](mailto:info@phoenixcon.com)