

# AGS102/AGS102T

## Ultra-Compact IoT Gateway Fanless System

Intel® Atom® x7/x5, Pentium® & Celeron® Processors



Rear I/O



### Specifications

System Mainboard	IB801/ IB802T (F-1 Stepping)
CPU Type	Intel® Atom® x7-E3950/x5-E3940/x5-E3930 & Pentium® N4200/ Celeron® N3350 Series Processors
System Speed	Up to 2.5GHz
Memory	1x 4GB DDR3L-1866 SO-DIMM, Max. 8GB
Rear Panel External I/O	1x DVI-I + 1x DisplayPort connector 4x USB 3.0 ports, 1x USB 2.0 port 2x RJ45 Gigabit Ethernet port 3x LED indicators (HDD, WLAN, WWAN) 1x Power button with Green LED (Silver Power button with Green LED for AGS102, Black Power button with Blue LED for AGS102T) 1x 3-pin DC-in terminal block for 9V-36V 1x Antenna hole for WLAN module AGS102T: 2x RS232/422/485 ports for COM#3/COM#4 AGS102: 2x RS232 ports for COM#3/COM#4 1x 4-in & 4-out GPIO with isolation
Left Panel External I/O	2x RS232/422/485 ports for COM#1/COM#2 1x Antenna hole for WLAN module 1x Line-out (AGS102 for 2W mono speaker, AGS102T for stereo output)
Right Panel External I/O	1x SIM card slot
Expansion Slots	1x Full-size Mini PCI-E socket (USB 2.0 + PCI-E + SATA) 1x 2230 M.2 E-Key socket for WLAN & BT (USB 2.0 + PCI-E) 1x 3042 M.2 B-Key socket for WWAN & SSD (USB 2.0 + SATA)
Storage	1x mSATA socket (Mini-PCI-E) 1x 2242 M.2 B-Key socket for SSD
Construction	Aluminum & steel
Chassis Color	Silver & Gray
Mounting	DIN-rail mounting (DIN-rail mount kit included) Desktop or wall mounting (wall mount kit included)
Dimensions	160mm (W) x 110mm (D) x 44mm (H) 6.3" (W) x 4.33" (D) x 1.73" (H)
Weight	1kg
Operating Temperature	For E-series CPU: -40°C~70°C (-40°F~158°F) For N-series CPU: -20°C~60°C (-4°F~140°F)
Storage Temperature	-40°C ~ 85°C (-40°F~185°F)
Relative Humidity	5~90% @ 45°C, (non-condensing)
Vibration	Operating: 2.0 grms / 5~500Hz / random operation (with IEC 60068-2-64) Non-Operating: 3.0 grms / 5~500Hz / random operation (with IEC 60068-2-64)
Shock	Operating: 30G/11 ms Duration (with MIL-STD-810G) Non-operating: 40G/11 ms Duration (with MIL-STD-810G)
Certification	CE / LVD / FCC Class-B / CCC (AGS102 Only) / UL

### Features

- Intel® Atom® x7-E3950/x5-E3940/x5-E3930 & Pentium® N4200 / Celeron® N3350 Series Processors
- GPIO 4-in & 4-out with isolation function
- Over/Under/Reverse voltage protection
- **Extended operating temperature from -40°C to 70°C**
- 9V~36V DC wide-range power input
- Supports DIN-rail mount & wall mount
- Supports TPM2.0 (AGS102T Only)
- AGS102T: 4x RS232/422/485 serial ports  
AGS102: 2x RS232/422/485 and 2x RS232 serial ports
- Rugged and fanless design

### Ordering Information

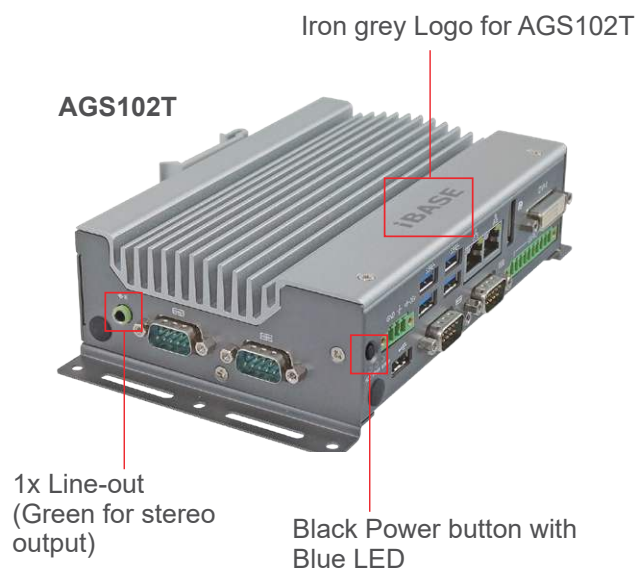
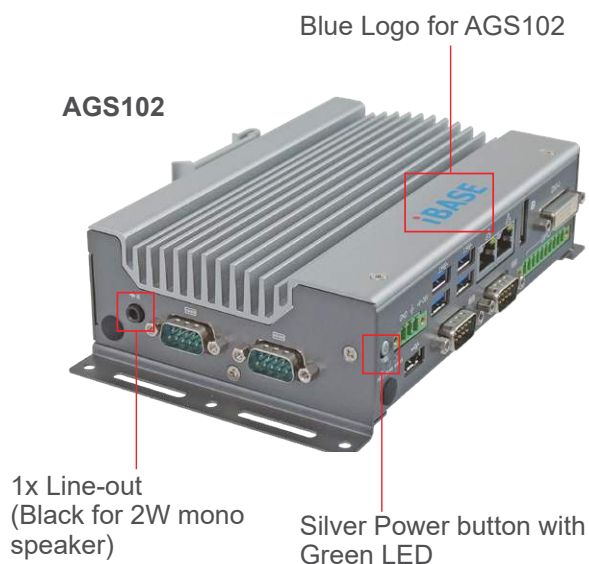
AGS102-I50/ AGS102T-I50	Fanless DIN-rail System supports TPM2.0 (AGS102T Series only) w/ Intel® Atom® Processor x7-E3950, 4x COM, 1x 4GB DDR3L industrial-grade memory, 1x 64GB MLC industrial-grade mSATA SSD, w/o power adaptor
AGS102-I40/ AGS102T-I40	Fanless DIN-rail System supports TPM2.0 (AGS102T Series only) w/ Intel® Atom® Processor x5-E3940, 4x COM, 1x 4GB DDR3L industrial-grade memory, 1x 64GB MLC industrial-grade mSATA SSD, w/o power adaptor
AGS102-I30/ AGS102T-I30	Fanless DIN-rail System supports TPM2.0 (AGS102T Series only) w/ Intel® Atom® Processor x5-E3930, 4x COM, 1x 4GB DDR3L industrial-grade memory, 1x 64GB MLC industrial-grade mSATA SSD, w/o power adaptor
AGS102-420/ AGS102T-420 (MOQ)	Fanless DIN-rail System supports TPM2.0 (AGS102T Series only) w/ Intel® Pentium® Processor N4200, 4x COM, 1x 4GB DDR3L industrial-grade memory, 1x 64GB MLC industrial-grade mSATA SSD, w/o power adaptor
AGS102-335/ AGS102T-335	Fanless DIN-rail System supports TPM2.0 (AGS102T Series only) w/ Intel® Celeron® Processor N3350, 4x COM, 1x 4GB DDR3L industrial-grade memory, 1x 64GB MLC industrial-grade mSATA SSD, w/o power adaptor
60W power adaptor (optional)	60W (12V@5A) power adaptor, bare wire type Compatible with IEC62368-1/EN62368-1
Optional Accessories	WiFi/BT antenna kit, 4G/LTE antenna kit, GPS antenna kit

# AGS102/AGS102T

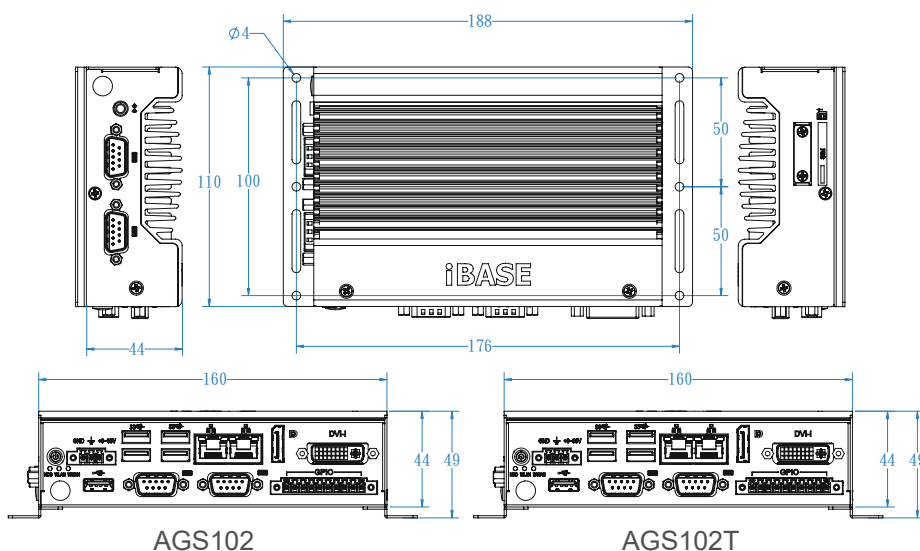
## Intel® Entry Processor Ultra Low Power Reference Table

Processor Number	Intel® Pentium® Processors - 14 nm Apollo-Lake SoC Platform	Intel® Celeron® Processors - 14 nm Apollo-Lake SoC Platform	Intel® Atom® Processors - 14nm Apollo-Lake-I SoC Platform		
	N4200	N3350	x7-E3950	x5-E3940	x5-E3930
Base Freq (GHz)	1.1	1.1	1.6	1.6	1.3
Intel® Turbo Boost Technology 2.0 (GHz)	2.5	2.4	2.0	1.8	1.8
Last Level Cache	2M	2M	2M	2M	2M
Cores/Threads	4/4	2/2	4/4	4/4	2/2
Memory Speed (DDR3L)	1866	1600	1866	1866	1866
TDP	6W	6W	12W	9.5W	6.5W

## Product View



## Dimensions and Drawing



## DIN-rail Mounting

