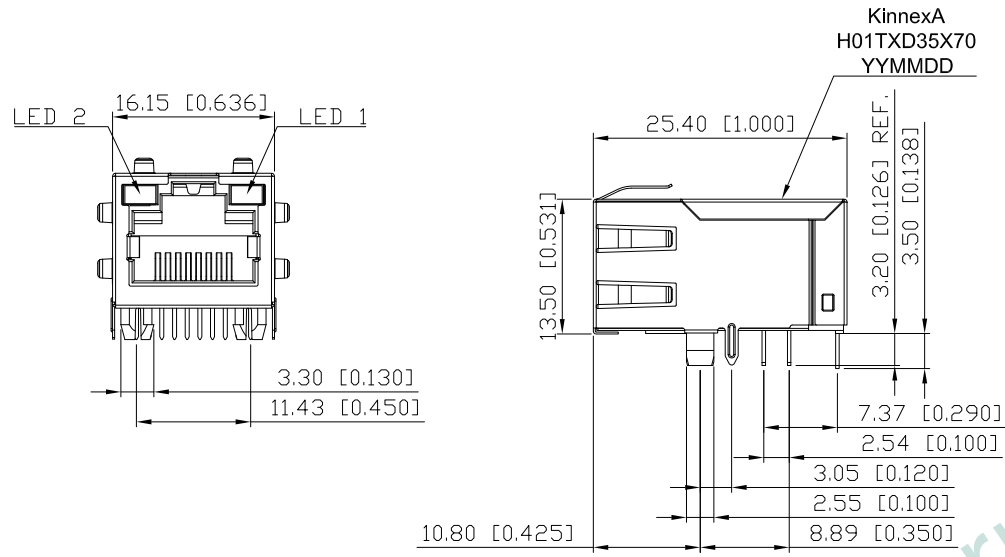


1. MECHANICAL DIMENSIONS :

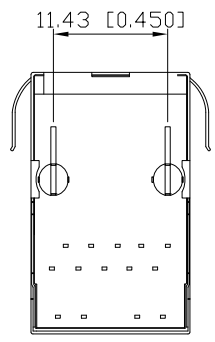
REV.	DATE	DESCRIPTION
02	Sep. 28, '17	UPDATED PROFILE OF WAVE SOLDER & NOTES
01	Jul. 27, '16	1st RELEASE

ROHS Compliant

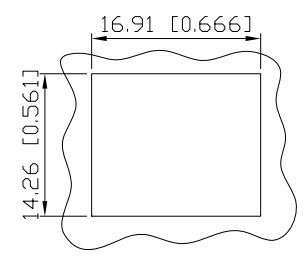
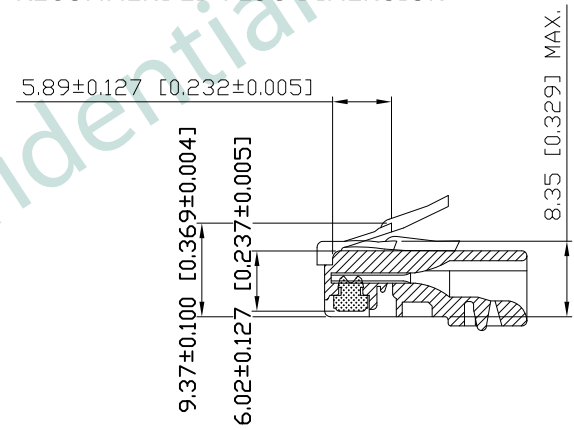
A
B
C
D
E
F



- NOTES:
- MATERIAL:
HOUSING: HIGH THERMOPLASTIC, UL94V-0, BLACK
CONTACTS: T=0.35mm PHOS-BRONZE, 15 μ GOLD PLATING ON CONTACT AREA, NICKEL UNDERPLATING ON OVERALL
SHIELD: T=0.20mm COPPER ALLOY, PLATED NICKEL
 - OPERATING TEMPERATURE: -40°C~+85°C
 - INSERTION FORCE: 4 POUNDS MAX.
EXTRACTION FORCE: 4 POUNDS MAX.
 - DURABILITY: 750 MATING CYCLED MIN.
 - CAVITY CONFORMS TO FCC RULES AND REGULATIONS PART 68, SUBPART F.
 - UNSPECIFIED TOLERANCE: .XX \pm 0.25[0.010]
.X \pm 0.30[0.012]



RECOMMENDED PLUG DIMENSION:

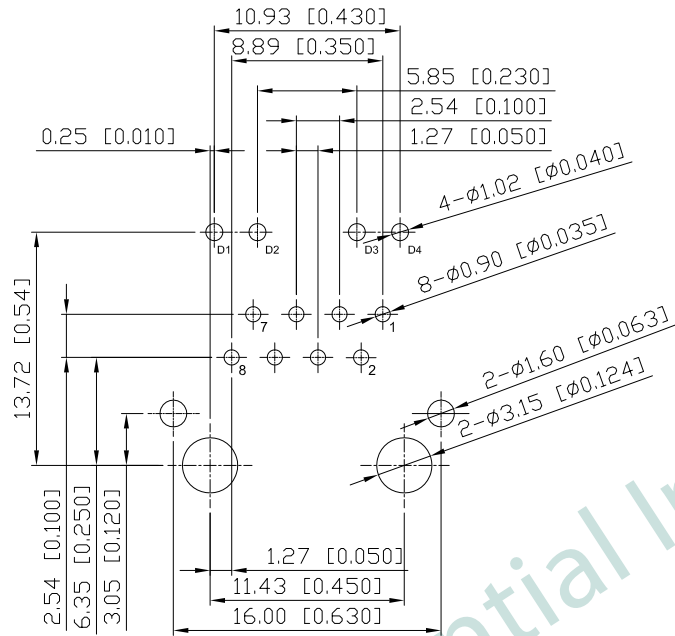


RECOMMENDED PANEL CUTOUT DIMENSION

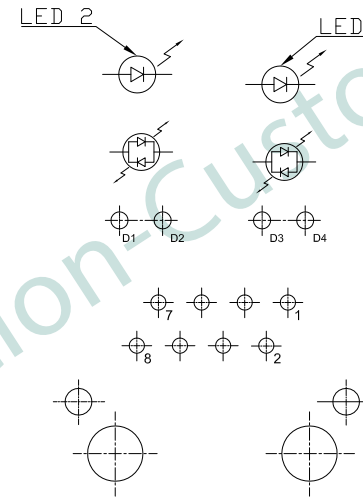
PART NO		KRH-01T-X-D35-X70		
TITLE	RJ45 8P8C, W/ 10/100 TRANSFORMER, W/LED, SHIELDED			
REV : 02				
UNIT	DRAWN	CHKD	DATE	SHEET
mm[inch]	BOCHEN	DANIEL	Sep. 28, '17	1 of 5

2. PCB LAYOUT :

3. LED CONFIGURATION :



SUGGESTED PCB LAYOUT
(TOP VIEW) SCALE:2:1
DIMENSIONAL TOLERANCE: .XX ±0.08[0.003]

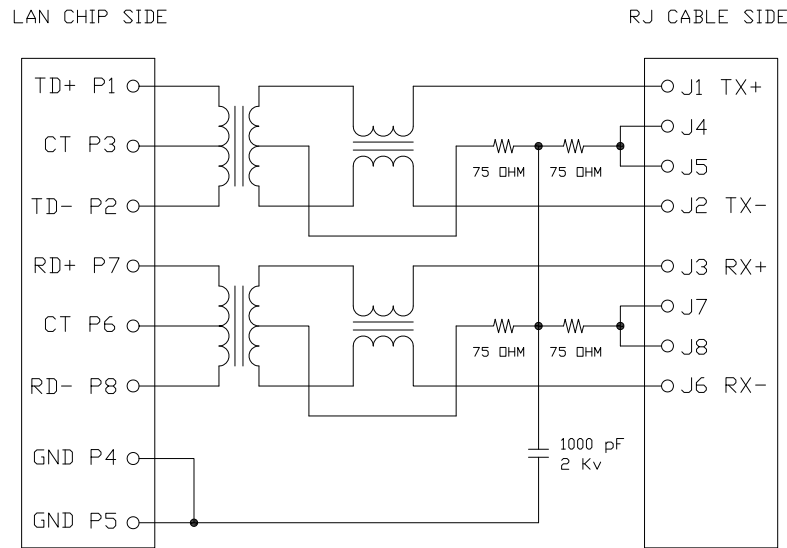


LED Color Options Table

LED Color Options		LED DASH OPTION
Position 2(Left)	Position 1(Right)	
Yellow	Green	1
Green	Yellow	4
Green	Green	5
Yellow/Green	Yellow/Green	8
Green/Yellow	Green/Yellow	A
Green	Green/Yellow	D
Yellow	Green/Yellow	E
Green/Yellow	Green	H

PART NO		KRH-01T-X-D35-X70		
TITLE	RJ45 8P8C, W/ 10/100 TRANSFORMER, W/LED, SHIELDED			
REV : 02				
UNIT	DRAWN	CHKD	DATE	SHEET
mm[inch]	BOCHEN	DANIEL	Sep. 28, '17	2 of 5

4. SCHEMATIC :



5. ELECTRICAL CHARACTERISTICS :

TEST NOTES:(25±5°C)

- 1.TR:
INPUT TO OUTPUT=1:1±3%
- 2.LX:(100KHz,100mV,8mA, DC Bias)
350uH MINIMUM
- 3.DCR:
EVERY RJ PAIR=1.2 Ω MAXIMUM
- 4.HIPDT:
INPUT TO OUTPUT PIN: 1500 VAC/60SEC
- 5.INSERTION LOSS:
-1.0dB MAXIMUM AT 0.3MHz TO 100MHz
- 6.RETURN LOSS:
-20dB MINIMUM AT 1MHz TO 30MHz
-15dB MINIMUM AT 30MHz TO 60MHz
-10dB MINIMUM AT 60MHz TO 80MHz
- 7.CROSS TALK:
-30dB MINIMUM AT 1MHz TO 100MHz
- 8.COMMON TO COMMON MODE REJECTION:
-30dB MINIMUM AT 1MHz TO 100MHz

KRH-01T-X-D35-X70

PRODUCT SERIES
KRH: LATCH UP

MECHANICAL TYPE
01T: KPH 1 PORT, LENGTH=25.4mm,
STAGGERED PINS

LED COLOR OPTION

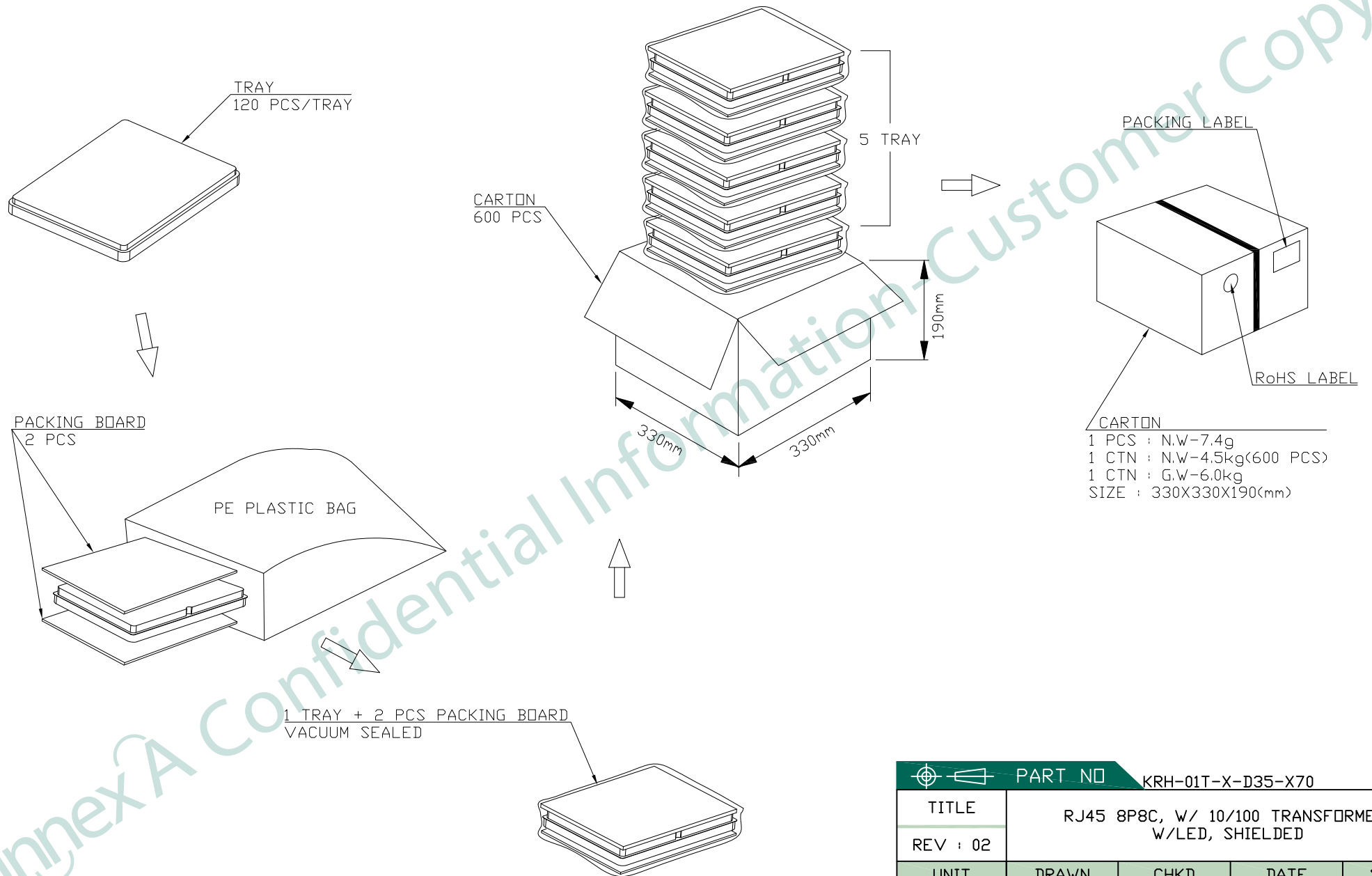
CIRCUIT TYPE

LED POLARITY


SPECIAL CODE
0: STANDARD
SHIELDED TYPE
7: EMI FINGER ON ALL SIDE

PART NO		KRH-01T-X-D35-X70		
TITLE	RJ45 8P8C, W/ 10/100 TRANSFORMER, W/LED, SHIELDED			
REV : 02				
UNIT	DRAWN	CHKD	DATE	SHEET
mm[inch]	BOCHEN	DANIEL	Sep. 28, '17	3 of 5

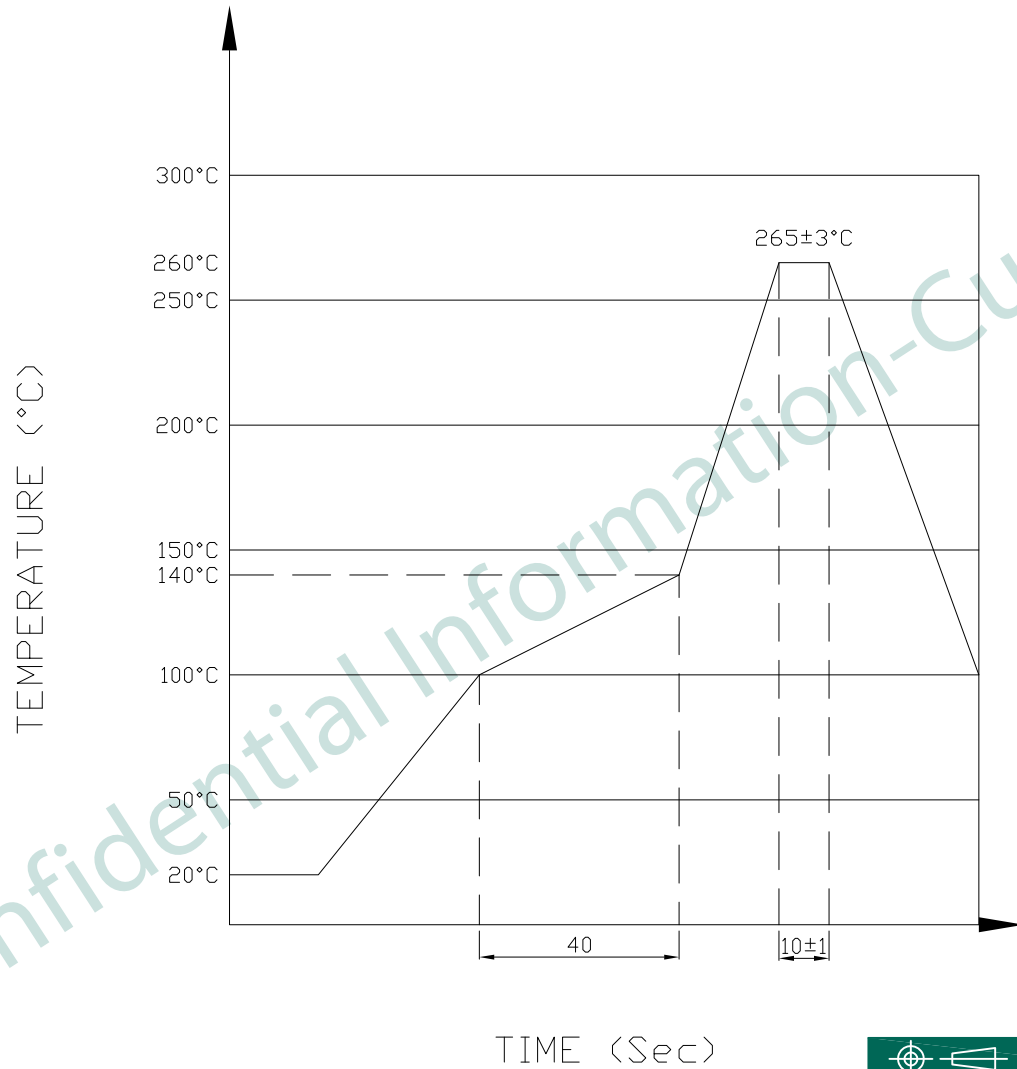
6. PACKING SPECIFICATION:



CARTON
 1 PCS : N.W-7.4g
 1 CTN : N.W-4.5kg(600 PCS)
 1 CTN : G.W-6.0kg
 SIZE : 330X330X190(mm)

 PART NO		KRH-01T-X-D35-X70		
TITLE	RJ45 8P8C, W/ 10/100 TRANSFORMER, W/LED, SHIELDED			
REV : 02				
UNIT	DRAWN	CHKD	DATE	SHEET
mm[inch]	BOCHEN	DANIEL	Sep. 28, '17	4 of 5

7. PROFILE OF WAVE SOLDER : \triangle 02



The measuring point for the specified temperature shall be on the soldered part of the lead

PART NO		KRH-01T-X-D35-X70		
TITLE	RJ45 8P8C, W/ 10/100 TRANSFORMER, W/LED, SHIELDED			
REV : 02				
UNIT	DRAWN	CHKD	DATE	SHEET
mm[inch]	BOCHEN	DANIEL	Sep. 28, '17	5 of 5