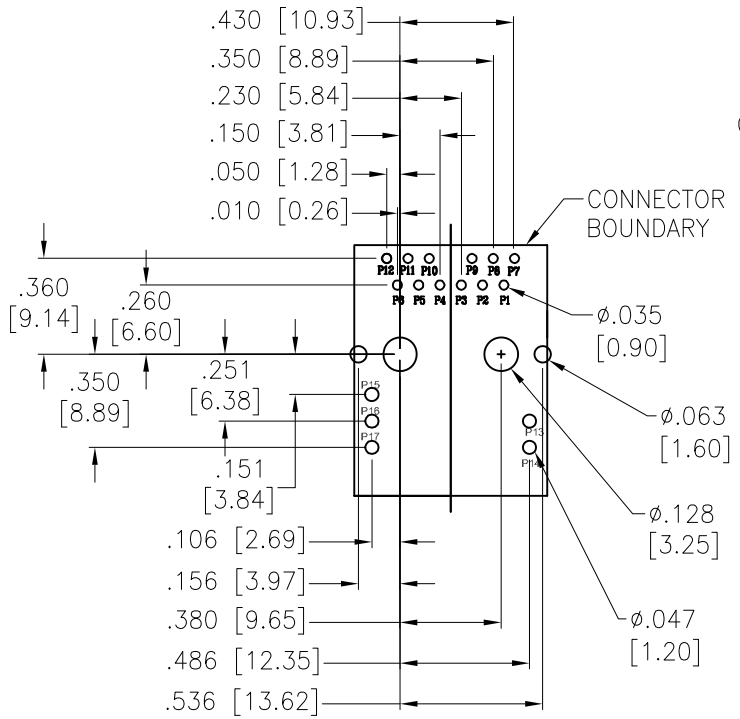
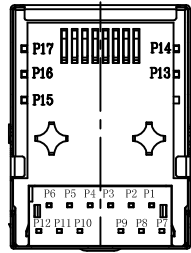
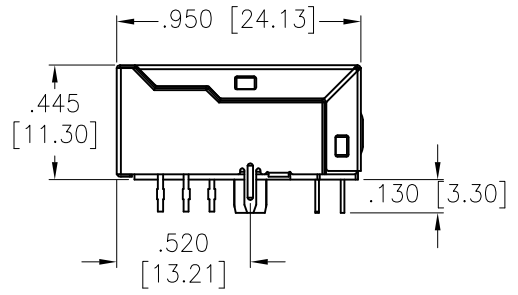
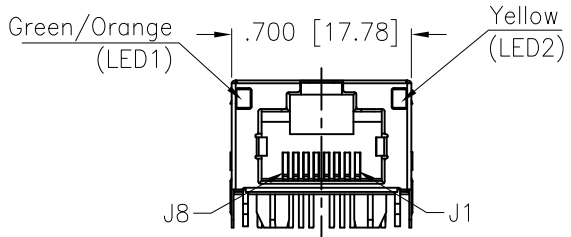


Rev	AWO #	Description	Date	Appr
-		RELEASED	11/12/18	

APPROVED: \_\_\_\_\_  
DATE: \_\_\_\_\_ TITLE: \_\_\_\_\_



RECOMMENDED PCB LAYOUT



**SPECIFICATIONS:**  
Material:  
Insulator: Thermoplastic, rated UL 94V-0  
Insulator color: Black  
Contacts: Phosphor Bronze  
Shield: Brass, Nickel plated  
Plating:  
Round contact  
Gold over Nickel underplate overall  
Flat contact  
Gold over Nickel underplate on contact area  
Tin over Nickel underplate on solder tails  
Electrical:  
Voltage rating: 150 VAC  
Contact Resistance: 20 mohms max  
Insulation resistance: 500 Mohms min  
Dielectric withstanding voltage: 2,250 VDC  
Temperature Rating:  
Operating temperature: -40°C to +85°C  
Environmental:  
Lead free, RoHS compliant.



UNLESS OTHERWISE SPECIFIED  
ALL DIMENSIONS ARE INCHES [MM]  
TOLERANCES: EXCEPT AS NOTED

.X ± .10	∅.X ± .10
.XX ± .020	∅.XX ± .015
.XXX ± .015	∅.XXX ± .010

APPROVALS		DATE
DRAWN	AY	11/12/18
CHECKED	NL	11/12/18
APPROVED		

**ADAM TECH INTERCONNECTS** 909 Rahway Avenue,  
Union, NJ 07083  
Phone: 908-687-5000  
Fax: 908-687-5710

TITLE: MODULAR JACK, 1 PORT, 8P8C  
W/ LED1 GREEN/ORANGE, LED2 YELLOW

SIZE	PART NO.	REV.
X	MTJ-88SUX1-FS-VL28-M186C-WOT	-

REF: S00005C SCALE: NTS SHEET 1 OF 2

6

5

4

3

2

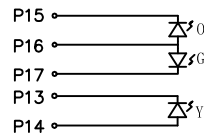
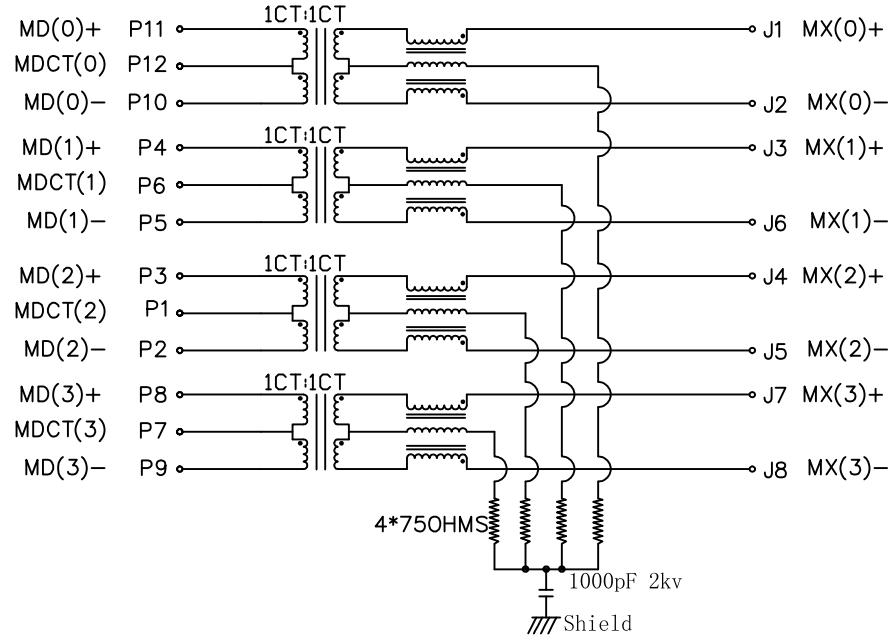
1

APPROVED: \_\_\_\_\_

DATE: \_\_\_\_\_ TITLE: \_\_\_\_\_

Rev	AWO #	Description	Date	Appr
SEE SHT 1 OF 2 FOR REVISION				

### Circuit Schematic:



Pin	Yellow	Orange	Green
P13	-	P15 -	
P14	+	P16 +	+
		P17	-

### Electronical Specifications:

- Turn Ratio @100KHz: (P11~P10):(J1~J2) = 1:1±5%  
(P4~P5):(J3~J6) = 1:1±5%  
(P3~P2):(J4~J5) = 1:1±5%  
(P8~P9):(J7~J8) = 1:1±5%
- Primary Inductance: 350uH MIN @100KHZ,0.1V 8mA DC BIAS
- DC Resistance: 1.2 OHMS MAX
- Insertion Loss: 1-100MHz -1.0dB MAX  
100-125MHz -1.2dB MAX
- Return Loss: 1-40MHz -16dB MIN  
40-60MHz -12dB MIN  
60-80MHz -10dB MIN  
80-100MHz -8dB MIN
- CROSS TALK: 1-100MHz -30dB MIN
- COMMON TO COMMON MODE ATTENUATION: 1-100MHz -30dB MIN
- Isolation: PHY Side to Line Side: 2250VDC

UNLESS OTHERWISE SPECIFIED  
ALL DIMENSIONS ARE INCHES [MM]  
TOLERANCES: EXCEPT AS NOTED  
INCHES HOLES

.X ± .10	Ø.X ± .10
.XX ± .020	Ø.XX ± .015
.XXX ± .015	Ø.XXX ± .010

**ADAM TECH**  
INTERCONNECTS

909 Rahway Avenue,  
Union, NJ 07083  
Phone: 908-687-5000  
Fax: 908-687-5710

TITLE: MODULAR JACK, 1 PORT, 8P8C  
W/ LED1 GREEN/ORANGE, LED2 YELLOW

APPROVALS		DATE
DRAWN	AY	11/12/18
CHECKED	NL	11/12/18
APPROVED		

SIZE	PART NO.	REV.
X	MTJ-88SUX1-FS-VL28-M186C-WOT	-
REF: S00005C	SCALE: NTS	SHEET 2 OF 2

6

5

4

3

2

1