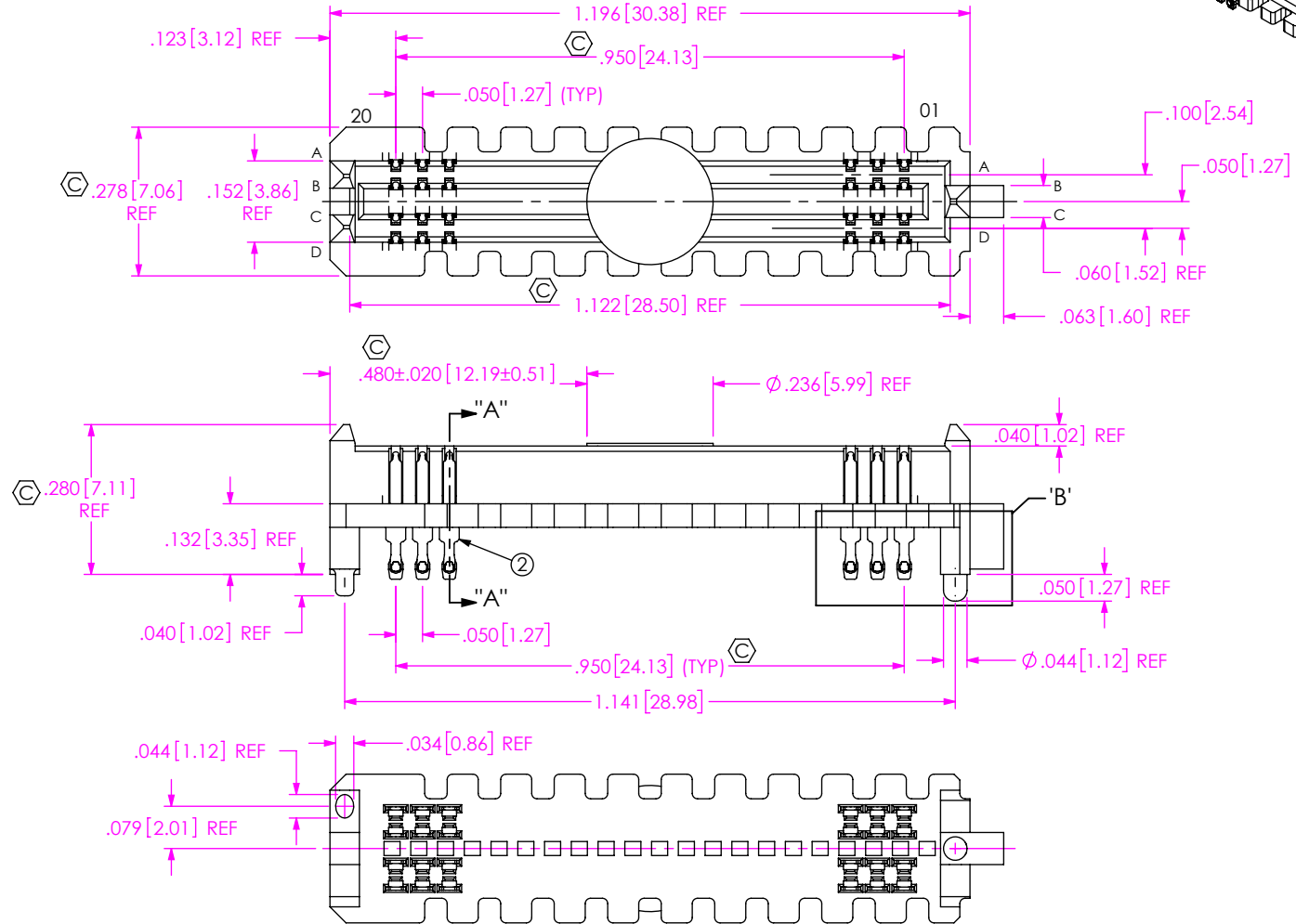
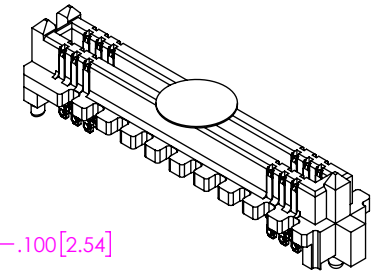


DO NOT
SCALE FROM
THIS PRINT

- NOTES:
1. STANDARD PART SET UP AS ASP FOR VITA 57.4.
 2. Ⓢ REPRESENTS A CRITICAL DIMENSION.
 3. MINIMUM PUSHOUT FORCE: 0.50 LBS.
 4. DIMENSION MUST BE MEASURED USING INSPECTION FIXTURE AT-1817-836-1, USE CO-AU-WI-2003-M FOR PROCESS.
 5. MEASURED FIRST & LAST POSITIONS ONLY, ALL ROW.
 6. PARTS TO BE PACKAGED IN TAPE & REEL.
ATTACH LABEL "SEAX-0001" TO EACH TAPE & REEL PACKAGE.
 7. FOR QUANTITIES UP TO 49 PIECES, NO LEADER, TRAILER, OR REEL WILL BE SUPPLIED.
FOR QUANTITIES 50 - 124, NO LEADER OR TRAILER WILL BE SUPPLIED.



ITEM NO.	PART NUMBER	QUANTITY	MATERIAL
1	SEAM-20-03.5-04-A	1.0000	VECTRA E130i, COLOR: BLACK
2	NEW-SUB-T-1M36-03.5-STL-1	80.000	COPPER ALLOY/LEADED SOLDER
3	K-DOT-.236-.343-.005	1.0000	POLYIMIDE FILM
4	CT-SEAM028MS	.00333	CONDUCTIVE POLYMER

UNLESS OTHERWISE SPECIFIED, DIMENSIONS ARE IN INCHES.

TOLERANCES ARE:

DECIMALS	ANGLES
.XX: ±.01[0.3]	2°
.XXX: ±.005[0.13]	
.XXXX: ±.0020[0.051]	

PROPRIETARY NOTE
THIS DOCUMENT CONTAINS CONFIDENTIAL AND PROPRIETARY INFORMATION AND ALL DESIGN, MANUFACTURING, REPRODUCTION, USE, PATENT RIGHTS AND SALES RIGHTS ARE EXPRESSLY RESERVED BY SAMTEC, INC. THIS DOCUMENT SHALL NOT BE DISCLOSED, IN WHOLE OR PART, TO ANY UNAUTHORIZED PERSON OR ENTITY NOR REPRODUCED, TRANSFERRED OR INCORPORATED IN ANY OTHER PROJECT IN ANY MANNER WITHOUT THE EXPRESS WRITTEN CONSENT OF SAMTEC, INC.

DO NOT SCALE DRAWING SHEET SCALE: 1:1

PLATING:
CONTACT AREA: .000030 GOLD OVER .000050 NICKEL
REMAINDER: .000200 REF TIN/LEAD (90/10) OVER .000050 NICKEL

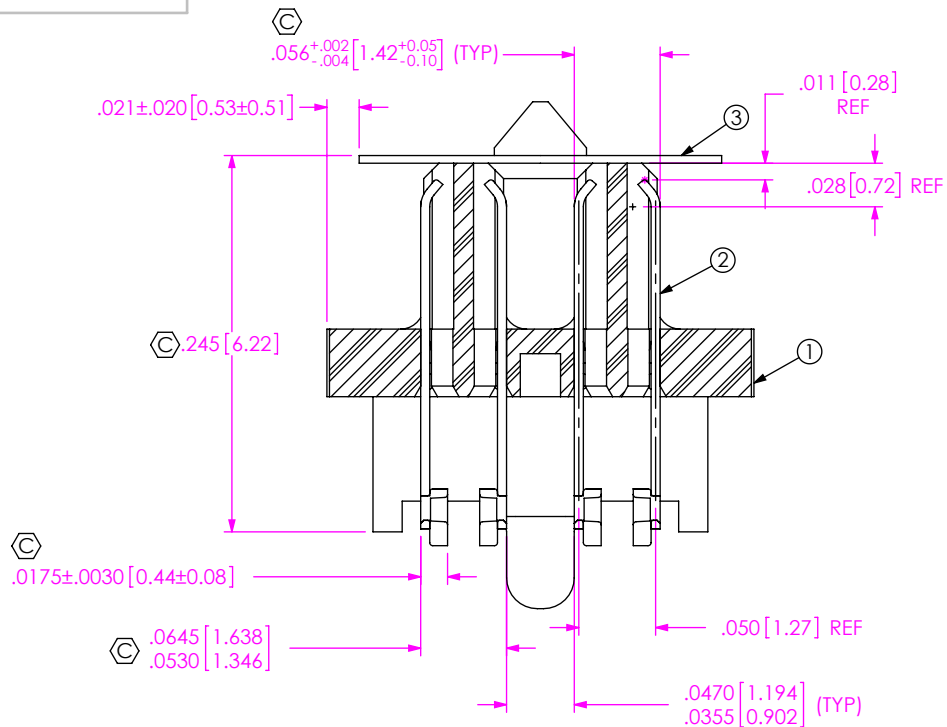
samtec
520 PARK EAST BLVD., NEW ALBANY, IN 47150
PHONE: 812-944-6733 FAX: 812-948-5047
e-Mail: info@SAMTEC.com code 53322

DESCRIPTION:
VITA 57.4 .050 PITCH TERMINAL ARRAY ASM

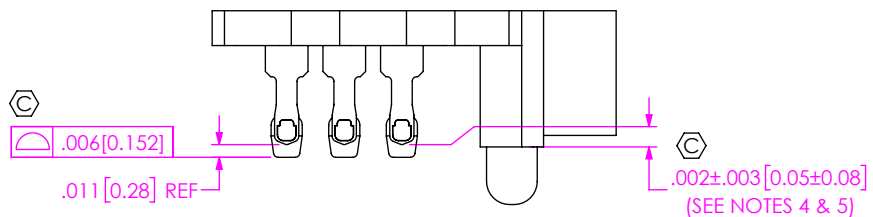
DWG. NO. ASP-208572-01

BY: J. BROWNING 01/21/2019 SHEET 1 OF 3

F:\DWG\MISC\MKTG\ASP-208572-01-MKT.SLDRW



SECTION "A"-"A"
SCALE 8 : 1



DETAIL 'B'
SCALE 6 : 1

PROPRIETARY NOTE
THIS DOCUMENT CONTAINS CONFIDENTIAL AND PROPRIETARY INFORMATION AND ALL DESIGN, MANUFACTURING, REPRODUCTION, USE, PATENT RIGHTS AND SALES RIGHTS ARE EXPRESSLY RESERVED BY SAMTEC, INC. THIS DOCUMENT SHALL NOT BE DISCLOSED, IN WHOLE OR PART, TO ANY UNAUTHORIZED PERSON OR ENTITY NOR REPRODUCED, TRANSFERRED OR INCORPORATED IN ANY OTHER PROJECT IN ANY MANNER WITHOUT THE EXPRESS WRITTEN CONSENT OF SAMTEC, INC.

SHEET SCALE: 1:1

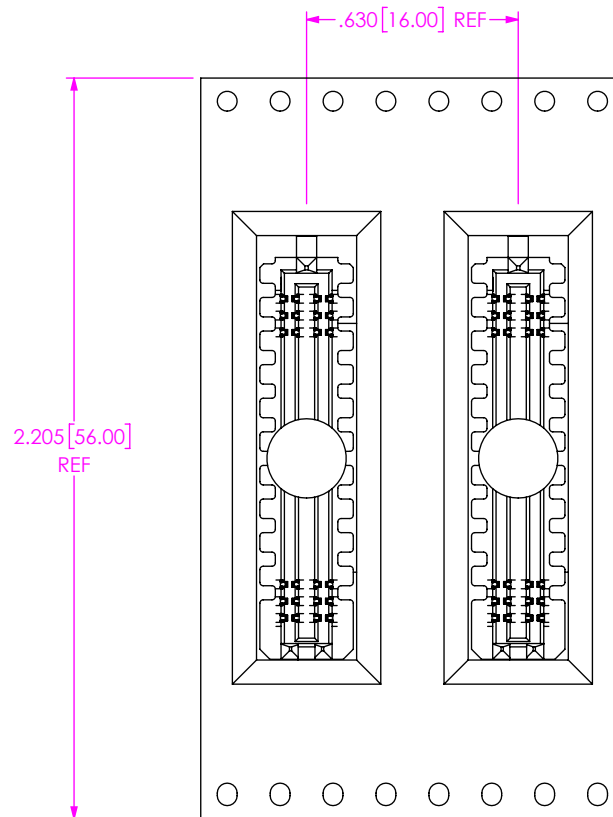
samtec

520 PARK EAST BLVD. NEW ALBANY, IN 47150
PHONE: 812-944-6733 FAX: 812-948-5047
e-Mail info@SAMTEC.com code 55322

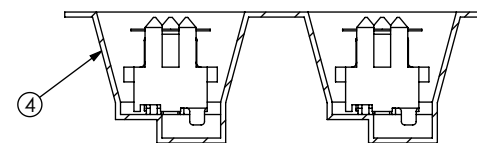
DESCRIPTION:
VITA 57.4 .050 PITCH TERMINAL ARRAY ASM

DWG. NO.
ASP-208572-01

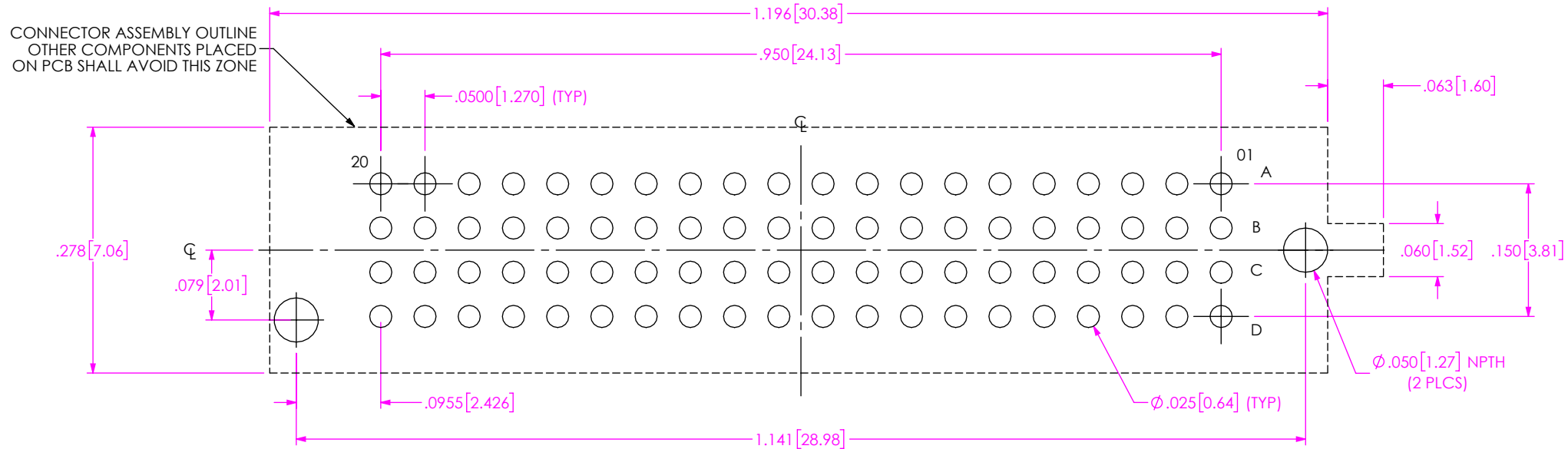
BY: J. BROWNING 01/21/2019 SHEET 2 OF 3



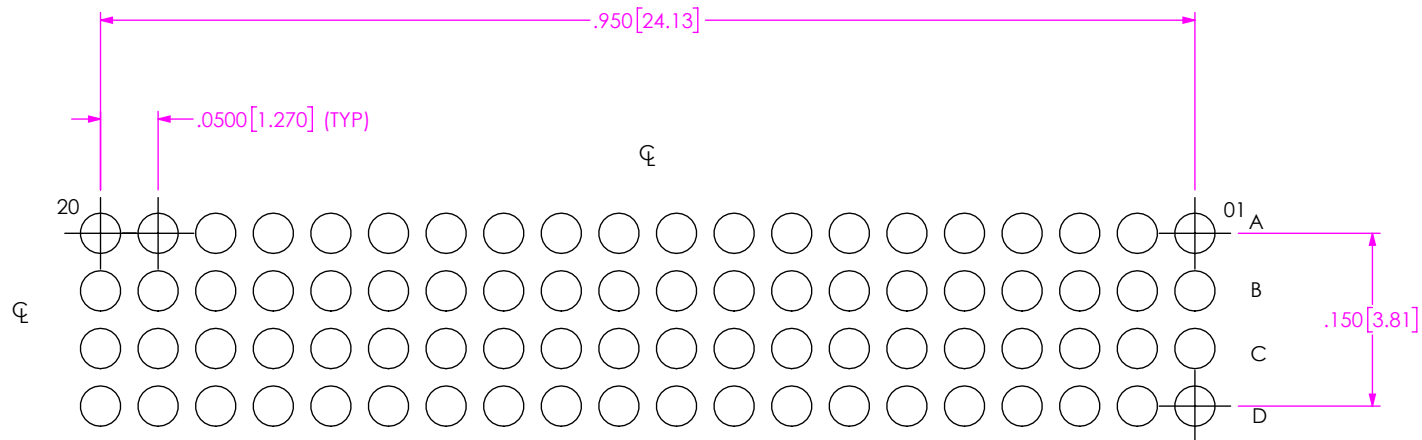
USER DIRECTION OF UN-REELING →
POCKET NOT DETAILED



PACKAGING VIEW



RECOMMENDED PCB LAYOUT
ALL DIMENSIONS ARE SYMMETRIC ABOUT CENTERLINE



RECOMMENDED STENCIL LAYOUT
STENCIL TO BE .0060[0.152] THICK

PROPRIETARY NOTE
THIS DOCUMENT CONTAINS CONFIDENTIAL AND PROPRIETARY INFORMATION AND ALL DESIGN, MANUFACTURING, REPRODUCTION, USE, PATENT RIGHTS AND SALES RIGHTS ARE EXPRESSLY RESERVED BY SAMTEC, INC. THIS DOCUMENT SHALL NOT BE DISCLOSED, IN WHOLE OR PART, TO ANY UNAUTHORIZED PERSON OR ENTITY NOR REPRODUCED, TRANSFERRED OR INCORPORATED IN ANY OTHER PROJECT IN ANY MANNER WITHOUT THE EXPRESS WRITTEN CONSENT OF SAMTEC, INC.

SHEET SCALE: 6:1



520 PARK EAST BLVD, NEW ALBANY, IN 47150
PHONE: 812-944-6733 FAX: 812-948-5047
e-Mail info@SAMTEC.com code 55322

DESCRIPTION:
VITA 57.4 .050 PITCH TERMINAL ARRAY ASM

DWG. NO.
ASP-208572-01

BY: J. BROWNING 01/21/2019 SHEET 3 OF 3