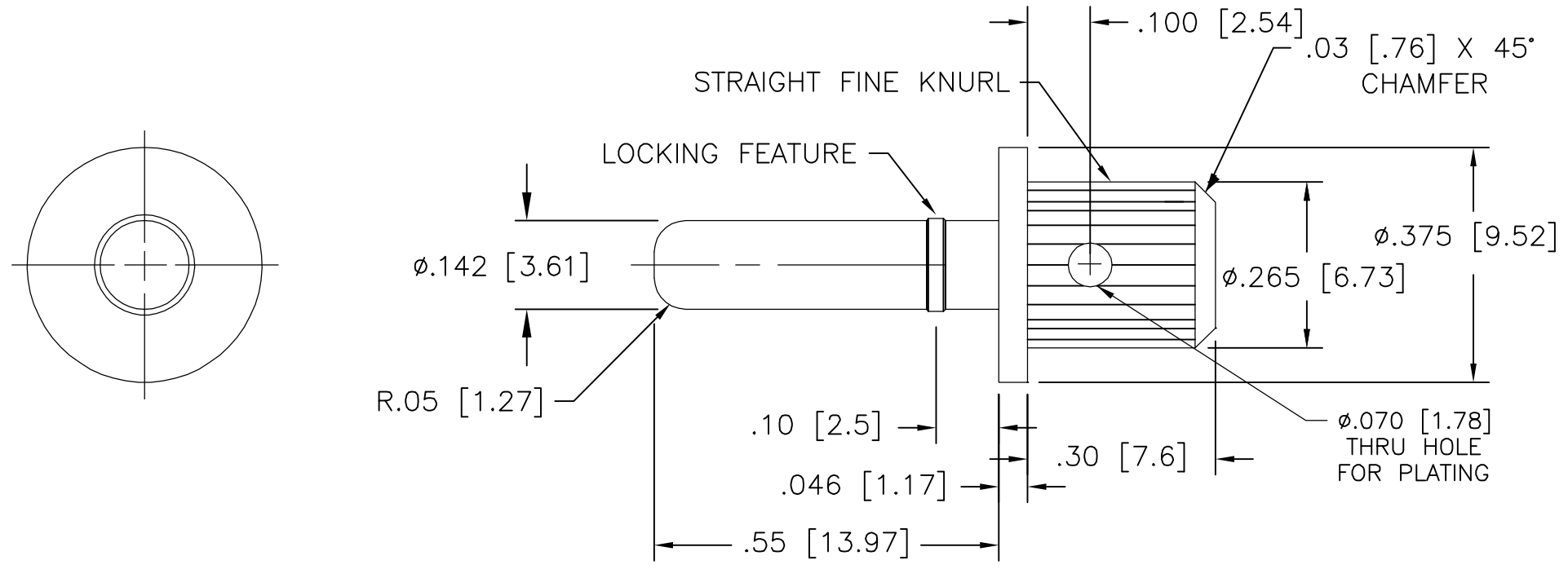


THIS DRAWING IS UNPUBLISHED. RELEASED FOR PUBLICATION  
 © COPYRIGHT - BY TYCO ELECTRONICS CORPORATION. ALL RIGHTS RESERVED.

LOC	DIST	REVISIONS			
P	LTR	DESCRIPTION	DATE	DWN	APVD
GP	00	B	REV PER ECO-06-026016	07NOV06	RG SF



- PART NUMBER CHANGES AND/OR DESIGN CHANGES AFFECTING ITEM INTERCHANGEABILITY REQUIRE PRIOR ELCON APPROVAL AND AUTHORIZATION BY REVISION TO THIS DRAWING.
- ITEMS PROVIDED TO THIS SPECIFICATION SHALL BE IDENTIFIED ON THE CONTAINER WITH THE FOLLOWING INFORMATION: PART NUMBER & DATE CODE OF MANUFACTURE.

- 3 MATERIAL - PIN CONTACT: COPPER ALLOY
- 4 FINISH - PIN CONTACT: SILVER .00020 MIN THK. OVER NICKEL .000040 MIN THK.

AS SHOWN	1766857-1
DESCRIPTION	PART NUMBER

THIS DRAWING IS A CONTROLLED DOCUMENT.		DWN R.GRZYBOWSKI 24APR2006	Tyco Electronics Corporation Harrisburg, PA 17105-3608	
DIMENSIONS: INCHES		CHK S.FLICKINGER 24APR06		
TOLERANCES UNLESS OTHERWISE SPECIFIED:		APVD S.FLICKINGER 24APR06	NAME PIN CONTACT, SIZE # 8, SWAGE MOUNT LOCKING STYLE, PRESS FIT	
0 PLC ± - 1 PLC ± - 2 PLC ± .02 { .5 } 3 PLC ± .010 [ .25 ] 4 PLC ± - ANGLES ± .5		PRODUCT SPEC -	RESTRICTED TO -	
MATERIAL		APPLICATION SPEC -	SIZE A3	CAGE CODE 00779
FINISH		WEIGHT -	DRAWING NO C-1766857	REV B
3		CUSTOMER DRAWING		SCALE 1:1
4		SHEET 1 OF 1		

ELCON PIN CONTACT