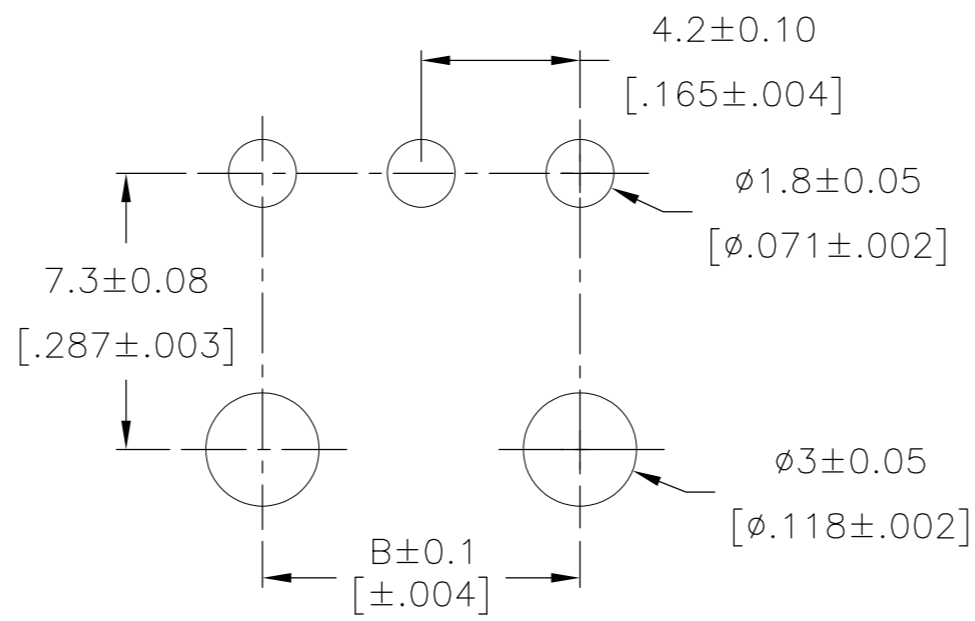
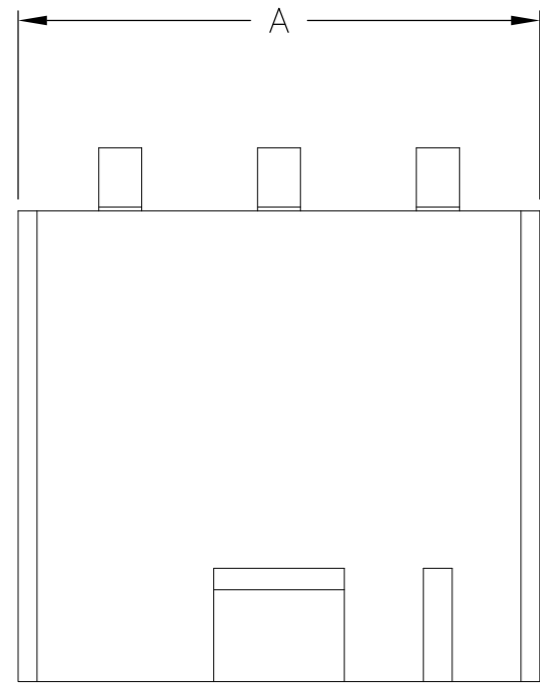


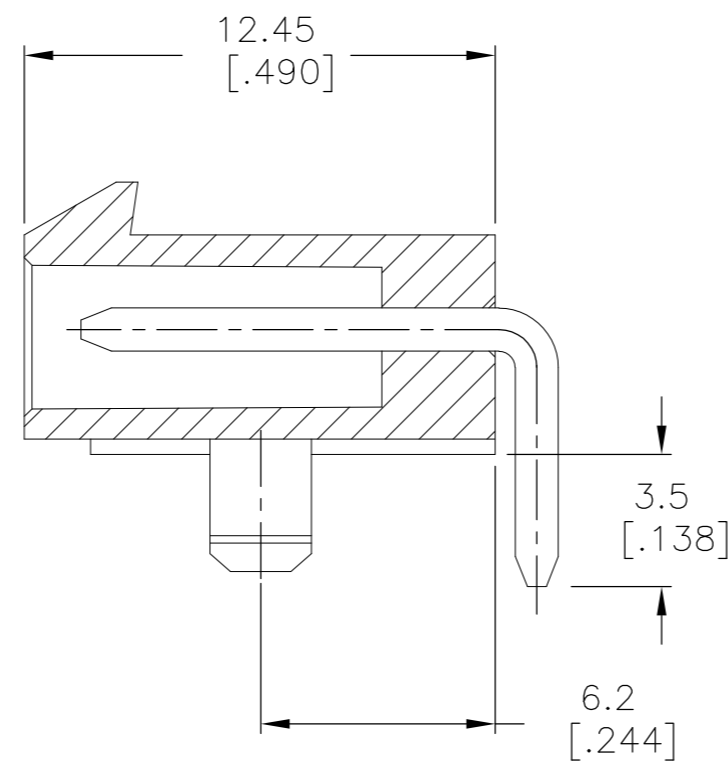
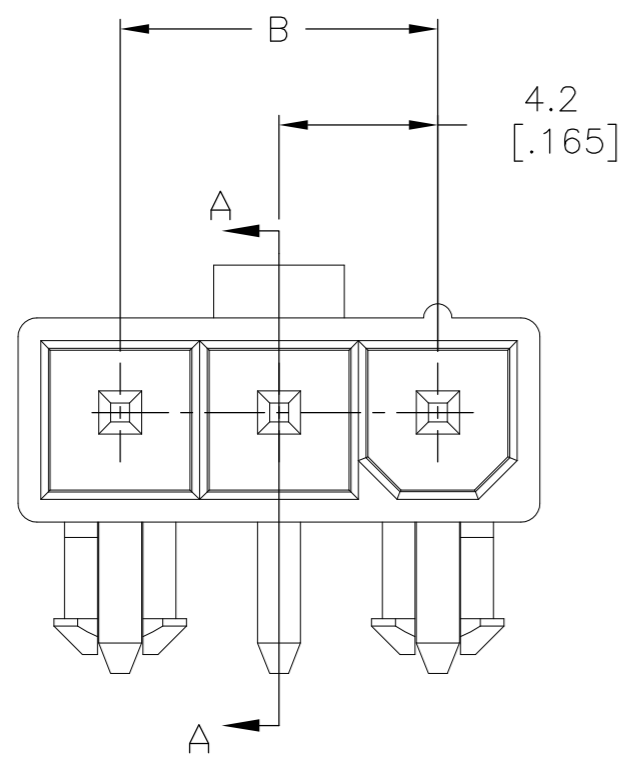
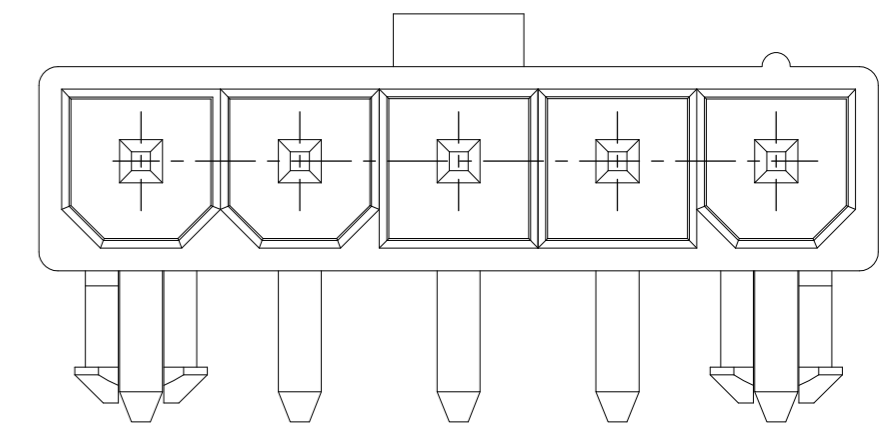
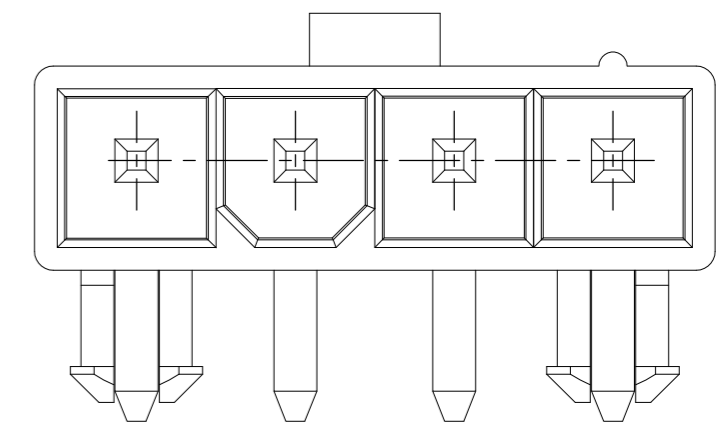
THIS DRAWING IS UNPUBLISHED. RELEASED FOR PUBLICATION  
 © COPYRIGHT BY TYCO ELECTRONICS CORPORATION. ALL RIGHTS RESERVED.

LOC	DIST	REVISIONS			
P	LTR	DESCRIPTION	DATE	DWN	APVD
CM	00	A	RELEASED	16OCT2008	KW CC



RECOMMENDED MOUNTING HOLE PATTERN FOR  
 1.78 [.070] MAX THK P.C. BOARD

1 MATERIAL: HOUSING: NYLON, UL94V-2  
 CONTACTS: BRASS, TIN-PLATED



SECTION A-A

2029150-3 SHOWN

5	16.8 [.661]	22.2 [.874]	2029150-5
4	12.6 [.496]	18 [.709]	2029150-4
3	8.4 [.330]	13.8 [.543]	2029150-3
POS	B	A	PART NUMBER

METRIC

DIMENSIONS:		TOLERANCES UNLESS OTHERWISE SPECIFIED:		THIS DRAWING IS A CONTROLLED DOCUMENT.		DWN		Tyco Electronics		Tyco Electronics Corporation	
mm	[INCHES]	0 PLC	±	14OCT2008	K. WHITAKER	Tyco Electronics Corporation		Harrisburg, PA 17105-3608			
		1 PLC	± 0.13 [.005]	14OCT2008	C. CASH	NAME		RIGHT ANGLE HEADER, WITH PEGS, 94V-2, VAL-U-LOK(TM)			
		2 PLC	± 0.13 [.005]		C. CASH	PRODUCT SPEC		SIZE	CAGE CODE	DRAWING NO	RESTRICTED TO
		3 PLC	± -		C. CASH	APPLICATION SPEC		A2	00779	C=2029150	-
		4 PLC	± -			WEIGHT		SCALE	SHEET	REV	
		ANGLES	± -			CUSTOMER DRAWING		5:1	1 of 1	A	
		FINISH	±								