

- RM10 Core Design
- Made with UL Approved Materials
- Industrial Operating Temp Range: -40°C to +85°C

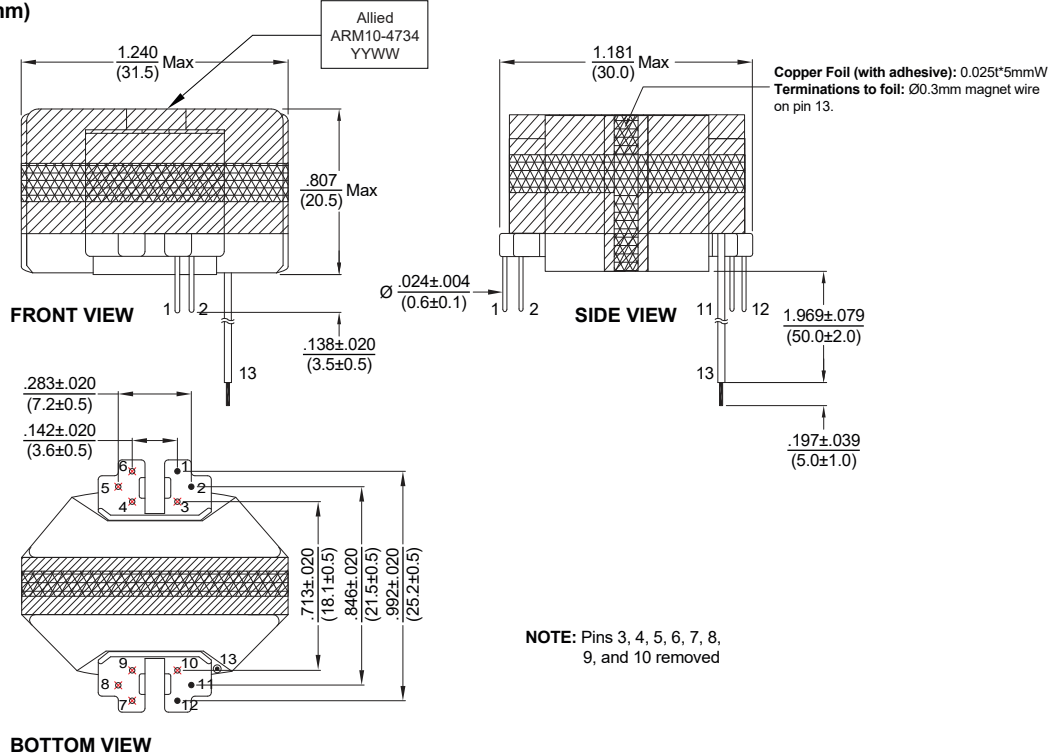


Primary Electrical Specifications @ 25°C					
Inductance @ 10KHz, 1.0Vrms	DC Resistance (mΩ) Max	Rated Current (A)	HI-POT (50Hz) VAC/5mA/3SEC		Insulation Resistance VDC (100MΩ min)
			Coil - Core	Shield - Core	
(11,12 - 1,2)	(11,12 - 1,2)	2.8	Coil - Core	Shield - Core	Coil - Core
200μH ±5%	115		600	600	

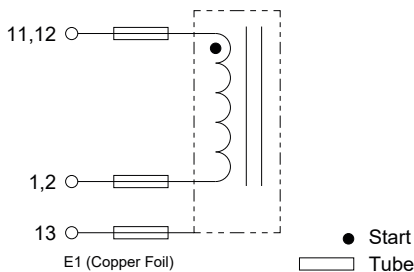
All specifications subject to change without notice.

MECHANICAL

DIMENSIONS: $\frac{\text{inch}}{\text{mm}}$



SCHEMATIC



WINDING CONSTRUCTION

