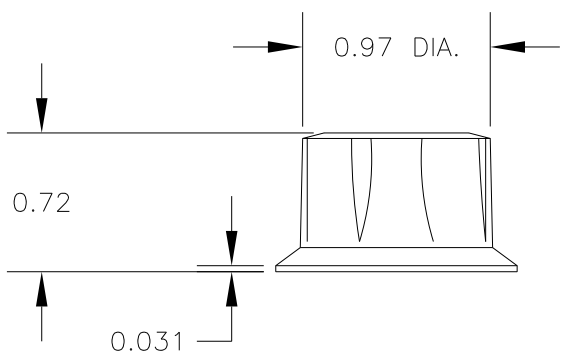
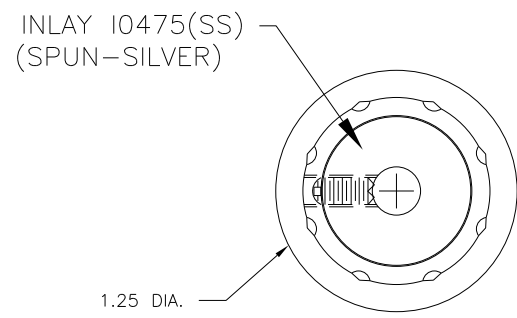


PART NAME: KNOB SCALE: 1:1 DATE: 11/15/95 DR. BY HD

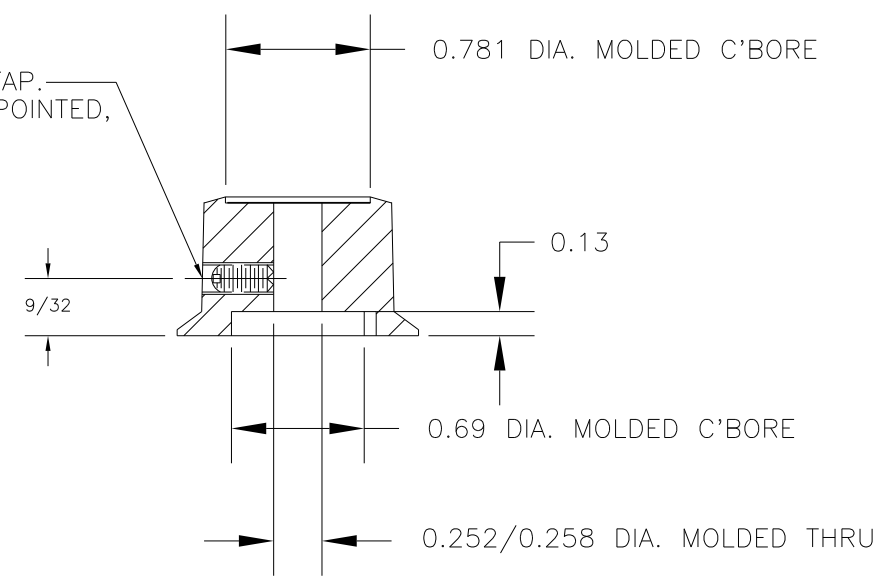
THIS DRAWING IS THE PROPERTY OF DAVIES MOLDING COMPANY, IS SUBMITTED SOLELY AS A DESIGN OR ENGINEERING PROJECT. WE ACCEPT NO RESPONSIBILITY WHATSOEVER FOR THE PRACTICAL APPLICATION OF THE PIECES MADE TO THIS DESIGN.

DAVIES MOLDING COMPANY
CAROL STREAM, ILLINOIS 60188

P/N 1925AW	
BASE PART	1925-01
SET SCREW	I0358
INLAY	I0475(SS)



DRILL AND TAP.
8-32 X 5/16 LG. CUP POINTED,
SLOTTED TYPE, SET SCREWS
I0358, (1) REQ'D.



MATERIAL: G.P. PHENOLIC (B11)
COLOR: BLACK

TOLERANCES: UNLESS OTHERWISE SPECIFIED	DO NOT SCALE DRAWING			
DECIMALS: X.XXX ± .005 X.XX ± .015	MM: X.XX ± 0.15MM X.X ± 0.4MM	-	UPDATED TOOLBOX	JAM 10/28/02
FRACTIONS ± 1/64	ANG. ± 1°	CHANGES		