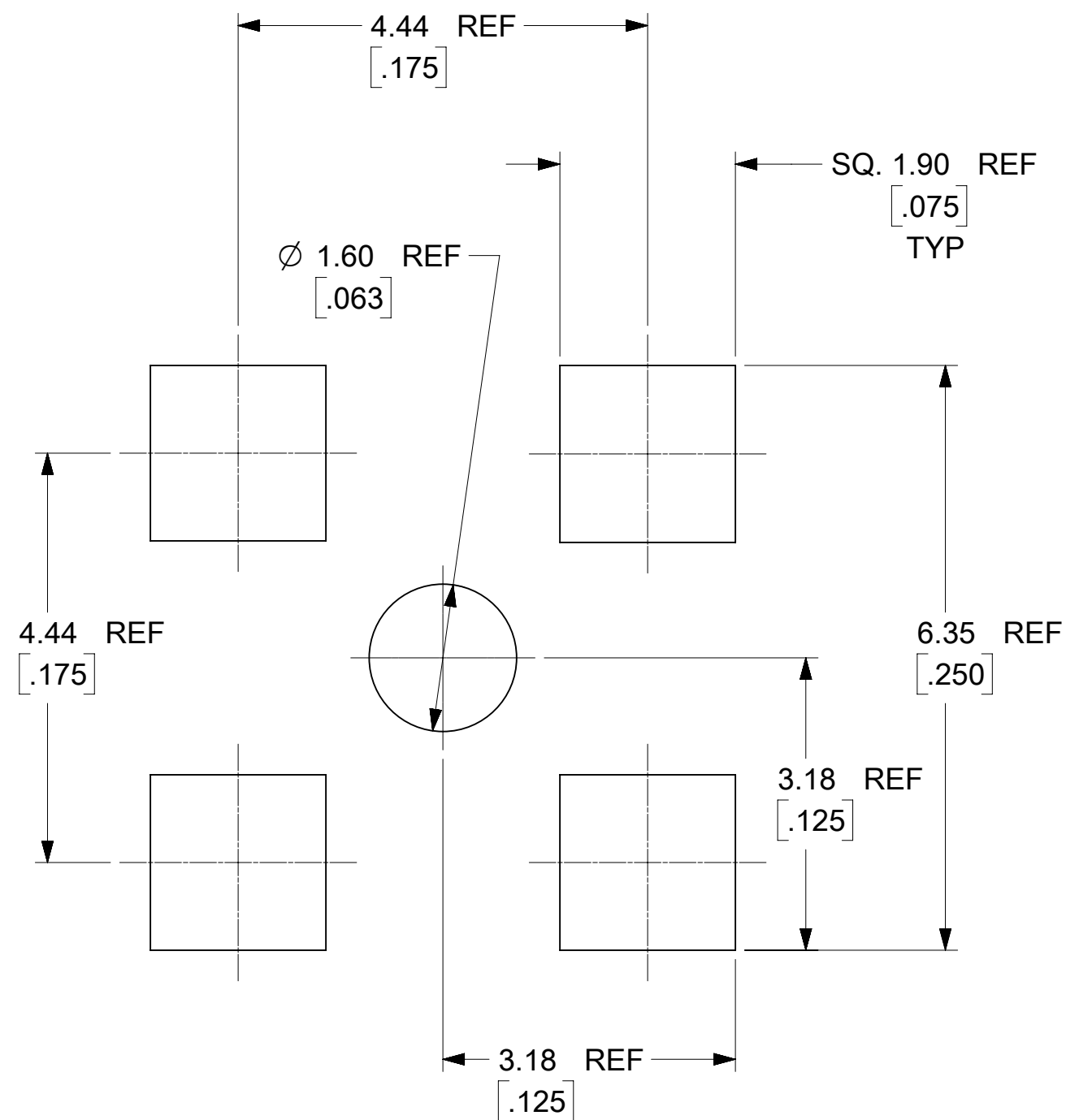
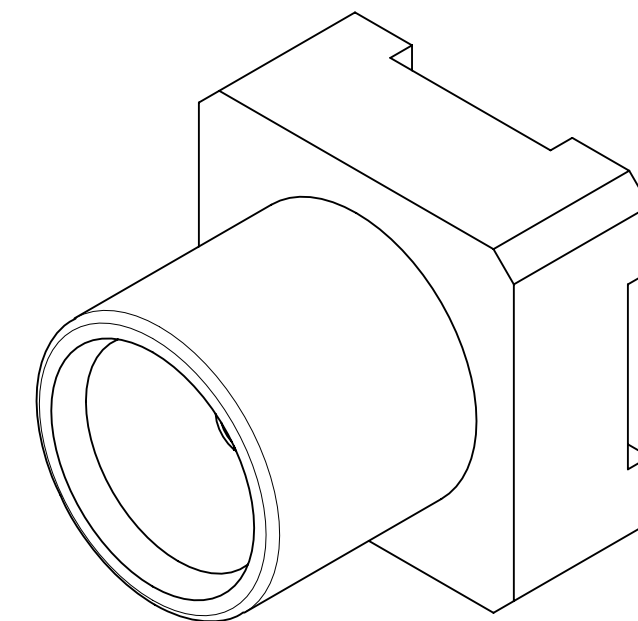


MATERIALS AND FINISHES:

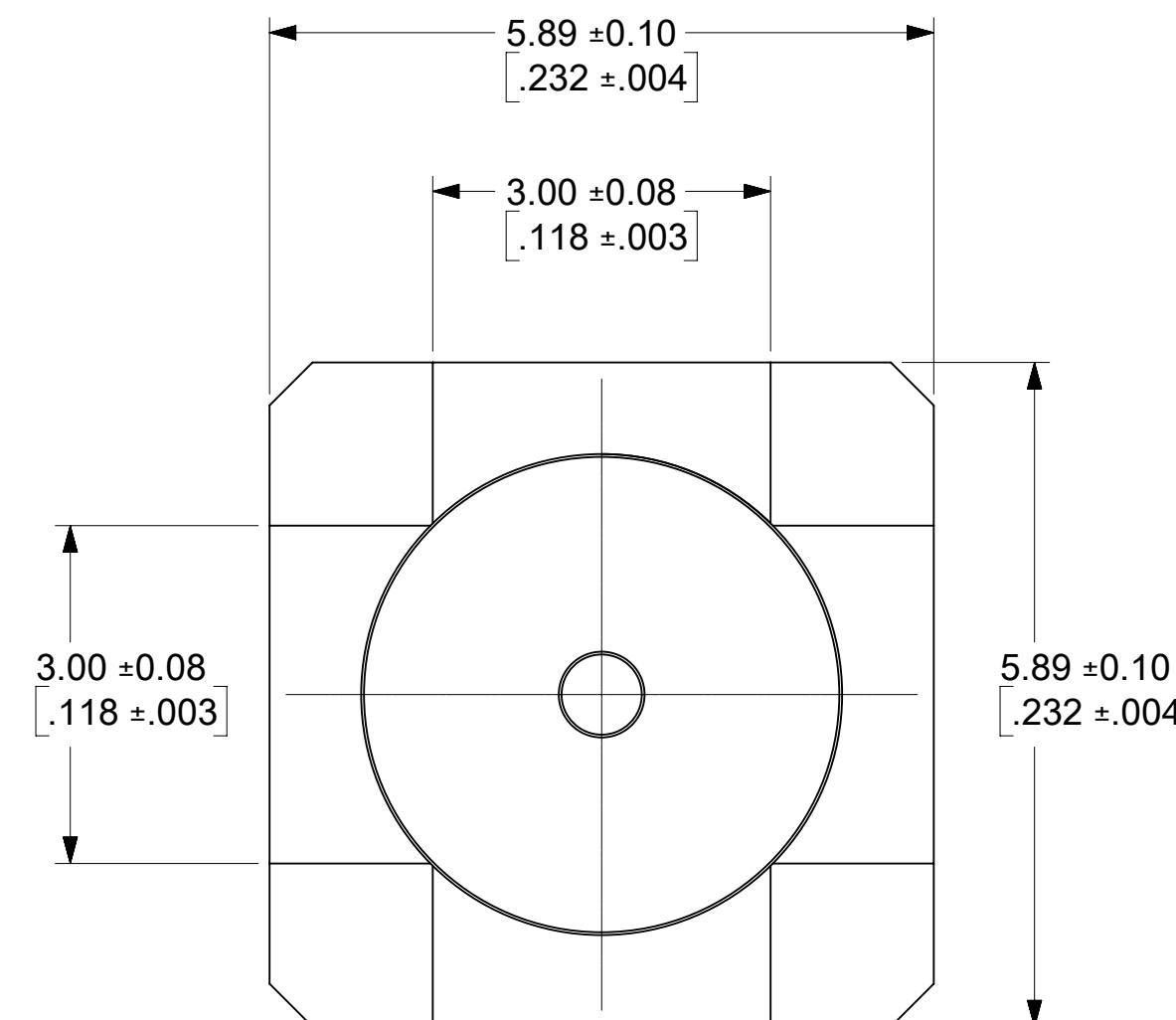
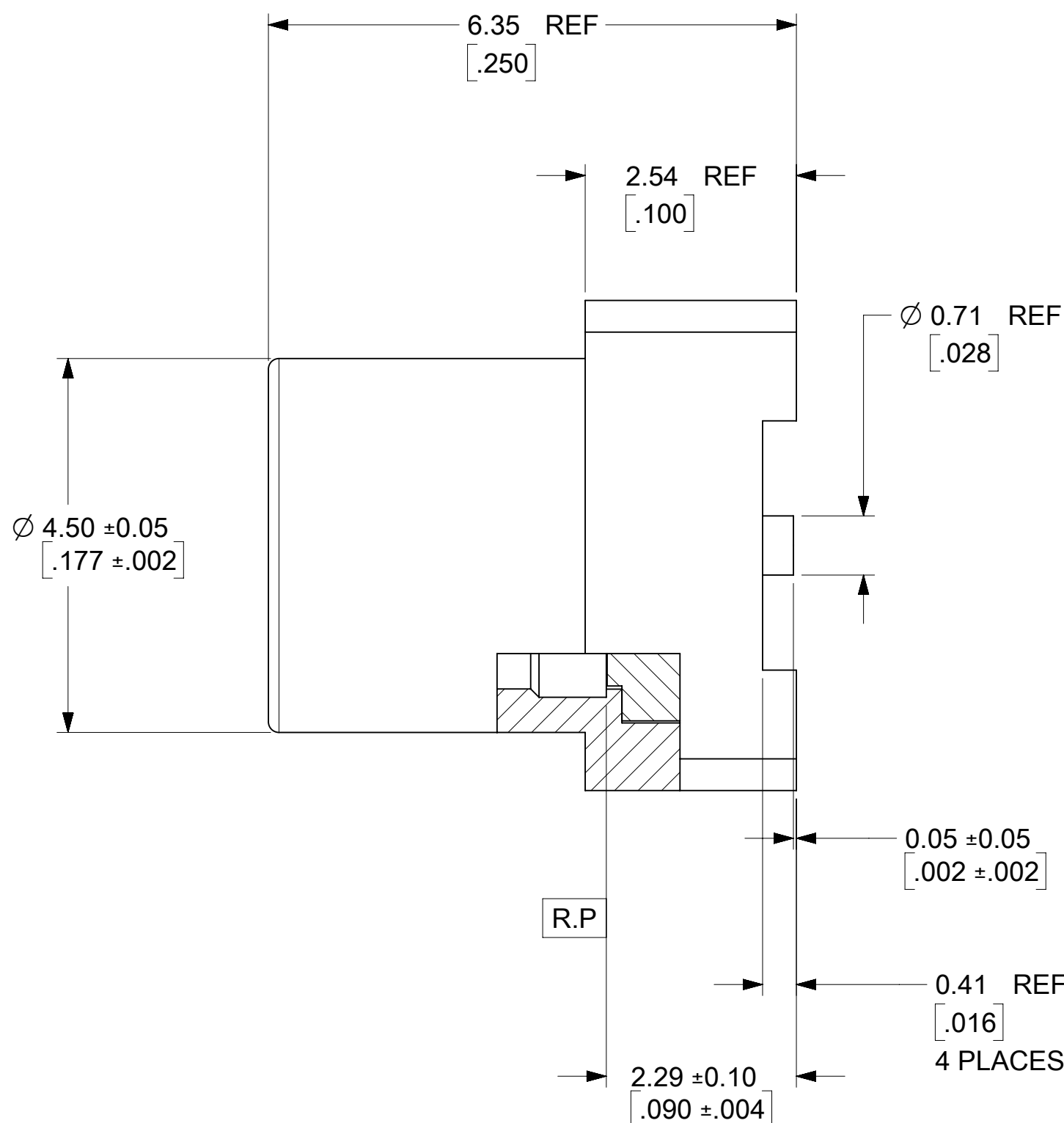
BODY: BRASS
PLATED SEE TABLE

CENTER CONTACT: BERYLLIUM COPPER
PLATED SEE TABLE

INSULATOR: PTFE



RECOMMENDED MOUNTING PATTERN



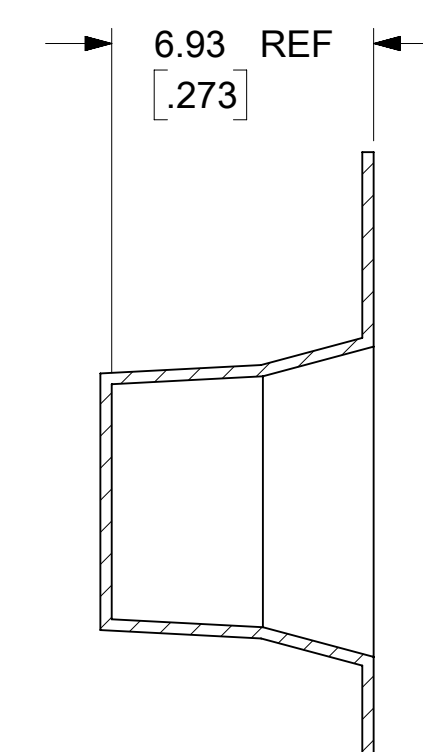
FUNCTIONAL SYMBOLS	THIS DRAWING CONTAINS INFORMATION THAT IS PROPRIETARY TO MOLEX ELECTRONIC TECHNOLOGIES, LLC AND SHOULD NOT BE USED WITHOUT WRITTEN PERMISSION										
	DIMENSION UNITS	SCALE		CURRENT REV DESC:							
$\frac{F}{A} = 0$	MM/INCH	NTS		EWR # 15426-A ADDED -1639 PART NO FOR TRAY PACKING							
$\frac{F}{C} = 0$	GENERAL TOLERANCES (UNLESS SPECIFIED)			EC NO: 720547						MCX JACK,PCB,SMT,75 OHMS MCX-J/PCB, EWR-11739	
$\frac{F}{P} = 0$		MM	INCH	DRWN: JSU18 2022/09/08							
DIVISIONAL SYMBOLS	4 PLACES	±	±	CHK'D: YCHENG 2022/09/13						PRODUCT CUSTOMER DRAWING	
	3 PLACES	±	± 0.005	APPR: YCHENG 2022/09/13							
	2 PLACES	± 0.13	± 0.01	INITIAL REVISION:						DOCUMENT NUMBER SD-73415-163	
	1 PLACE	± 0.25	±	DRWN: TEF 2000/01/05							
	0 PLACES	±	±	APPR: GMH 2000/01/05						DOC TYPE DOC PART REVISION PSD 001 A10	
	ANGULAR TOL	± 2.0 °		THIRD ANGLE PROJECTION		DRAWING	SERIES	MATERIAL NUMBER	CUSTOMER	SHEET NUMBER	
	DRAFT WHERE APPLICABLE MUST REMAIN WITHIN DIMENSIONS					C-SIZE	73415	SEE TABLE		1 OF 8	

73415-1639	SEE TABLE	P/N 73415-1631,TRAY (DU 3200PCS)
73415-1638	SEE TABLE	TAPE AND REEL (SPQ/DU 800PCS) WITH KAPTON TAPE OF 73415-1631
73415-1637	SEE TABLE	TAPE AND REEL (SPQ 800 PCS) WITHOUT KAPTON TAPE OF 73415-1630
73415-1636	SEE TABLE	TAPE AND REEL (SPQ 800 PCS) WITH KAPTON TAPE OF 73415-1630
73415-1635	SEE TABLE	P/N 73415-1631, ONE PIECE PER BAG
73415-1634	SEE TABLE	P/N 73415-1630, ONE PIECE PER BAG
73415-1633	SEE TABLE	TAPE AND REEL (SPQ 800 PCS) WITHOUT KAPTON TAPE OF 73415-1631
73415-1632	SEE TABLE	TAPE AND REEL (SPQ 800 PCS) WITH KAPTON TAPE OF 73415-1631
73415-1631	SEE TABLE	INDIVIDUAL, 100 PCS PER BAG
73415-1630	SEE TABLE	INDIVIDUAL, 100 PCS PER BAG
PART NO.	PLATING	PACKAGING

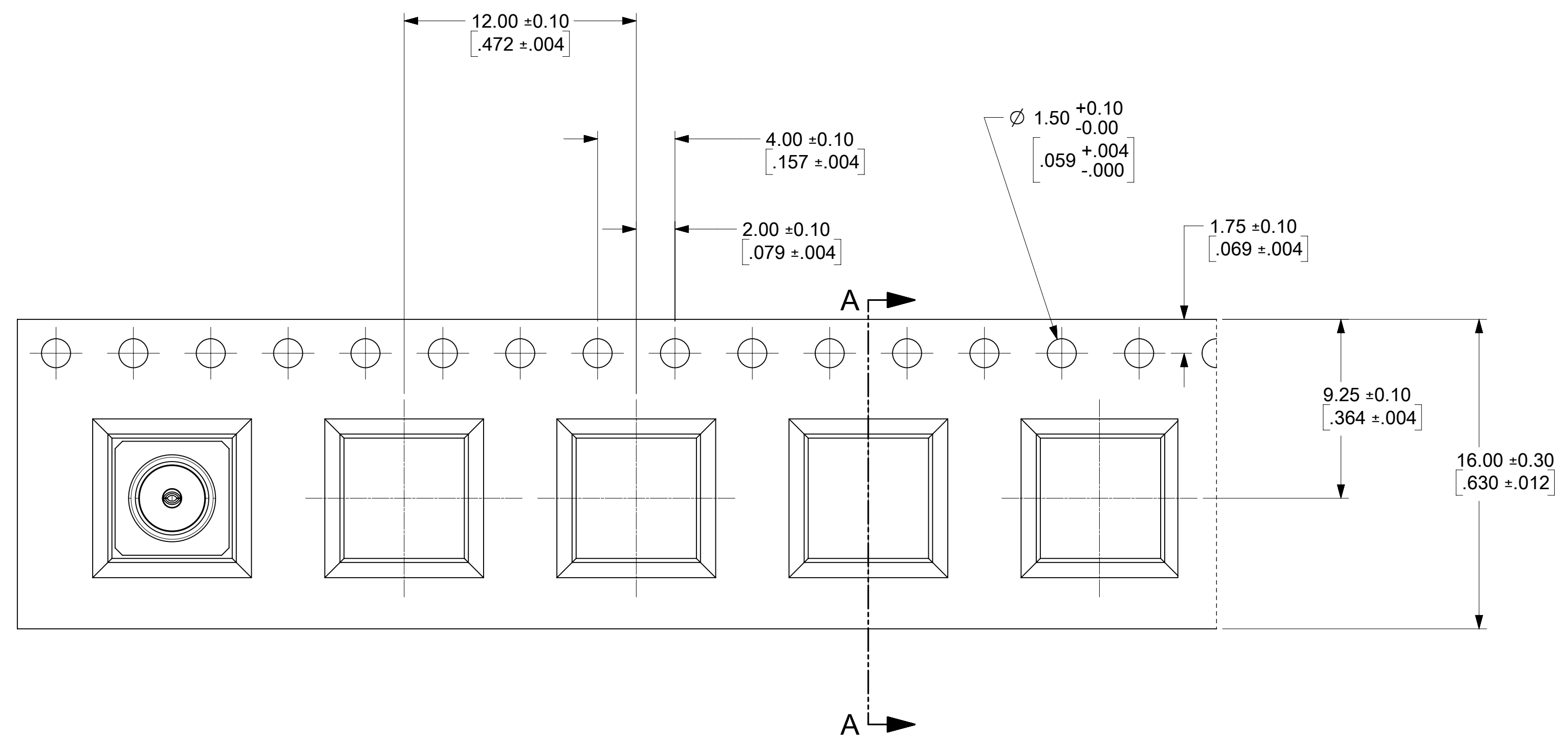
CONTACT	GOLD (10μ-in MIN)	GOLD (30μ-in MIN)
BODY	TRI-M3 (80μ-in MIN)	GOLD (10μ-in MIN)
PART NO.	73415-1630	73415-1631

FUNCTIONAL SYMBOLS FA = 0 FC = 0 FP = 0	THIS DRAWING CONTAINS INFORMATION THAT IS PROPRIETARY TO MOLEX ELECTRONIC TECHNOLOGIES, LLC AND SHOULD NOT BE USED WITHOUT WRITTEN PERMISSION		CURRENT REV DESC:		molex
	DIMENSION UNITS MM/INCH	SCALE NTS	EWR # 15426-A ADDED -1639 PART NO FOR TRAY PACKING		
DIVISIONAL SYMBOLS	GENERAL TOLERANCES (UNLESS SPECIFIED)		EC NO: 720547		MCX JACK,PCB,SMT,75 OHMS MCX-J/PCB, EWR-11739
	4 PLACES	±	±	DRWN: JSU18 2022/09/08	
	3 PLACES	±	± 0.005	CHK'D: YCHENG 2022/09/13	PRODUCT CUSTOMER DRAWING
	2 PLACES	± 0.13	± 0.01	APPR: YCHENG 2022/09/13	
	1 PLACE	± 0.25	±	INITIAL REVISION:	DOCUMENT NUMBER SD-73415-163
	0 PLACES	±	±	DRWN: DRWN BY XXXX/XX/XX	
	ANGULAR TOL	± 2.0 °		APPR: APPR BY XXXX/XX/XX	DOC TYPE PSD
	DRAFT WHERE APPLICABLE MUST REMAIN WITHIN DIMENSIONS			THIRD ANGLE PROJECTION	DOC PART 001
				DRAWING C-SIZE	REVISION A10
				SERIES 73415	SHEET NUMBER 2 OF 8

DOCUMENT STATUS	P1	RELEASE DATE	2022/09/13 10:28:02
-----------------	----	--------------	---------------------

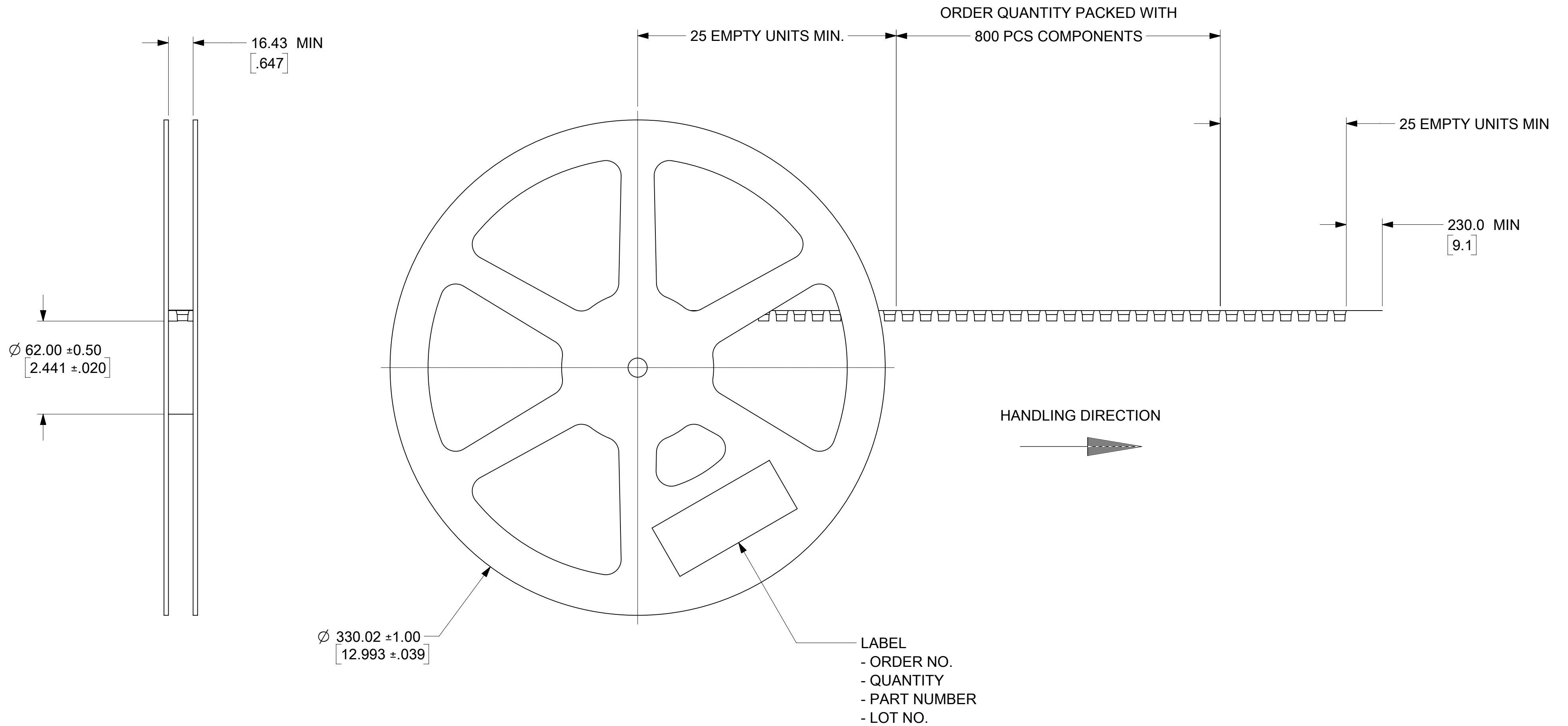


SECTION A-A



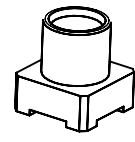
FUNCTIONAL SYMBOLS										THIS DRAWING CONTAINS INFORMATION THAT IS PROPRIETARY TO MOLEX ELECTRONIC TECHNOLOGIES, LLC AND SHOULD NOT BE USED WITHOUT WRITTEN PERMISSION									
DIMENSION UNITS					SCALE					CURRENT REV DESC:									
MM/INCH					NTS					EWR # 15426-A ADDED -1639 PART NO FOR TRAY PACKING									
GENERAL TOLERANCES (UNLESS SPECIFIED)										EC NO: 720547									
4 PLACES ±					MM					DRWN: JSU18					2022/09/08				
3 PLACES ±					± 0.005					CHK'D: YCHENG					2022/09/13				
2 PLACES ±					0.13 ± 0.01					APPR: YCHENG					2022/09/13				
1 PLACE ±					0.25 ±					INITIAL REVISION:					DOCUMENT NUMBER				
0 PLACES ±										DRWN: DRWN BY					SD-73415-163				
ANGULAR TOL ± 2.0 °										APPR: APPR BY					PSD 001 A10				
DRAFT WHERE APPLICABLE MUST REMAIN WITHIN DIMENSIONS					THIRD ANGLE PROJECTION					DRAWING					SHEET NUMBER				
										C-SIZE					3 OF 8				
										SERIES					MATERIAL NUMBER				
										73415					CUSTOMER				

PART NO. 73415-1636
 13" REEL SIZE FOR 800 PIECES

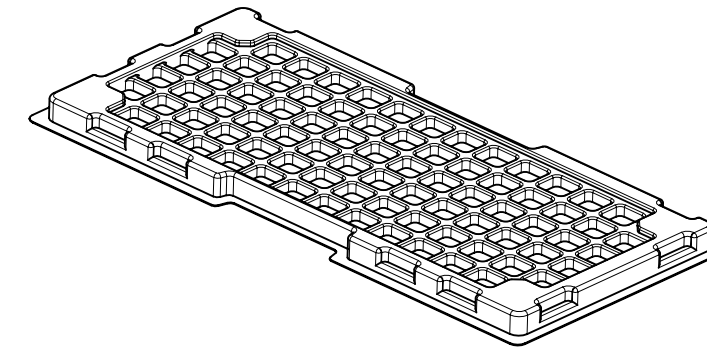


FUNCTIONAL SYMBOLS										THIS DRAWING CONTAINS INFORMATION THAT IS PROPRIETARY TO MOLEX ELECTRONIC TECHNOLOGIES, LLC AND SHOULD NOT BE USED WITHOUT WRITTEN PERMISSION									
DIMENSION UNITS					SCALE					CURRENT REV DESC:					 MCX JACK,PCB,SMT,75 OHMS MCX-J/PCB, EWR-11739 PRODUCT CUSTOMER DRAWING				
MM/INCH					NTS					EWR # 15426-A ADDED -1639 PART NO FOR TRAY PACKING									
GENERAL TOLERANCES (UNLESS SPECIFIED)										EC NO: 720547									
4 PLACES ±					±					DRWN: JSU18 2022/09/08									
3 PLACES ±					± 0.005					CHK'D: YCHENG 2022/09/13									
2 PLACES ±					± 0.13 ± 0.01					APPR: YCHENG 2022/09/13									
1 PLACE ±					± 0.25 ±					INITIAL REVISION:									
0 PLACES ±					±					DRWN: DRWN BY XXXX/XX/XX					DOCUMENT NUMBER				
ANGULAR TOL ± 2.0 °					THIRD ANGLE PROJECTION					APPR: APPR BY XXXX/XX/XX					SD-73415-163 PSD 001 A10				
DRAFT WHERE APPLICABLE MUST REMAIN WITHIN DIMENSIONS					DRAWING					SERIES					MATERIAL NUMBER				
					C-SIZE					73415					CUSTOMER				
															SHEET NUMBER				
															4 OF 8				

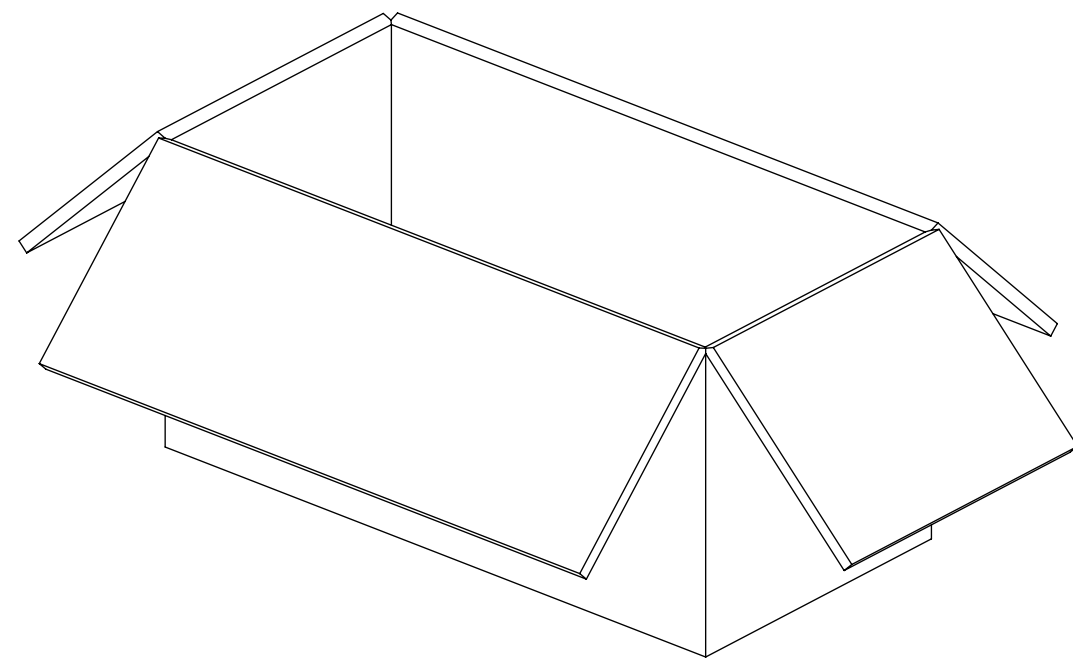
DOCUMENT STATUS	P1	RELEASE DATE	2022/09/13	10:28:02
-----------------	----	--------------	------------	----------



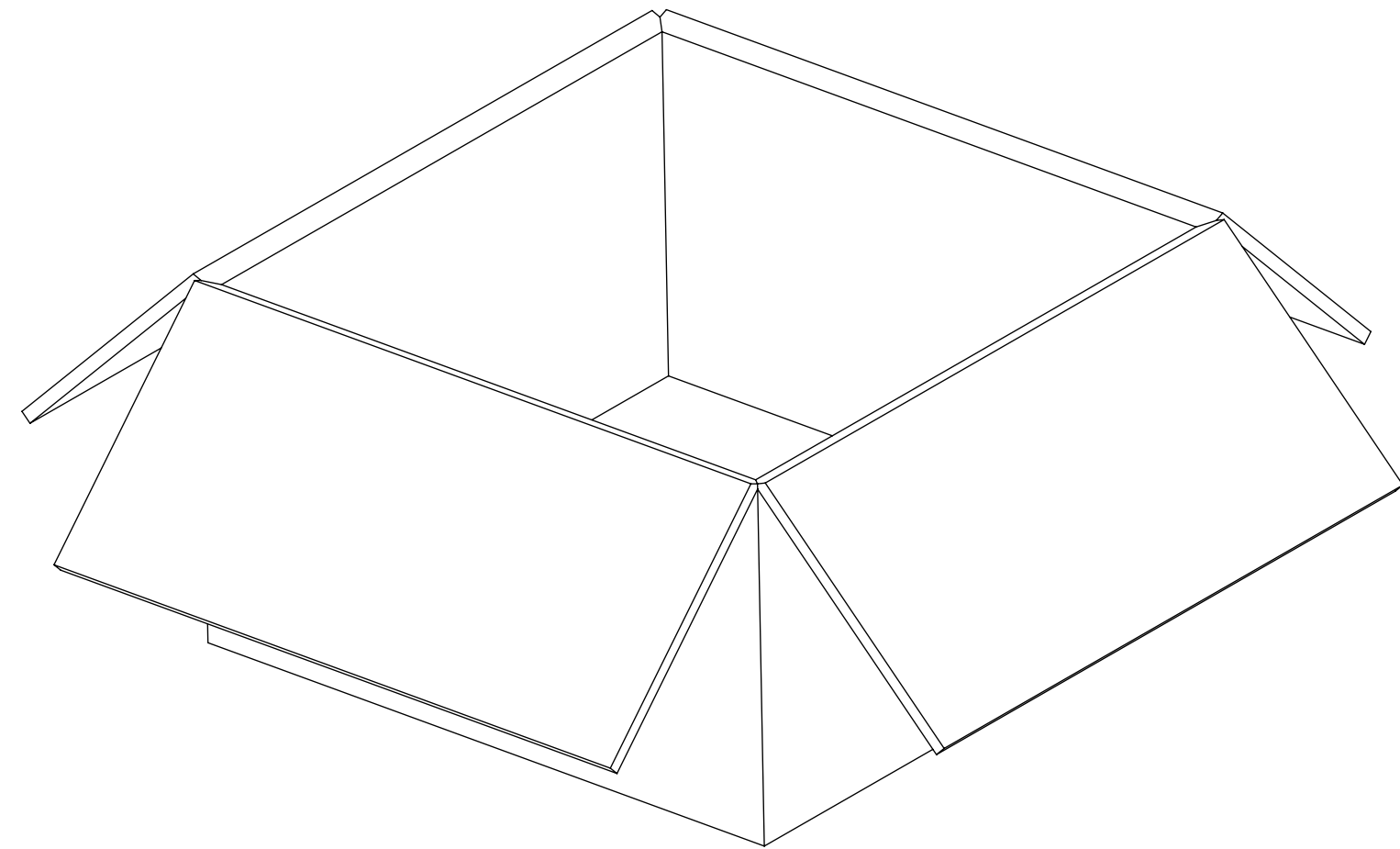
PART NO : 73415-1639



80 SET PER TRAY
P/N: 89707-0190



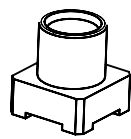
1600 SET PER INNER CARTON BOX
P/N: 96707-0001
L371mm X W184mm X D192mm



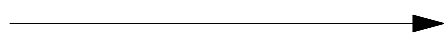
3200 SET PER OUTER CARTON BOX
P/N: 96708-0005
L394mm X W391mm X D212mm

FUNCTIONAL SYMBOLS	THIS DRAWING CONTAINS INFORMATION THAT IS PROPRIETARY TO MOLEX ELECTRONIC TECHNOLOGIES, LLC AND SHOULD NOT BE USED WITHOUT WRITTEN PERMISSION										
	DIMENSION UNITS		SCALE		CURRENT REV DESC:						
$\frac{F}{A} = 0$	MM/INCH	NTS		EWR # 15426-A ADDED -1639 PART NO FOR TRAY PACKING							
$\frac{F}{C} = 0$	GENERAL TOLERANCES (UNLESS SPECIFIED)			EC NO: 720547						MCX JACK,PCB,SMT,75 OHMS MCX-J/PCB, EWR-11739	
$\frac{F}{P} = 0$		MM	INCH	DRWN: JSU18 2022/09/08							
DIVISIONAL SYMBOLS	4 PLACES	±	±	CHK'D: YCHENG 2022/09/13						PRODUCT CUSTOMER DRAWING	
	3 PLACES	±	± 0.005	APPR: YCHENG 2022/09/13							
	2 PLACES	± 0.13	± 0.01	INITIAL REVISION:						DOCUMENT NUMBER SD-73415-163	
	1 PLACE	± 0.25	±	DRWN: DRAWN BY 0099/99/99							
0 PLACES	±	±	APPR: APPR BY 0099/99/99						MATERIAL NUMBER CUSTOMER SHEET NUMBER 5 OF 8		
ANGULAR TOL ± 2.0 °			THIRD ANGLE PROJECTION		DRAWING SERIES		C-SIZE 73415				
DRAFT WHERE APPLICABLE MUST REMAIN WITHIN DIMENSIONS					C-SIZE 73415						

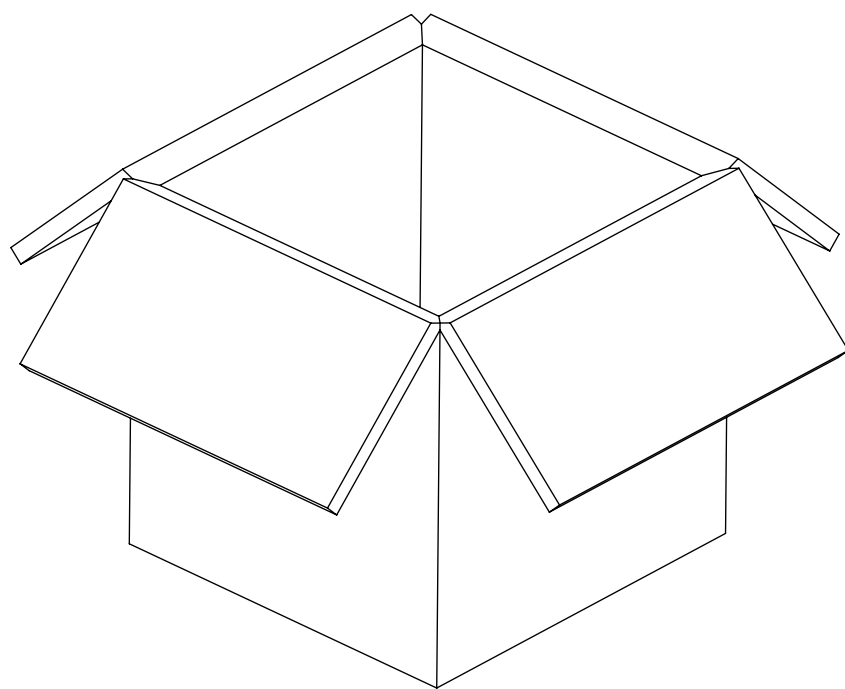
DOCUMENT STATUS	P1	RELEASE DATE	2022/09/13	10:28:02
-----------------	----	--------------	------------	----------



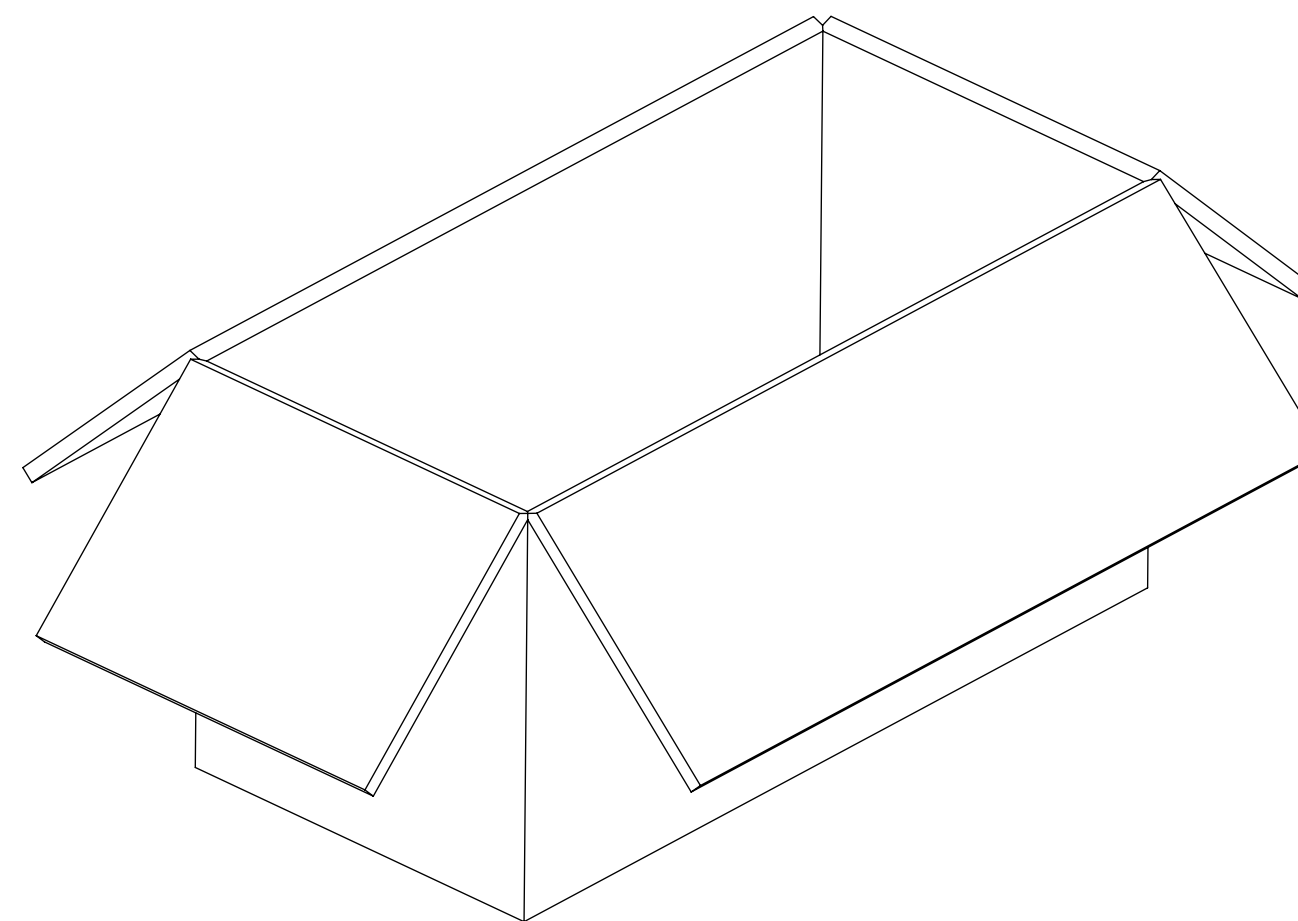
PART NO : 73415-1630
PART NO : 73415-1631



100 SETS PER POLY BAG
P/N: 89707-0001

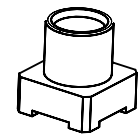


2000 SETS PER INNER
CARTON BOX
P/N: 96707-0005
DIMENSION: 176X173X176MM

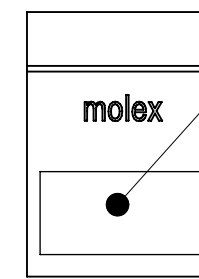
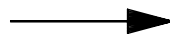


4000 SETS PER OUTER
CARTON BOX
P/N: 96707-0002
DIMENSION: 564X176X176MM

FUNCTIONAL SYMBOLS	THIS DRAWING CONTAINS INFORMATION THAT IS PROPRIETARY TO MOLEX ELECTRONIC TECHNOLOGIES, LLC AND SHOULD NOT BE USED WITHOUT WRITTEN PERMISSION									
	DIMENSION UNITS		SCALE		CURRENT REV DESC:			molex		
$\frac{F}{A} = 0$	MM/INCH	NTS		EC NO: 720547 DRWN: JSU18 2022/09/08 CHK'D: YCHENG 2022/09/13 APPR: YCHENG 2022/09/13						
$\frac{F}{C} = 0$	GENERAL TOLERANCES (UNLESS SPECIFIED)						INITIAL REVISION: DRWN: DRAWN BY 0099/99/99 APPR: APPR BY 0099/99/99			
$\frac{F}{P} = 0$		MM	INCH	DOCUMENT NUMBER: SD-73415-163 DOC TYPE: PSD DOC PART: 001 REVISION: A10						
DIVISIONAL SYMBOLS	4 PLACES	±	±				MATERIAL NUMBER: CUSTOMER: SHEET NUMBER: 6 OF 8			
	3 PLACES	±	± 0.005							
	2 PLACES	± 0.13	± 0.01							
	1 PLACE	± 0.25	±							
	0 PLACES	±	±							
	ANGULAR TOL	± 2.0 °								
	DRAFT WHERE APPLICABLE MUST REMAIN WITHIN DIMENSIONS		THIRD ANGLE PROJECTION		DRAWING: C-SIZE	SERIES: 73415				

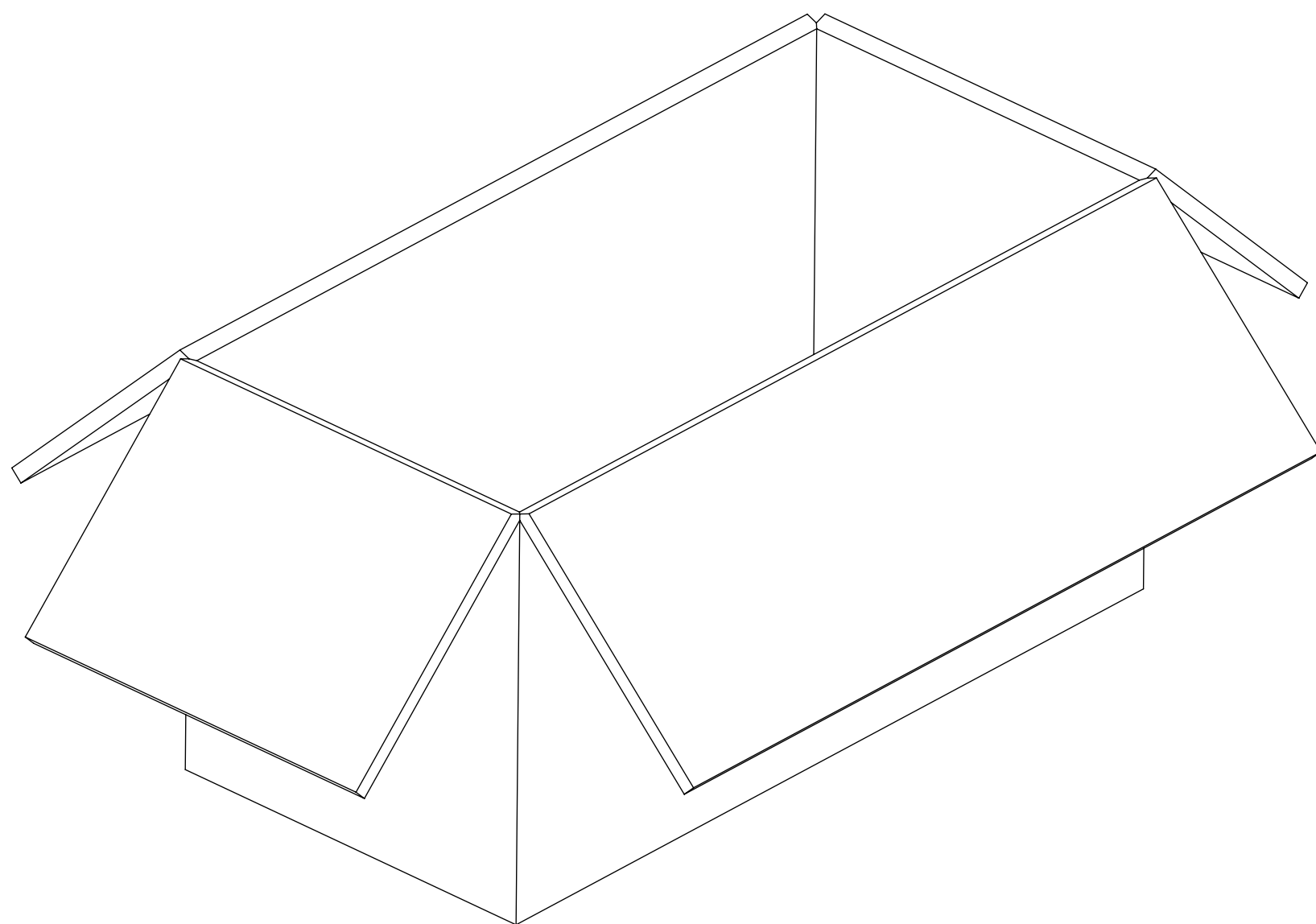


PART NO : 73415-1634

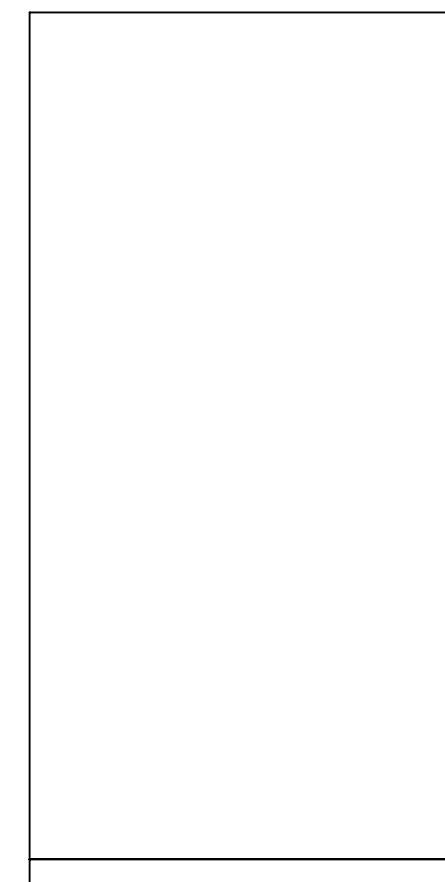
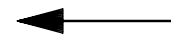


LABEL WITH EACH BAG
 PART NUMBER
 ORDER NUMBER
 MOLEX
 DATE: YYWW

ONE SET PER ZIPPER BAG
 P/N: 89707-0317



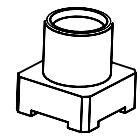
500 SETS PER CARTON BOX
 P/N: 96707-0002
 DIMENSION: 564X176X176MM



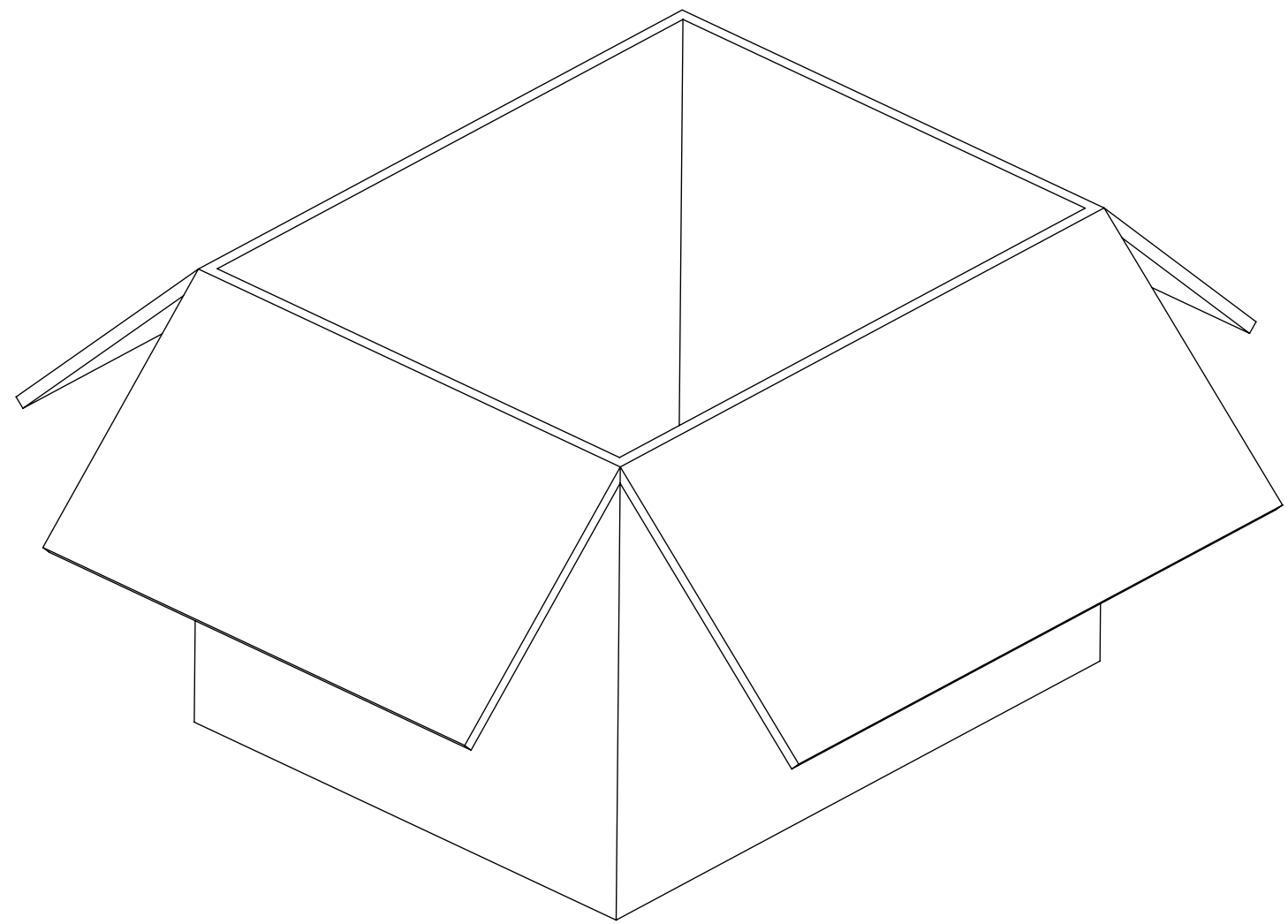
50 SETS PER BAG
 P/N: 89707-0174

FUNCTIONAL SYMBOLS	THIS DRAWING CONTAINS INFORMATION THAT IS PROPRIETARY TO MOLEX ELECTRONIC TECHNOLOGIES, LLC AND SHOULD NOT BE USED WITHOUT WRITTEN PERMISSION													
	DIMENSION UNITS		SCALE		CURRENT REV DESC:						molex			
$\frac{F}{A} = 0$	MM/INCH	NTS		EWR # 15426-A ADDED -1639 PART NO FOR TRAY PACKING										
$\frac{F}{C} = 0$	GENERAL TOLERANCES (UNLESS SPECIFIED)			EC NO: 720547						MCX JACK,PCB,SMT,75 OHMS MCX-J/PCB, EWR-11739				
$\frac{F}{P} = 0$			MM	INCH	DRWN: JSU18 2022/09/08									
DIVISIONAL SYMBOLS	4 PLACES		±	±	CHK'D: YCHENG 2022/09/13						PRODUCT CUSTOMER DRAWING			
	3 PLACES		±	± 0.005	APPR: YCHENG 2022/09/13									
	2 PLACES		± 0.13	± 0.01	INITIAL REVISION:									
	1 PLACE		± 0.25	±	DRWN: DRAWN BY 0099/99/99									
0 PLACES		±	±	APPR: APPR BY 0099/99/99						DOCUMENT NUMBER		DOC TYPE	DOC PART	REVISION
ANGULAR TOL		± 2.0 °	THIRD ANGLE PROJECTION						SD-73415-163		PSD	001	A10	
DRAFT WHERE APPLICABLE MUST REMAIN WITHIN DIMENSIONS				DRAWING		SERIES		MATERIAL NUMBER		CUSTOMER		SHEET NUMBER		
				C-SIZE		73415						7 OF 8		

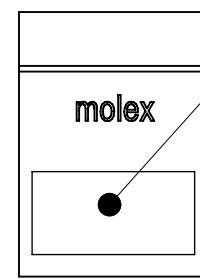
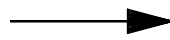
DOCUMENT STATUS	P1	RELEASE DATE	2022/09/13	10:28:02
-----------------	----	--------------	------------	----------



PART NO : 73415-1635



500 SETS PER CARTON BOX
P/N: 89499-9027
DIMENSION: 267X215X260MM

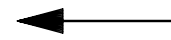


LABEL WITH EACH BAG
PART NUMBER
ORDER NUMBER
MOLEX
DATE: YYWW

ONE SET PER ZIPPER BAG
P/N: 89707-0317



50 SETS PER BAG
P/N: 89707-0174



FUNCTIONAL SYMBOLS	THIS DRAWING CONTAINS INFORMATION THAT IS PROPRIETARY TO MOLEX ELECTRONIC TECHNOLOGIES, LLC AND SHOULD NOT BE USED WITHOUT WRITTEN PERMISSION													
	DIMENSION UNITS		SCALE		CURRENT REV DESC:						molex			
$\frac{F}{A} = 0$	MM/INCH	NTS		EWR # 15426-A ADDED -1639 PART NO FOR TRAY PACKING										
$\frac{F}{C} = 0$	GENERAL TOLERANCES (UNLESS SPECIFIED)				EC NO: 720547						MCX JACK,PCB,SMT,75 OHMS MCX-J/PCB, EWR-11739			
$\frac{F}{P} = 0$			MM	INCH	DRWN: JSU18 2022/09/08									
DIVISIONAL SYMBOLS	4 PLACES		±	±	CHK'D: YCHENG 2022/09/13						PRODUCT CUSTOMER DRAWING			
	3 PLACES		±	± 0.005	APPR: YCHENG 2022/09/13									
	2 PLACES		± 0.13	± 0.01	INITIAL REVISION:									
	1 PLACE		± 0.25	±	DRWN: DRAWN BY 0099/99/99									
0 PLACES		±	±	APPR: APPR BY 0099/99/99						DOCUMENT NUMBER		DOC TYPE	DOC PART	REVISION
ANGULAR TOL		± 2.0 °	THIRD ANGLE PROJECTION						SD-73415-163		PSD	001	A10	
DRAFT WHERE APPLICABLE MUST REMAIN WITHIN DIMENSIONS				DRAWING		SERIES		MATERIAL NUMBER		CUSTOMER		SHEET NUMBER		
				C-SIZE		73415						8 OF 8		

DOCUMENT STATUS	P1	RELEASE DATE	2022/09/13	10:28:02
-----------------	----	--------------	------------	----------