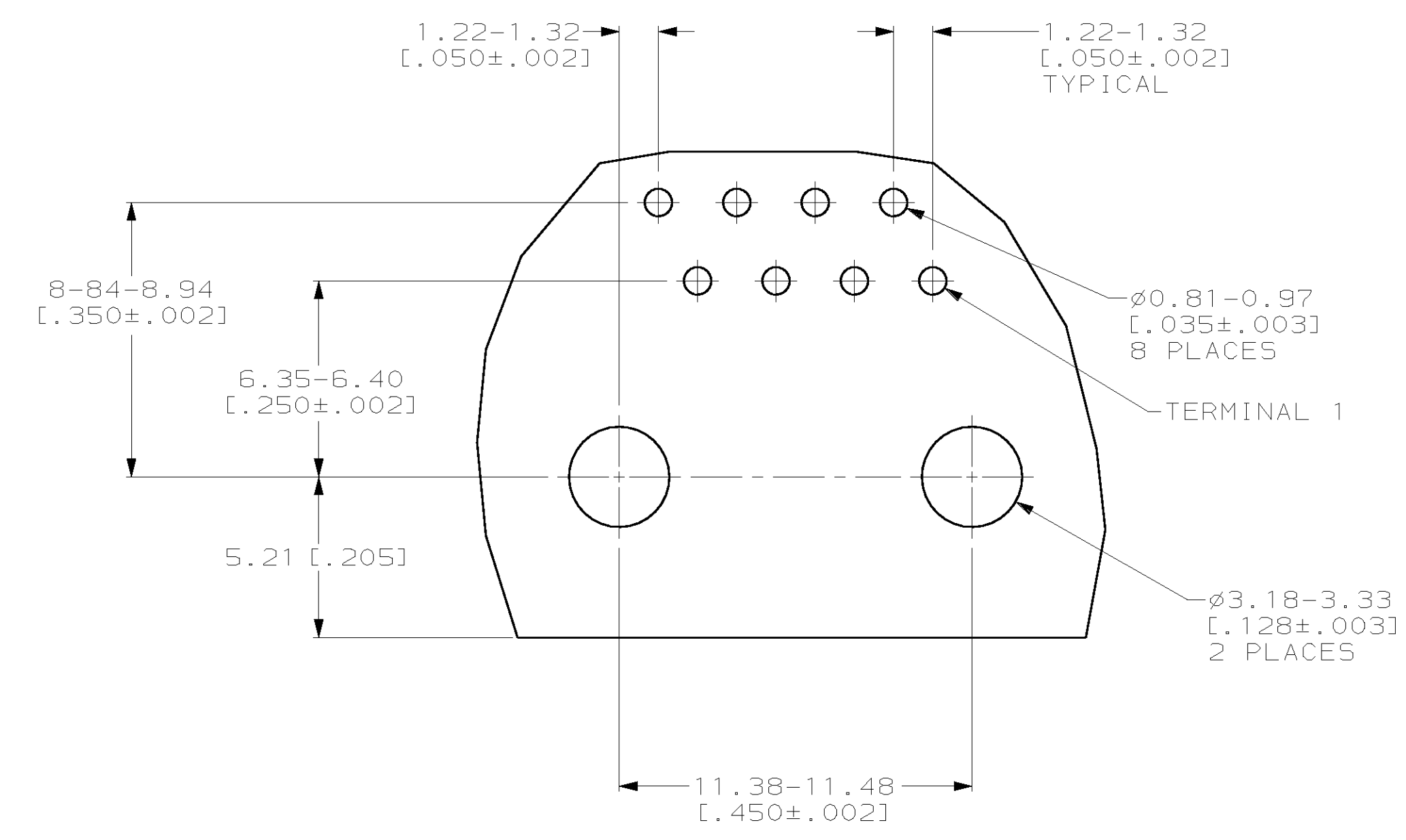
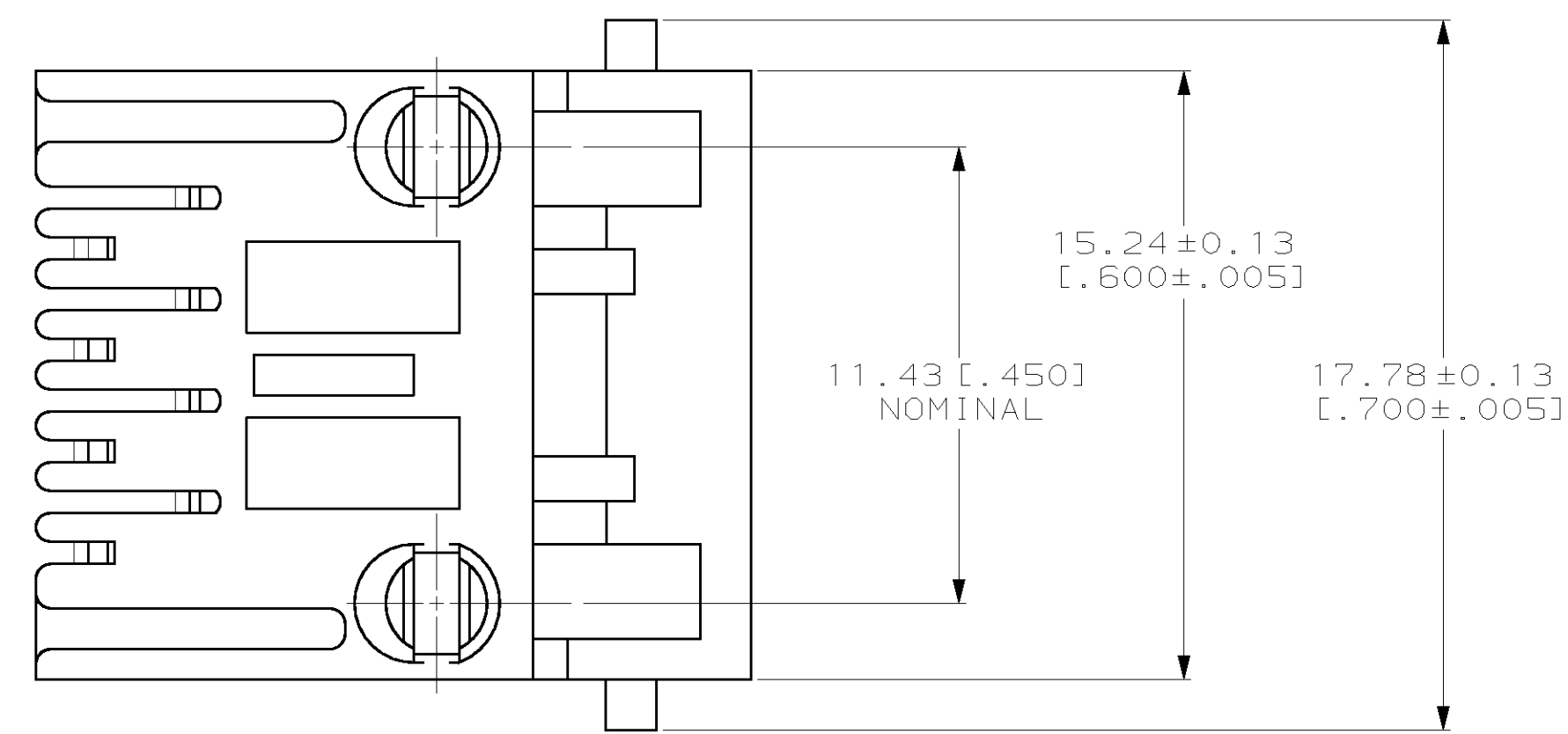
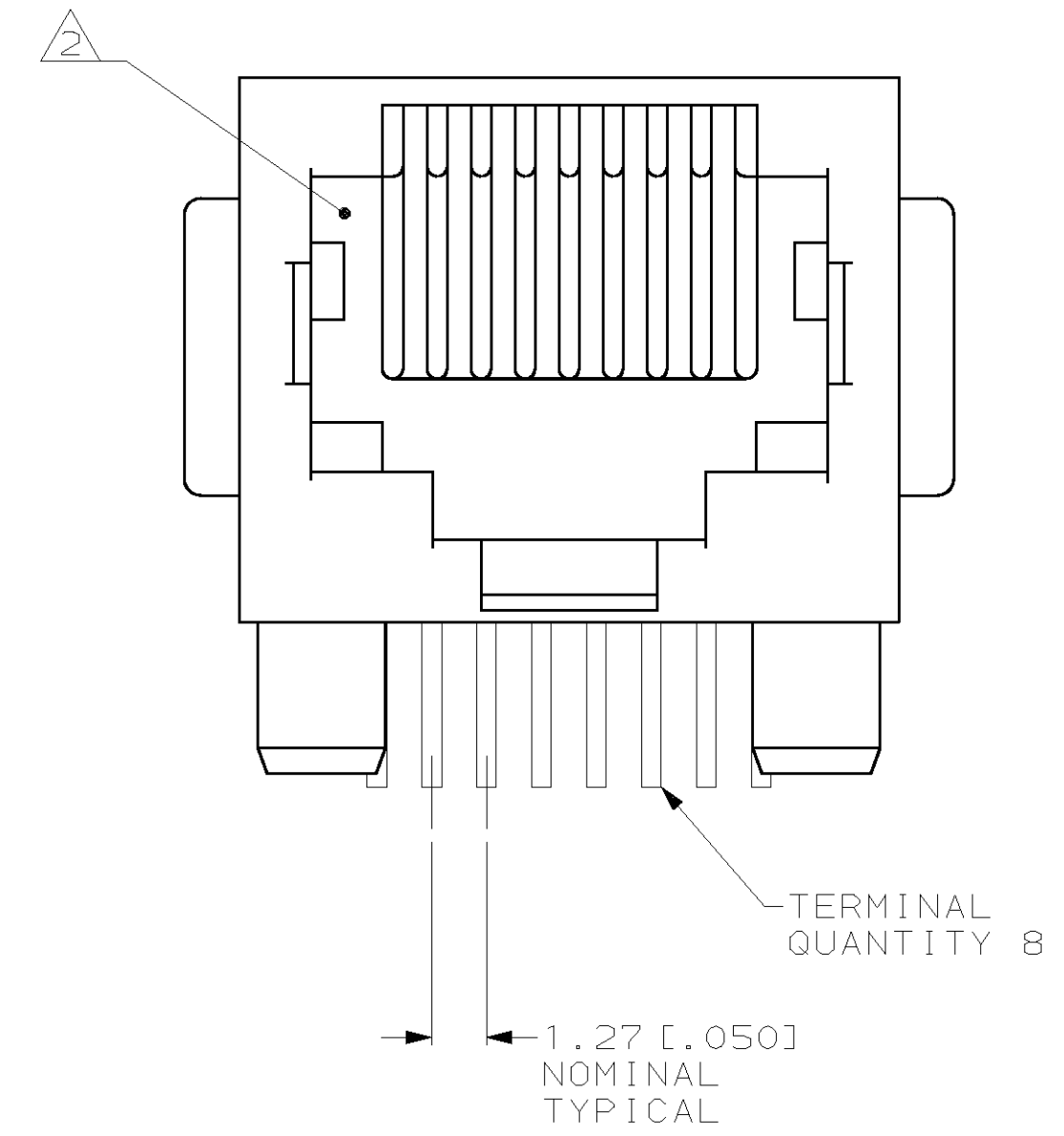
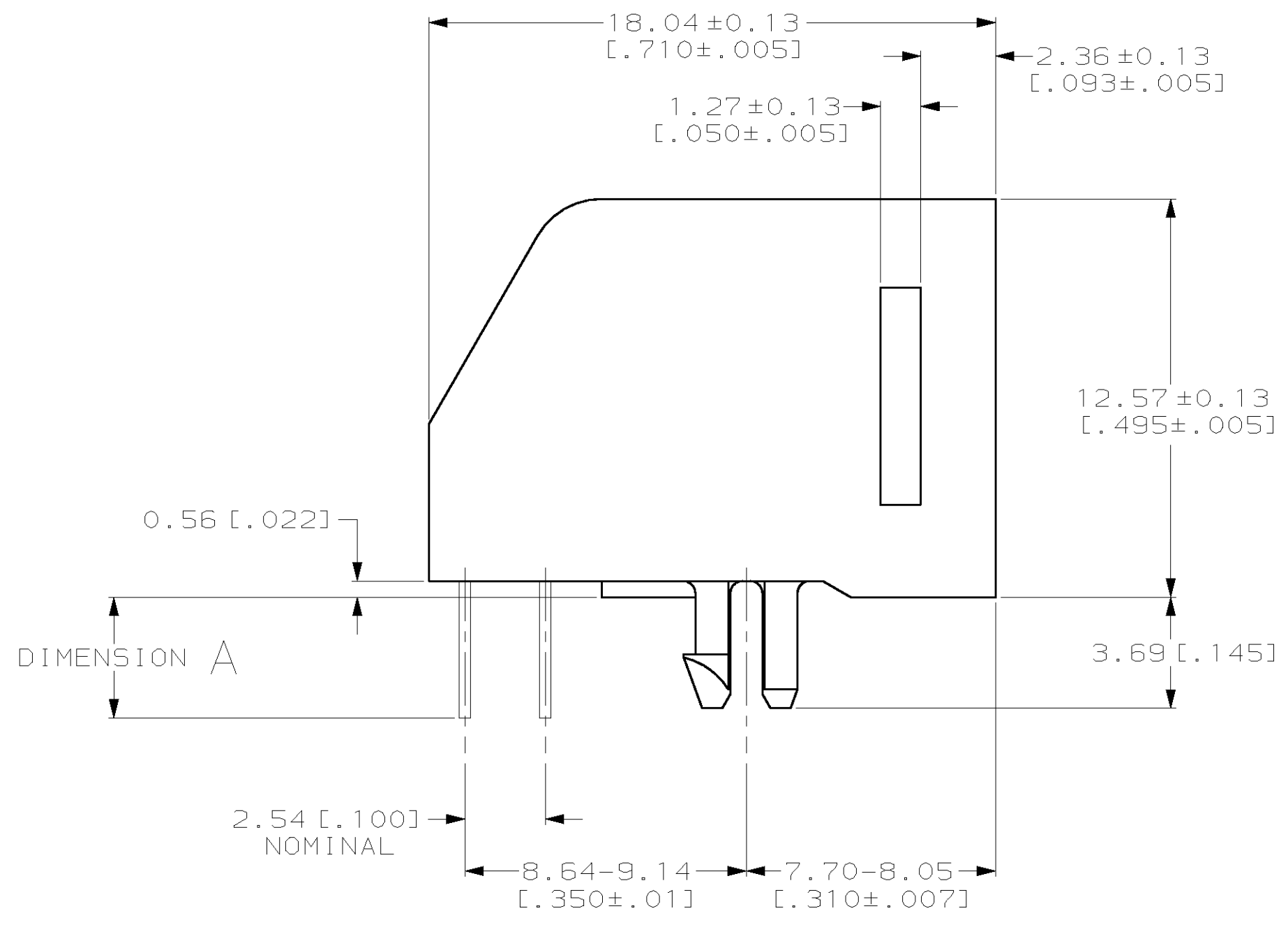


LOC		DIST		REVISIONS			
AA	22	TR	LYR	DESCRIPTION	DATE	DWN	APVD
		J		REVISED PER EC 0511-0104-02	30JUL02	DD	BK



- ⚠ DIMENSIONS ARE MAXIMUM UNLESS OTHERWISE SPECIFIED.
- ⚠ CAVITY CONFORMS TO FCC RULES AND REGULATIONS PART 68, SUBPART F.
- ⚠ MATERIAL: HOUSING - PBT POLYESTER, BLACK. TERMINAL - PHOSPHOR BRONZE PLATED WITH 1.27µm [0.000050] MINIMUM THICK HARD GOLD IN LOCALIZED GOLD PLATE AREA AND 3.81µm [0.000150] MINIMUM THICK TIN-LEAD IN SOLDER AREA OVER 1.27µm [0.000050] MINIMUM THICK NICKEL UNDERPLATE.
- ⚠ BULK PACKAGED IN A TRAY.

SUPERSEDED BY 555162-1	⚠	2.54-3.05 [0.11 ± 0.01]	555162-4
	⚠	3.30-4.32 [0.15 ± 0.02]	555162-1
PACKAGED		DIMENSION A	PART NUMBER

SUGGESTED PRINTED CIRCUIT BOARD
 MOUNTING HOLE LAYOUT
 (LAYOUT SHOWN FROM CIRCUIT SIDE OF BOARD)

THIS DRAWING IS A CONTROLLED DOCUMENT.		DWN T. SPRINKLE 16MAY94	TYCO Electronics Harrisburg, PA 17105-3608
DIMENSIONS mm [INCHES]		CHK C. WHITT 23MAY94	AMP
TOLERANCES UNLESS OTHERWISE SPECIFIED:		APVD J. TONEY	NAME MODULAR JACK ASSEMBLY, 8 POSITION, LOW PROFILE, RIGHT ANGLE, WITH PANEL STOPS
0 PLC ±	1 PLC ±	PRODUCT SPEC 108-1163	SIZE A1
2 PLC ±	3 PLC ±	APPLICATION SPEC 114-2048	CAGE CODE 555162
4 PLC ±	ANGLES ±	FINISH	RESTRICTED TO CUSTOMER DRAWING
MATERIAL		WEIGHT	SCALE 6:1
			SHEET 1 OF 1
			REV J