

CX84100-41/-23 SCXV.22bis Modem

V.22bis Modem with CX20493 SmartDAA® Line Side Device

Data Sheet

Revision Record

Revision	Date	Comments
D	1/17/2012	Rev. D release.
C	3/3/2004	Rev. C release.
B	12/9/2003	Rev. B release.
A	12/3/2003	Initial release.

© 2003, 2004, 2012, Conexant Systems, Inc.
All Rights Reserved.

Information in this document is provided in connection with Conexant Systems, Inc. ("Conexant") products. These materials are provided by Conexant as a service to its customers and may be used for informational purposes only. Conexant assumes no responsibility for errors or omissions in these materials. Conexant may make changes to specifications and product descriptions at any time, without notice. Conexant makes no commitment to update the information and shall have no responsibility whatsoever for conflicts or incompatibilities arising from future changes to its specifications and product descriptions.

No license, express or implied, by estoppel or otherwise, to any intellectual property rights is granted by this document. Except as provided in Conexant's Terms and Conditions of Sale for such products, Conexant assumes no liability whatsoever.

THESE MATERIALS ARE PROVIDED "AS IS" WITHOUT WARRANTY OF ANY KIND, EITHER EXPRESS OR IMPLIED, RELATING TO SALE AND/OR USE OF CONEXANT PRODUCTS INCLUDING LIABILITY OR WARRANTIES RELATING TO FITNESS FOR A PARTICULAR PURPOSE, CONSEQUENTIAL OR INCIDENTAL DAMAGES, MERCHANTABILITY, OR INFRINGEMENT OF ANY PATENT, COPYRIGHT OR OTHER INTELLECTUAL PROPERTY RIGHT. CONEXANT FURTHER DOES NOT WARRANT THE ACCURACY OR COMPLETENESS OF THE INFORMATION, TEXT, GRAPHICS OR OTHER ITEMS CONTAINED WITHIN THESE MATERIALS. CONEXANT SHALL NOT BE LIABLE FOR ANY SPECIAL, INDIRECT, INCIDENTAL, OR CONSEQUENTIAL DAMAGES, INCLUDING WITHOUT LIMITATION, LOST REVENUES OR LOST PROFITS, WHICH MAY RESULT FROM THE USE OF THESE MATERIALS.

Conexant products are not intended for use in medical, lifesaving or life sustaining applications. Conexant customers using or selling Conexant products for use in such applications do so at their own risk and agree to fully indemnify Conexant for any damages resulting from such improper use or sale.

The following are trademarks of Conexant Systems, Inc.: Conexant® and the Conexant C symbol, and SmartDAA®. Product names or services listed in this publication are for identification purposes only, and may be trademarks of third parties. Third-party brands and names are the property of their respective owners.

For additional disclaimer information, please consult Conexant's Legal Information posted at www.conexant.com, which is incorporated by reference.

Reader Response: Conexant strives to produce quality documentation and welcomes your feedback. Please send comments and suggestions to tech.pubs@conexant.com. For technical questions, contact your local Conexant sales office or field applications engineer.

Contents

1.	Introduction	1-1
1.1	Overview	1-1
1.2	Features	1-3
1.2.1	SmartDAA Features	1-4
1.2.2	Applications	1-4
1.3	Technical Overview	1-5
1.3.1	General Description	1-5
1.3.2	MCU	1-5
1.3.3	Operating Modes	1-5
1.3.3.1	Data Modes	1-5
1.3.3.2	Worldwide Operation	1-5
1.3.4	Reference Design	1-6
1.4	Hardware Description	1-7
1.4.1	CX84100 V.22bis Modem	1-7
1.4.2	Digital Isolation Barrier	1-7
1.4.3	CX20493 SmartDAA Line Side Device	1-7
1.5	Commands	1-8
2.	Technical Specifications	2-1
2.1	Serial DTE Interface Operation	2-1
2.1.1	Automatic Speed/Format Sensing	2-1
2.2	Establishing Data Modem Connections	2-2
2.2.1	Dialing	2-2
2.2.2	Modem Handshaking Protocol	2-2
2.2.3	Call Progress Tone Detection	2-2
2.2.4	Answer Tone Detection	2-2
2.2.5	Ring Detection	2-2
2.2.6	Billing Protection	2-2
2.2.7	Connection Speeds	2-2
2.2.8	Automode	2-3
2.3	Data Mode	2-3
2.3.1	Speed Buffering (Normal Mode)	2-3
2.3.2	Flow Control	2-3
2.3.3	Direct Mode	2-3
2.3.4	Escape Sequence Detection	2-4
2.3.5	Telephone Line Monitoring	2-4
2.3.6	Retrain	2-4
2.3.7	Programmable Inactivity Timer	2-4
2.3.8	DTE Signal Monitoring (Serial DTE Interface Only)	2-4
2.4	Error Correction and Data Compression	2-4
2.4.1	V.42 Error Correction	2-4
2.4.2	MNP 2-4 Error Correction	2-4

2.4.3	V.42 bis Data Compression	2-5
2.5	Telephony Extensions	2-5
2.5.1	Line In Use Detection.....	2-5
2.5.2	Extension Pickup Detection	2-5
2.5.3	Remote Hangup Detection.....	2-5
2.5.4	Digital Line Protection	2-5
2.6	Caller ID	2-6
2.6.1	Type II CID.....	2-6
2.7	Worldwide Country Support	2-6
2.8	Diagnostics	2-7
2.8.1	Commanded Tests	2-7
2.9	Low Power Mode	2-7
3.	Hardware Interface.....	3-1
3.1	CX84100 V.22bis Modem Hardware Pins and Signals	3-1
3.1.1	CX84100 V.22bis Modem Signal Summary.....	3-1
3.1.1.1	CX20493 LSD Interface (Through DIB).....	3-1
3.1.1.2	Call Progress Speaker Interface	3-1
3.1.1.3	Serial DTE Interface and Indicator Outputs.....	3-1
3.1.1.4	Control and Signals.....	3-1
3.1.1.5	Crystal/Clock and Power Signals	3-2
3.1.2	CX84100 V.22bis Modem Pin Assignments and Signal Definitions	3-2
3.2	CX20493 LSD 28-Pin QFN Hardware Pins and Signals	3-8
3.2.1	CX20493 LSD 28-Pin QFN Signal Summary.....	3-8
3.2.1.1	CX84100 V.22bis Modem Interface (Through DIB).....	3-8
3.2.1.2	Telephone Line Interface	3-8
3.2.1.3	Voltage References.....	3-8
3.2.1.4	General Purpose Input/Output	3-9
3.2.1.5	No Connects	3-9
3.2.2	CX20493 LSD 28-Pin QFN Pin Assignments and Signal Definitions	3-9
3.3	CX20493 LSD 32-Pin LQFP Hardware Pins and Signals	3-13
3.3.1	CX20493 LSD 32-Pin LQFP Signal Summary	3-13
3.3.1.1	CX84100 Interface (Through DIB).....	3-13
3.3.1.2	Telephone Line Interface	3-13
3.3.1.3	Voltage References.....	3-13
3.3.1.4	General Purpose Input/Output	3-14
3.3.1.5	No Connects	3-14
3.3.2	CX20493 LSD 32-Pin LQFP Pin Assignments and Signal Definitions	3-14
3.4	CX20493 LSD GPIO DC Electrical Characteristics	3-18
3.5	Electrical and Environmental Specifications.....	3-19
3.5.1	Operating Conditions, Absolute Maximum Ratings, and Power Requirements	3-19
3.6	Interface Timing and Waveforms	3-21
3.6.1.1	Serial DTE Interface.....	3-21
3.7	Crystal Specifications.....	3-22
4.	Package Dimensions	4-1

Figures

Figure 1-1. SCXV.22bis Modem Simplified Interface Diagram	1-2
Figure 1-2. SCXV.22bis Modem Major Interfaces.....	1-2
Figure 3-1. CX84100 V.22bis Modem Hardware Interface Signals.....	3-2
Figure 3-2. CX84100 V.22bis Modem 28-Pin TSSOP Pin Signals	3-3
Figure 3-3. CX20493 LSD 28-Pin QFN Hardware Interface Signals.....	3-9
Figure 3-4. CX20493 LSD 28-Pin QFN Pin Signals.....	3-10
Figure 3-5. CX20493 LSD 32-Pin LQFP Hardware Interface Signals.....	3-14
Figure 3-6. CX20493 LSD 32-Pin LQFP Pin Signals	3-15
Figure 3-7. Waveforms - Serial DTE Interface	3-21
Figure 4-1. Package Dimensions - 28-Pin TSSOP	4-2
Figure 4-2. Package Dimensions - 28-Pin QFN: Punch Style.....	4-3
Figure 4-3. Package Dimensions - 28-Pin QFN: Sawn Style	4-4
Figure 4-4. Package Dimensions - 32-Pin LQFP	4-5

Tables

Table 1-1. SCXV.22bis Modem Model/Order/Part Numbers.....	1-2
Table 1-2. Default Countries Supported.....	1-6
Table 1-3. Supported AT Commands	1-8
Table 2-1. +MS Command Automode Connectivity.....	2-3
Table 2-2. Supported Caller ID Types.....	2-6
Table 2-3. Select Low-Power Mode (-SLP) Command Comparison Table	2-7
Table 3-1. CX84100 V.22bis Modem 28-Pin TSSOP Pin Signals.....	3-3
Table 3-2. CX84100 V.22bis Modem Pin Signal Definitions	3-4
Table 3-3. CX84100 V.22bis Modem I/O Type Definitions.....	3-7
Table 3-4. CX84100 V.22bis Modem DC Electrical Characteristics.....	3-7
Table 3-5. CX20493 LSD 28-Pin QFN Pin Signals	3-10
Table 3-6. CX20493 LSD 28-Pin QFN Signal Definitions	3-11
Table 3-7. CX20493 LSD 32-Pin LQFP Pin Signals	3-15
Table 3-8. CX20493 LSD 32-Pin LQFP Pin Signal Definitions	3-16
Table 3-9. CX20493 LSD GPIO DC Electrical Characteristics.....	3-18
Table 3-10. CX20493 LSD AVdd DC Electrical Characteristics.....	3-18
Table 3-11. Operating Conditions	3-19
Table 3-12. Absolute Maximum Ratings	3-19
Table 3-13. Current and Power Requirements	3-20
Table 3-14. Crystal Specifications	3-22
Table 4-1. Package Dimensions: 28-Pin QFN: Punch Style and Sawn Style	4-4

1. Introduction

1.1 Overview

The Conexant® CX84100-41/-23 SCXV.22bis modem supports up to V.22bis data modem operation with V.42 and MNP 4 error correction and V.42 bis data compression over a serial host interface. Major hardware interfaces and signal interfaces are illustrated in Figure 1-1 and Figure 1-2, respectively.

Conexant's SmartDAA® technology (patent pending) eliminates the need for a costly analog transformer, relays, and opto-isolators typically used in discrete DAA implementation of country-specific modem configurations thereby reducing system solution cost to a single bill of materials (BOM).

The SmartDAA system-powered DAA operates reliably without drawing power from the line, unlike line-powered DAAs, which operate poorly when line current is insufficient due to long lines or poor line conditions. Enhanced features, such as monitoring of local extension status without going off-hook, are also supported.

Incorporating Conexant's proprietary Digital Isolation Barrier (DIB) design (patent pending) and other innovative DAA features, the SmartDAA architecture simplifies application design, minimizes layout area, and reduces component cost.

The SCXV.22bis Modem device set, consisting of a CX84100 V.22bis Modem in a 28-pin TSSOP package and a CX20493 SmartDAA Line Side Device (LSD) in either a 28-pin Quad Flat No-lead (QFN) package or a 32-pin Low Profile Quad Pack (LQFP) package, supports data operation with hardware-based modem controller, digital signal processing, and DAA/telephone line interface functions.

The CX84100 V.22bis Modem integrates microcontroller (MCU), serial host interface, ROM code, RAM, and SmartDAA system side device (SSD) functions onto a single die.

Small, low profile packages, low voltage operation, and low power consumption make this device set an ideal V.22bis solution for embedded applications.

Although the modem operates by executing a mask code from internal ROM and RAM, a country profile can be added or modified via host upload to the modem internal RAM.

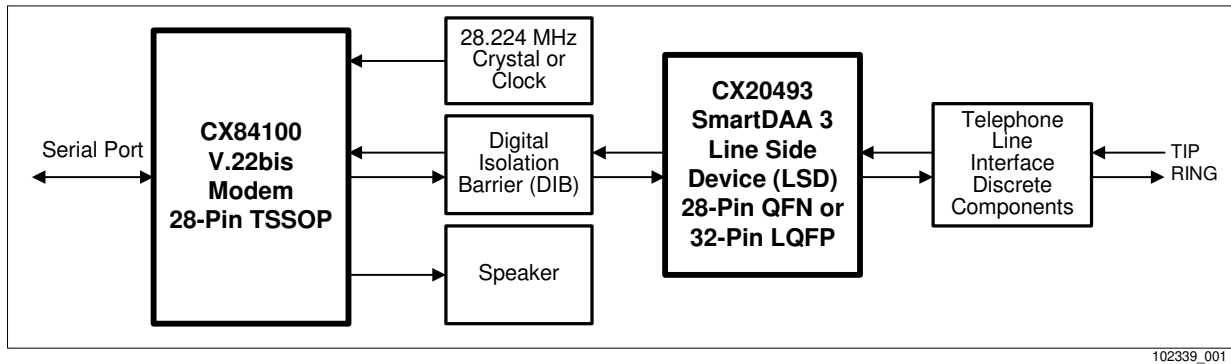
In V.22 fast connect mode, the modem can connect at 1200 bps with a very short training time, which is very efficient for small data transfers. Also, V.80 synchronous access mode supports host-controlled communication protocols.

This data sheet describes the modem capabilities. Commands and parameters are defined in the Commands Reference Manual (Doc. No. 102338).

Table 1-1. SCXV.22bis Modem Model/Order/Part Numbers

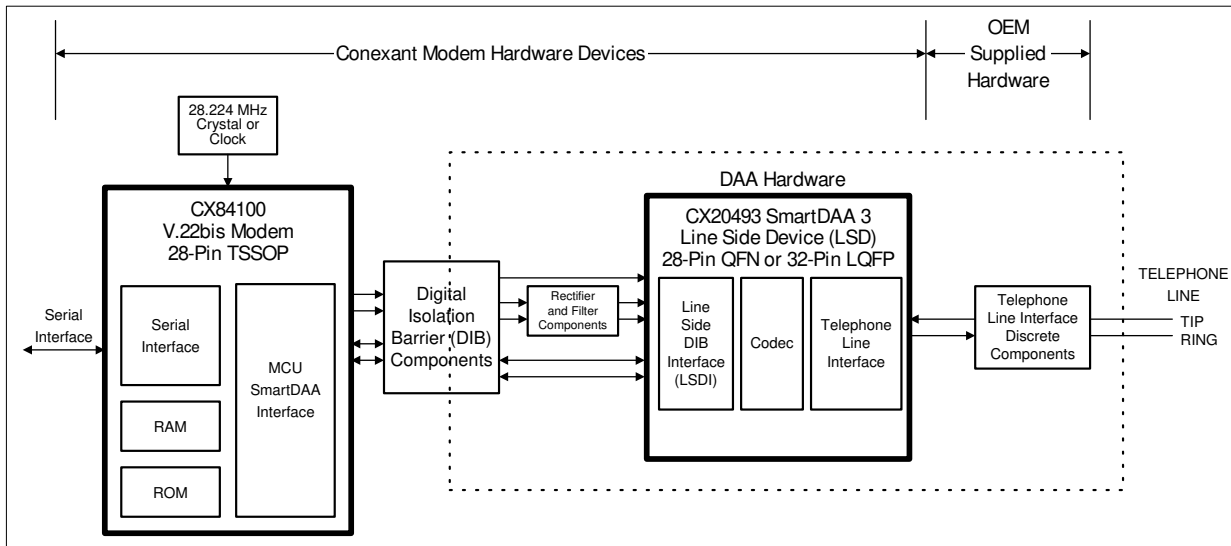
Model/Order/Part Numbers			
Marketing Name	Device Set Order No.	Modem [28-Pin TSSOP] Part No.	Line Side Device (LSD) [28-Pin QFN] Part No.
SCXV22bis	DS22-L100-041	CX84100-41	CX20493-21
SCXV22bis Pb Free	DS22-L100-023	CX84100-23	CX20493-31
Marketing Name	Device Set Order No.	Modem [28-Pin TSSOP] Part No.	Line Side Device (LSD) [38-Pin LQFP] Part No.
SCXV22bis	DSCX-V22-041	CX84100-41	CX20493-25
SCXV22bis Pb Free	DSCX-V22LF-023	CX84100-23	CX20493-35

Figure 1-1. SCXV.22bis Modem Simplified Interface Diagram



102339_001

Figure 1-2. SCXV.22bis Modem Major Interfaces



102339_002

1.2 Features

- Modulations
 - ITU-T V.22bis (2400 bps)
 - V.22 and Bell 212A (1200 bps)
 - V.22 fast connect
 - V.21 and Bell 103 (300 bps)
 - V.23 1200/75 and 75/1200
 - V.23 half duplex (1200 bps)
- Error correction and data compression
 - V.42 (LAPM) error correction
 - MNP2-MNP4 error correction
 - V.42 bis data compression
- Serial interface
- Synchronous data mode
 - Asynchronous data mode (normal and direct)
 - 10- and 11-bit data
 - DTE speeds up to 57600 bps
 - AT Command speed sensing from 300 bps to 57600 bps
 - RTS/CTS hardware flow control
 - XON/XOFF software flow control
- AT Command Set
 - Command set includes common Hayes/legacy and V.250 commands
 - AT\$Fn fast connect commands
- Other Protocols
 - V.80 Synchronous Access Mode
 - V.23 Reverse Mode Protocol
- Caller ID (CID) decoding
 - On-hook Caller ID Type I decoding
 - FSK decoder for Bell 202/V.23
 - Line reversal detection
 - Call Waiting Caller ID (CWCID) Type II decoding
- DTMF generation
 - Standard DTMF tone dialing generation
- Worldwide compliance
 - Worldwide DC Mask compliance (DC1, DC2, DC3, and DC4)
 - Worldwide pulse dialing
 - Blacklisting

- Enhanced DAA features
 - Digital Line Protection
 - Line reversal detection (for U.K. Caller ID signaling)
 - Line In Use detection
 - Extension Pickup detection (option to automatically disconnect or inform the DTE)
 - Remote Hang-up detection
- Thin packages support low profile designs (1.6 mm max. height)
 - CX84100 V.22bis Modem in 28-pin TSSOP
 - CX20493 Line Side Device in 28-pin QFN or 32-pin LQFP
- Power
 - Single +3.3 V supply
 - Low Power Mode
 - Pin-compatible with Conexant SmartV.XX Modem (V.90+/V.34/V.32bis) in 28-pin CTLGA (see Doc. No. 102025)

1.2.1 SmartDAA Features

- System side powered DAA operates under poor line current supply conditions
- Wake-on-ring
- Ring detection
- Line polarity reversal detection
- Line current loss detection
- Pulse dialing
- Line In Use detection – detects even while on-hook
- Remote Hang-up detection – for efficient call termination
- Extension Pickup detection
- Call Waiting detection
- Digital Line Protection
- Meets worldwide DC VI Masks requirements

1.2.2 Applications

- Set top boxes
- Point-of-Sale terminals
- ATM machines
- Minitel terminals

1.3 Technical Overview

1.3.1 General Description

Modem operation, including dialing, call progress, telephone line interface, telephone handset interface, and host interface functions are supported and controlled through the AT command set.

The modem hardware connects to the host via a serial interface. The OEM adds a crystal circuit or clock input, DIB components, telephone line interface, and other supporting discrete components as required by the application to complete the system.

1.3.2 MCU

The MCU performs processing of general modem control, command sets, data modem, error correction, worldwide, V.80, serial host interface functions, and signal processing.

1.3.3 Operating Modes

1.3.3.1 Data Modes

The modem operates in 2-wire full-duplex, asynchronous and synchronous modes at line rates up to 2400 bps (V.22bis), 1200 bps (V.22, V.22 fast connect, and Bell 212A), and 300 bps (V.21 and Bell 103). V.23 full duplex (asymmetrical connect rate of 1200 bps in one direction and 75 bps in the other direction) and V.23 half duplex mode (1200 bps) are also supported.

In V.22 fast connect data mode, the modem can connect at 1200 bps with a very short training time, which is very efficient for small data transfers.

1.3.3.2 Worldwide Operation

The modem operates in TBR21-compliant and other countries. Country-dependent modem parameters for functions such as dialing, carrier transmit level, calling tone, call progress tone detection, answer tone detection, blacklisting, Caller ID, and relay control are programmable.

SmartDAA technology allows a single PCB design and single BOM to be homologated worldwide. Advanced features such as extension pickup detection, remote hang-up detection, line-in-use detection, and digital line detection are supported.

Internal ROM includes default profiles for 64 countries. Additional country profiles can be uploaded to internal RAM (request additional country profiles from a Conexant Sales Office). Duplicate country profiles uploaded to internal RAM will override the default profiles in internal firmware. Country code IDs are defined by ITU-TT.35. The default countries supported are listed in Table 1-2.

Table 1-2. Default Countries Supported

Country	Country Code	Country	Country Code
Argentina	7	Luxembourg	69
Australia	9	Malaysia	6C
Austria	0A	Mexico	73
Belgium	0F	Morocco	77
Brazil	16	Netherlands	7B
Bulgaria	1B	New Zealand	7E
Canada	20	Norway	82
Chile	25	Pakistan	84
China	26	Philippines	89
Columbia	27	Poland	8A
Croatia	FA	Portugal	8B
Cyprus	2D	Romania	8E
Czech Republic	2E	Russia	B8
Denmark	31	South Africa	9F
Egypt	36	Saudi Arabia	98
Estonia	F9	Senegal	99
Finland	3C	Singapore	9C
France	3D	Slovakia	FB
Germany	42	Slovenia	FC
Greece	46	Spain	A0
Hong Kong	50	Sri Lanka	A1
Hungary	51	Sweden	A5
Iceland	52	Switzerland	A6
India	53	Taiwan	FE
Indonesia	54	Thailand	A9
Ireland	57	Tunisia	AD
Israel	58	Turkey	AE
Italy	59	UK	B4
Japan	0	UK Genesys	FD
Korea	61	United Arab Emirates	B3
Kuwait	62	Uruguay	B7
Lebanon	64	USA	B5

1.3.4 Reference Design

An RS-232 external data modem reference design is available to minimize application design time, reduce development cost, and accelerate market entry.

A design package is available in electronic form. This package includes schematics, bill of materials (BOM), vendor part list (VPL), board layout files in Gerber format, and complete documentation.

1.4 Hardware Description

SmartDAA™ technology (patent pending) eliminates the need for a costly analog transformer, relays, and opto-isolators that are typically used in discrete DAA implementations. The programmable SmartDAA architecture simplifies product implementation in worldwide markets by eliminating the need for country-specific components.

1.4.1 CX84100 V.22bis Modem

The CX84100 V.22bis Modem, packaged in a 28-pin TSSOP, includes a Microcontroller (MCU), internal ROM code, internal RAM, and SmartDAA interface functions.

The modem connects to the host via a logical V.24 (EIA/TIA-232-E) serial DTE interface.

The modem performs the command processing and host interface functions. The crystal or clock input frequency is 28.224 MHz.

The modem performs telephone line signal modulation/demodulation in a hardware digital signal processor (DSP) which reduces computational load on the host processor.

The SmartDAA Interface communicates with, and supplies power and clock to, the LSD through the DIB.

1.4.2 Digital Isolation Barrier

The OEM-supplied Digital Isolation Barrier (DIB) electrically DC isolates the CX84100 V.22bis Modem from the CX20493 LSD and telephone line. The CX84100 V.22bis Modem is connected to a fixed digital ground and operates with standard CMOS logic levels. The LSD is connected to a floating ground and can tolerate high voltage input (compatible with telephone line and typical surge requirements).

The DIB transformer couples power and clock from the CX84100 V.22bis Modem to the CX20493 LSD.

The DIB data channel supports bidirectional half-duplex serial transfer of data, control, and status information between the CX84100 V.22bis Modem and the CX20493 LSD over two lines.

1.4.3 CX20493 SmartDAA Line Side Device

The CX20493 SmartDAA Line Side Device (LSD) includes a Line Side DIB Interface (LSDI), a coder/decoder (codec), and a Telephone Line Interface (TLI).

The LSDI communicates with, and receives power and clock from, the SmartDAA interface in the CX84100 V.22bis Modem through the DIB.

LSD power is received from the CX84100 PWRCLKP and PWRCLKN pins via the DIB through a half-wave rectifying diode and capacitive power filter circuit connected to the DIB transformer secondary winding.

The CLK input is also accepted from the DIB transformer secondary winding through a capacitor and a resistor in series.

Information is transferred between the CX20493 LSD and the CX84100 V.22bis Modem through the DIB_P and DIB_N pins. These pins connect to the CX84100 V.22bis Modem DIB_DATAP and DIB_DATAN pins, respectively, through the DIB.

The TLI integrates DAA and direct telephone line interface functions and connects directly to the line TIP and RING pins, as well as to external line protection components.

Direct LSD connection to TIP and RING allows real-time measurement of telephone line parameters, such as the telephone central office (CO) battery voltage, individual telephone line (copper wire) resistance, and allows dynamic regulation of the off-hook TIP and RING voltage and total current drawn from the central office (CO). This allows the modem to maintain compliance with U.S. and worldwide regulations and to actively control the DAA power dissipation.

1.5 Commands

Modem functions operate in response to data modem and V.80 AT commands and S Register parameters (Table 1-3). See AT Commands for CX84100-41/-23 SCXV.22bis Modem Reference Guide (Doc. No. 102338) for a complete description of the commands and registers.

Table 1-3. Supported AT Commands

Command	Description
\$F	FastConnect Control
%C	Enable/Disable Data Compression
%E	Enable/Disable Line Quality Monitor and Auto-Retrain
%L	Report Line Signal Level
%Q	Report Line Signal Quality
%TT	PTT Test Command
&C	RLSD Option
&D	DTR Option
&F	Restore Factory Configuration (Profile)
&G	Select Guard Tone
&K	Flow Control
&M	Asynchronous/Synchronous Mode Selection
&P	Select Pulse Dial Make/Break Ratio
&Q	Sync/Async Mode
&R	RTS/CTS Option
&T	Local Analog Loopback Test
&V	Display Current Configuration and Stored Profiles
&V1	Display Last Connection Statistics
&X	Select Synchronous Clock Source
**	Load to Internal RAM
*B	Display Blacklisted Numbers
*D	Display Delayed Numbers
\A	Select Maximum MNP Block Size
\G	Modem-to-Modem Flow Control (XON/XOFF)
\N	Operating Mode
\V	Single Line Connect Message Enable

Table 1-3. Supported AT Commands (Continued)

Command	Description
+DR	Data Compression Reporting
+DS	Data Compression
+ER	Error Control Reporting
+ES	Error Control and Synchronous Mode Selection
+ESA	Configure Synchronous Access Submode
+ESR	Selective Repeat
+ETBM	Call Termination Buffer Management
+GCI	Country of Installation
+IBC	In-Band Commands
+IFC	DTE Modem Local Flow Control
+ITF	Transmit Flow Control Thresholds
+MR	Modulation Reporting Control
+MS	Modulation Selection
+PCW	Call Waiting Enable
+VCID	Caller ID (CID)
+VDR	Distinctive Ring
+VDT	Control Tone Cadence Reporting
+VRID	Report Retrieved CID
-HTRV	History of Tip and Ring Voltage
-SLP	Select Low-Power Mode
-STE	Set Telephony Extension
-TRV	Tip and Ring Voltage Measurement
-TTE	Threshold Adjustments for Telephony Extension
A	Answer
B	ITU-T or Bell
D	Dial
E	Command Echo
H	Disconnect (Hang-Up)
I	Identification
L	Speaker Volume
M	Speaker Control
O	Return to On-Line Data Mode
P	Set Pulse Dial Default
Q	Quiet Results Codes Control
S	Read/Write S-Parameter
T	Set Tone Dial Default
V	Result Code Form
W	Connect Message Control
X	Extended Result Codes
Z	Soft Reset and Restore Profiles

This page is intentionally blank.

2. Technical Specifications

2.1 Serial DTE Interface Operation

2.1.1 Automatic Speed/Format Sensing

Command Mode and Data Modem Mode. The modem can automatically determine the speed and format of the data sent from the DTE. The modem can sense speeds of 300, 600, 1200, 2400, 4800, 7200, 9600, 12000, 14400, 16800, 19200, 28800, 38400, and 57600 bps and the following data formats:

Parity	Data Length (No. of Bits)	No. of Stop Bits	Character Length (No. of Bits)
None	7	2	10
Odd	7	1	10
Even	7	1	10
None	8	1	10
Odd	8	1	11*
Even	8	1	11*

*11-bit characters are sensed, but the parity bit is stripped off during data transmission in Normal and Error Correction modes.

The modem can speed sense data with mark or space parity and configures itself as follows:

DTE Configuration	Modem Configuration
7 mark	7 none
7 space	8 none
8 mark	8 none
8 space	8 even

2.2 Establishing Data Modem Connections

2.2.1 Dialing

Pulse Dialing. Pulse dialing is supported in accordance with EIA/TIA-496-A.

Blind Dialing. The modem can blind dial in the absence of a dial tone if enabled by the X0, X1, or X3 command.

2.2.2 Modem Handshaking Protocol

If a tone is not detected within the time specified in the S7 register after the last digit is dialed, the modem aborts the call attempt.

2.2.3 Call Progress Tone Detection

Ringback, equipment busy, congested tone, warble tone, and progress tones can be detected in accordance with the applicable standard.

2.2.4 Answer Tone Detection

Answer tone can be detected over the frequency range of 2100 ± 40 Hz in ITU-T modes and 2225 ± 40 Hz in Bell modes.

2.2.5 Ring Detection

A ring signal can be detected from a TTL-compatible 15.3 Hz to 68 Hz square wave input.

2.2.6 Billing Protection

When the modem goes off-hook to answer an incoming call, both transmission and reception of data are prevented for 2 seconds to allow transmission of the billing tone signal.

2.2.7 Connection Speeds

Line connection can be selected using the +MS command. The +MS command selects modulation, enables/disables automode, and selects minimum and maximum line speeds (Table 2-1).

2.2.8 Automode

Automode detection can be enabled by the +MS command to allow the modem to connect to a remote modem (Table 2-1).

Table 2-1. +MS Command Automode Connectivity

<mod>	Modulation	Possible Rates (bps) ¹	Notes
V21	V.21	300	
V22	V.22	1200	
V22B	V.22bis	2400 or 1200	Default
V23C	V.23	1200	See Note 2
B103	Bell 103	300	
B212	Bell 212	1200	
Notes:			
1. See optional <automode>, <min_rate>, and <max_rate> subparameters for the +MS command.			
2. For V.23, originating modes transmit at 75 bps and receive at 1200 bps; answering modes transmit at 1200 bps and receive at 75 bps. The rate is always specified as 1200 bps. V.23 half duplex is not supported.			
3. If the DTE speed is set to less than the maximum supported DCE speed in automode, the maximum connection speed is limited to the DTE speed.			

2.3 Data Mode

Data mode exists when a telephone line connection has been established between modems and all handshaking has been completed.

2.3.1 Speed Buffering (Normal Mode)

Speed buffering allows a DTE to send data to, and receive data from, a modem at a speed different than the line speed. The modem supports speed buffering at all line speeds.

2.3.2 Flow Control

DTE-to-Modem Flow Control. If the modem-to-line speed is less than the DTE-to-modem speed, the modem supports XOFF/XON or RTS/CTS flow control with the DTE to ensure data integrity.

2.3.3 Direct Mode

The Direct mode allows data to be transmitted and received directly from either the DTE or remote modem. The Direct mode is selected with the AT&Q0 or AT\N1 command.

When running Direct mode, no flow control characters are recognized or transmitted, and the modem cannot perform error correction. The purpose of the Direct mode is to make the modem 'dumb' for compatibility with older style modems.

Any data received while the modem is in command mode is lost.

2.3.4 Escape Sequence Detection

The +++ escape sequence can be used to return control to the command mode from the data mode. Escape sequence detection is disabled by an S2 Register value greater than 127.

2.3.5 Telephone Line Monitoring

Loss of Carrier. If carrier is lost for a time greater than specified by the S10 register, the modem disconnects.

2.3.6 Retrain

The modem may lose synchronization with the received line signal under poor or changing line conditions. If this occurs, retraining may be initiated to attempt recovery depending on the type of connection.

The modem initiates a retrain if line quality becomes unacceptable if enabled by the %E command. The modem continues to retrain until an acceptable connection is achieved, or until 30 seconds elapse resulting in line disconnect.

2.3.7 Programmable Inactivity Timer

The modem disconnects from the line if data is not sent or received for a specified length of time. In normal or error-correction mode, this inactivity timer is reset when data is received from either the DTE or from the line. This timer can be set to a value between 0 and 255 seconds by using register S30. A value of 0 disables the inactivity timer.

2.3.8 DTE Signal Monitoring (Serial DTE Interface Only)

DTR#. When DTR# is asserted, the modem responds in accordance with the &Dn and &Qn commands.

RTS#. RTS# is used for flow control if enabled by the &K command in normal or error-correction mode.

2.4 Error Correction and Data Compression

2.4.1 V.42 Error Correction

V.42 supports two methods of error correction: LAPM and, as a fallback, MNP 4. The modem provides a detection and negotiation technique for determining and establishing the best method of error correction between two modems.

2.4.2 MNP 2-4 Error Correction

MNP 2-4 is a data link protocol that uses error correction algorithms to ensure data integrity. Supporting stream mode, the modem sends data frames in varying lengths depending on the amount of time between characters coming from the DTE.

2.4.3 V.42 bis Data Compression

V.42 bis data compression mode, enabled by the %Cn command or S46 register, operates when a LAPM or MNP 2-4 connection is established.

The V.42 bis data compression employs a “string learning” algorithm in which a string of characters from the DTE is encoded as a fixed length codeword. Two 512-byte dictionaries are used to store the strings. These dictionaries are dynamically updated during normal operation.

2.5 Telephony Extensions

The following telephony extension features are supported that can typically be implemented in designs for set-top box applications to enhance end-user experience:

- Line In Use detection
- Extension Pickup detection
- Remote Hang-up detection
- Digital Line Protection

2.5.1 Line In Use Detection

The Line In Use Detection feature can stop the modem from disturbing the phone line when the line is already being used. When an automated system tries to dial using ATDT and the phone line is in use, the modem will not go off hook and will respond with the message “LINE IN USE”.

2.5.2 Extension Pickup Detection

The Extension Pickup Detection feature (also commonly referred as PPD or Parallel phone detection) allows the modem to detect when another telephony device (i.e., fax machine, phone, satellite/cable box) is attempting to use the phone line.

This feature can be used to quickly drop a modem connection in the event when a user picks up a extension phone line. For example, this feature allows set top boxes with an integrated SCXV.22bis Modem to give normal voice users the highest priority over the telephone line.

2.5.3 Remote Hangup Detection

The Remote Hangup Detection feature will cause the modem to go back onhook during a data connection when the remote modem is disconnected for abnormal termination reasons (remote phone line unplugged, remote server/modem shutdown).

2.5.4 Digital Line Protection

The Digital Line Protection (DLP) feature prevents damage to the modem if a digital PBX telephone line is detected. This is accomplished by forcing the modem to go back on hook if it attempts to go off hook on a digital line. This feature is enabled by default and can be tuned via the -TTE command.

The SmartDAA qualifies the line current and power rating every time the modem goes off hook and decides with a given threshold to qualify the presence of a digital PBX line.

2.6 Caller ID

Both Type I Caller ID (On-Hook Caller ID) and Type II Caller ID (Call Waiting Caller ID) are supported for U.S. and many other countries (see Section 2.7). Both types of Caller ID are enabled/disabled using the +VCID command. When enabled, Caller ID information (date, time, caller code, and name) can be passed to the DTE in formatted or unformatted form. Inquiry support allows the current Caller ID mode and mode capabilities of the modem to be retrieved from the modem. Table 2-2 identifies Caller ID type differences.

Table 2-2. Supported Caller ID Types

Caller ID Type	Modem State	Parallel Phone
Type I CID (On-hook)	On-hook	On-hook
Type II CID (Call Waiting)	Off-hook	On-hook

2.6.1 Type II CID

When connected in V.22bis and Call Waiting is detected (assuming Call Waiting detection is enabled by +PCW = 0 command), the modem notifies the user of incoming call by toggling the RI pin. Under similar condition except +PCW = 1, the modem will hang up. In all other modulations, when +PCW = {0 or 1} and Call Waiting comes in during data mode, the modem will hang up.

When +PCW = 1 and Caller ID is enabled, the modem will attempt to do Type II Caller ID before hanging up. The Caller ID information may then be retrieved by issuing +VRID = {0 or 1} after the modem hangs up.

The modem operates as normal when Call Waiting detection is disabled (+PCW = 2). However, the modem may also disconnect due to a carrier loss caused by the noise disturbance that the Call Waiting introduced to the line.

2.7 Worldwide Country Support

Internal modem firmware supports 64 country profiles (see Section 1.3.3.2). A country profile can be uploaded via SRAM patch in addition to, or to override, one of the default countries in the code. These country profiles include the following country-dependent parameters:

- Dial tone detection levels and frequency ranges.
- Pulse dialing parameters: make/break times, set/clear times, and dial codes.
- Ring detection frequency range.
- Type I and Type II Caller ID are supported for many countries. Consult firmware release notes for a list of the supported countries and the criteria for additional country support.
- Blind dialing enabled/disable.
- Calling tone is generated in accordance with V.25. Calling tone may be toggled (enabled/disabled) by inclusion of a “^” character in a dial string. It may also be disabled.
- Frequency and cadence of tones for busy, ringback, congested, warble, dial tone 1, and dial tone 2.
- Answer tone detection period.

- Blacklist parameters. The modem can operate in accordance with requirements of individual countries to prevent misuse of the network by limiting repeated calls to the same number when previous call attempts have failed. Call failure can be detected for reasons such as no dial tone, number busy, no answer, no ringback detected, voice (rather than modem) detected, and key abort (dial attempt aborted by user). Actions resulting from such failures can include specification of minimum inter-call delay, extended delay between calls, and maximum numbers of retries before the number is permanently forbidden ("blacklisted").

Country profiles may be altered or customized by modifying the country-dependent parameters. Additional profiles may also be included by uploading to internal RAM. Contact the local Conexant sales office if country code customization is required.

2.8 Diagnostics

2.8.1 Commanded Tests

Diagnostics are performed in response to &T commands.

Analog Loopback (&T1 Command). Data from the local DTE is sent to the modem, which loops the data back to the local DTE.

2.9 Low Power Mode

The S24 register sets the length of time, in seconds, that the modem will operate in normal mode with no detected telephone line or DTE line activity before entering low-power mode. The timer resets upon any DTE line or telephone line activity. Neither DTE line nor telephone inactivity will cause the modem to enter into low-power mode if the S24 is set to zero.

When the S24 timer expires, the modem enters into low-power mode, which has three variations controlled by -SLP or Select Low-Power Mode command. The low-power mode can be configured either in idle, sleep, or stop mode as shown in Table 2-3. Either a ring input or host serial transmit activity will force the modem out of low-power mode and back to normal mode. Note that the first issued command will get processed during idle mode but not in sleep or stop mode. The first byte sent merely wakes up the modem, thus missing the first command. However, subsequent commands will get processed as normal operating mode resumes.

The device power consumption, which includes the LSD or CX20493, is listed in Table 3-13.

Table 2-3. Select Low-Power Mode (-SLP) Command Comparison Table

AT-SLP =	0 (Idle)	1 (Sleep)	2 (Stop)
Ring input	Yes	Yes	Yes
Host serial TXD activity	Yes	Yes*	Yes*
* The first AT command is ignored but modem returns to normal operating mode.			

This page is intentionally blank.

3. Hardware Interface

3.1 CX84100 V.22bis Modem Hardware Pins and Signals

3.1.1 CX84100 V.22bis Modem Signal Summary

3.1.1.1 CX20493 LSD Interface (Through DIB)

The DIB interface signals are:

- Clock and Power Positive (PWRCLKP); output
- Clock and Power Negative (PWRCLKN); output
- Data Positive (DIB_DATAP); input/output
- Data Negative (DIB_DATAN); input/output

3.1.1.2 Call Progress Speaker Interface

The call progress speaker interface signal is:

- Digital speaker output (DSPKOUT); output

3.1.1.3 Serial DTE Interface and Indicator Outputs

The supported serial host interface signals are:

- Serial Transmit Data: TXD#; input
- Serial Receive Data: RXD#; output
- Clear to Send: CTS#; output
- Received Signal Line Detected: RLSD#; output
- Request to Send: RTS#, input
- Ring Indicator: RI#, output

Additional clock signals provided for synchronous mode are:

- Receive Data Clock: RDCLK#
- Transmit Data Clock: TDCLK#

3.1.1.4 Control and Signals

The supported control signals are:

- Reset: RESET#; input
- Low Power Oscillator Select; LPO; input

3.1.1.5 Crystal/Clock and Power Signals

Supported crystal and power signals are:

- Crystal/Clock input: XTLI
- Crystal return: XTLO
- +3.3 V power: VDD
- Ground; GND

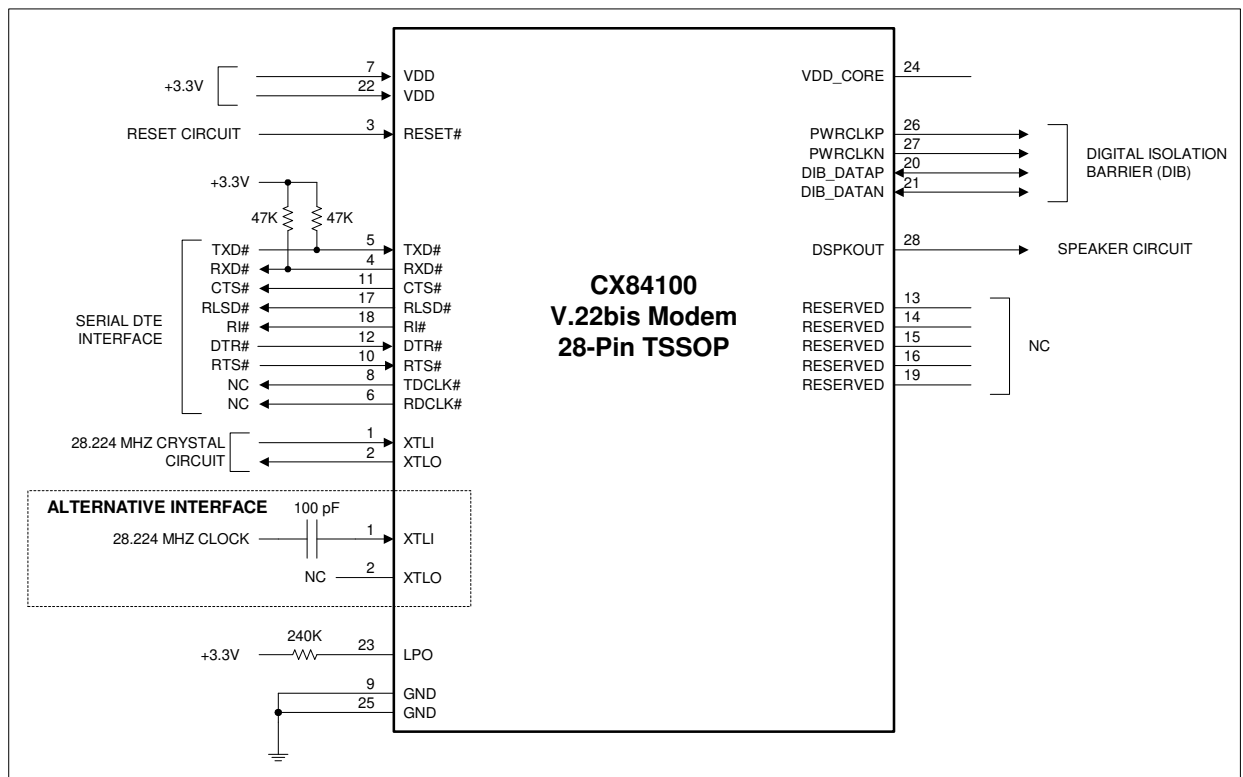
3.1.2 CX84100 V.22bis Modem Pin Assignments and Signal Definitions

CX84100 V.22bis Modem 28-pin TSSOP hardware interface signals for serial interface are shown by major interface in Figure 3-1, are shown by pin number in Figure 3-2, and are listed by pin number in Table 3-1.

CX84100 V.22bis Modem hardware interface signals for serial interface are defined in Table 3-2.

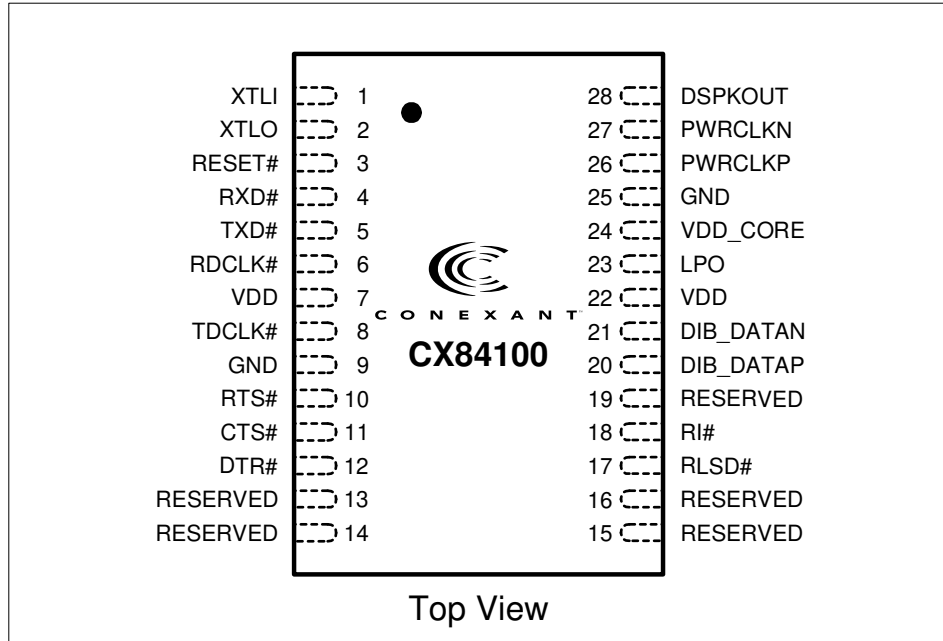
I/O types are defined in Table 3-3. DC electrical characteristics are listed in Table 3-4.

Figure 3-1. CX84100 V.22bis Modem Hardware Interface Signals



102339_003

Figure 3-2. CX84100 V.22bis Modem 28-Pin TSSOP Pin Signals



102339_004

Table 3-1. CX84100 V.22bis Modem 28-Pin TSSOP Pin Signals

Pin No.	Signal Name	Pin No.	Signal Name
1	XTLI	15	RESERVED
2	XTLO	16	RESERVED
3	RESET#	17	RLSD#
4	RXD#	18	RI#
5	TXD#	19	RESERVED
6	RDCLK#	20	DIB_DATAP
7	VDD	21	DIB_DATAN
8	TDCLK#	22	VDD
9	GND	23	LPO
10	RTS#	24	VDD_CORE
11	CTS#	25	GND
12	DTR#	26	PWRCLKP
13	RESERVED	27	PWRCLKN
14	RESERVED	28	DSPKOUT

Table 3-2. CX84100 V.22bis Modem Pin Signal Definitions

Label	Pin	I/O	I/O Type	Signal Name/Description
System				
XTLI	1	I	Ix	28.224 MHz Crystal Oscillator Input. Crystal oscillator input or external input pin. When using a crystal oscillator, connect the crystal between pins 1 and 2. If a crystal is not used, connect this pin to an external clock through a 100 pF capacitor (see Figure 3-1).
XTLO	2	O	Ox	28.224 MHz Crystal Oscillator Output. When using a crystal oscillator, connect the crystal between pins 1 and 2. This pin is left unconnected when an alternative clock source is applied to XTLI.
RESET#	3	I	ltpu	Master Reset. The RESET# input resets the CX84100 device and returns the modem to the factory default values. When RESET# is at logic 0, it holds the modem in the reset state; A low-to-high transition releases the modem from the reset state. After application of VDD, RESET# must be held low for at least 15 ms after the VDD power reaches operating range. The modem device set is ready to use 25 ms after the low-to-high transition of RESET#. The RESET# input is typically connected to a reset switch circuit.
VDD	7, 22	P	PWR	Digital Supply Voltage. Connect to +3.3 V.
VDD_CORE	24	P	PWR	Core Voltage. Core Voltage. Internal +1.8 V core voltage for decoupling. Do not connect this pin to an external +1.8 V power supply.
GND	9, 25	G	GND	Digital Ground. Connect to system ground.
LPO	23	I	Rx	Low Power Oscillator. Connect to +3.3 V through a 240 kΩ ±1% resistor. This enables an internal oscillator to generate a 33 MHz clock for use in low power modes.
RESERVED	13, 14, 15, 16, 19			Reserved. Connected to internal circuitry. Leave open.
Speaker Interface				
DSPKOUT	28	O	Ot2	Speaker Digital Output. This signal is the digital output made from the received analog input signal digitized to TTL levels by an internal comparator.
DIB Interface				
PWRCLKP	26	O	It/Odpc	Clock and Power Positive. Provides clock and power to the LSD. Connect to DIB transformer primary winding non-dotted terminal.
PWRCLKN	27	O	It/Odpc	Clock and Power Negative. Provides clock and power to the LSD. Connect to DIB transformer primary winding dotted terminal.
DIB_DATAP	20	I/O	Idd/Odd	Data Positive. Transfers data, control, and status information between the CX84100 V.22bis Modem and the LSD. Connect to LSD through DIB data positive channel components.
DIB_DATAN	21	I/O	Idd/Odd	Data Negative. Transfers data, control, and status information between the CX84100 V.22bis Modem and the LSD. Connect to LSD through DIB data negative channel components.

Table 3-2. CX84100 V.22bis Modem Pin Signal Definitions (Continued)

Label	Pin	I/O	I/O Type	Signal Name/Description
V.24 (EIA/TIA-232-E) DTE Serial Interface				
TXD#	5	I	Itpu/Ot2	Transmit Serial Input (EIA BA/ITU-T CT103). Serial data is sent on this line from the DTE to the DCE. The DTE holds this line at logic 1 when no data is being transmitted. The following signals must be at logic 0, where implemented, before data can be transmitted on this line: Request To Send (RTS), Clear To Send (CTS), and Data Terminal Ready (DTR).
RXD#	4	O	It/Ot2	Receive Serial Output (EIA BB/ITU-T CT104). Serial data is sent on this line from the DCE to the DTE. This pin is held at logic 1 (Mark) when no data is being transmitted, and is held logic 1 for a brief interval after a logic 0 to 1 transition on the Request To Send line (RTS), in order to allow the transmission to complete.
CTS#	11	O	Itpu/Ot2	Clear To Send (EIA CB/ITU-T CT106). An answer signal to the DTE. When this signal is active, it tells the DTE that it can now start transmitting. When CTS is logic 0 and the Request To Send (RTS) and Data Terminal Ready (DTR) are both logic 0, the DTE is assured that its data will be sent to the communications link. Logic 1 indicates to the DTE that the DCE is not ready, and therefore data should not be sent. In asynchronous operation, in error correction or normal mode, CTS is always at logic 0 unless RTS/CTS flow control is selected by the &Kn command. In synchronous operation, the modem also holds CTS at logic 0 during asynchronous command state. The modem switches CTS to logic 1 immediately upon going off-hook and holds it there until RLSD is at logic 0 in which case the modem is ready to transmit and receive synchronous data. CTS can also track the state of RTS via the &Rn command.
RLSD#	17	O	It/Ot2	Received Line Signal Detector (EIA CF/ITU-T CT109). The DCE uses this line to signal the DTE that a good signal is being received assuming AT&C0 command is not in effect (a "good signal" means a good analog carrier, that can ensure demodulation of received data).
RI#	18	O	It/Ot2	Ring Indicator (EIA CE/ITU-T CT125). On this line the DCE signals the DTE that there is an incoming call. This signal is maintained at logic 1 at all times except when the DCE receives a ringing signal.
DTR#	12	I	Itpu/Ot2	Data Terminal Ready (EIA CD/ITU-T CT108). When at logic 0, DTR# tells the DCE that the DTE is available for receiving. The DTR signal deals with the readiness of the equipment, as opposed to the Clear To Send (CTS) and Request To Send (RTS) signals that deal with the readiness of the communication channel. Logic 1 places the modem in the disconnect state under the control of &Dn and &Qn commands.

Table 3-2. CX84100 V.22bis Modem Pin Signal Definitions (Continued)

Label	Pin	I/O	I/O Type	Signal Name/Description
V.24 (EIA/TIA-232-E) DTE Serial Interface (Continued)				
RTS#	10	I	Itpu/Ot2	<p>Request To Send (EIA CA/ITU-T CT105). The DTE uses this signal when it wants to transmit to the DCE. This signal, in combination with the Clear To Send (CTS) signal, coordinates data transmission between the DTE and the DCE.</p> <p>A logic 0 on this line keeps the DCE in transmit mode. The DCE will receive data from the DTE to be forwarded to the communication link.</p> <p>The RTS and CTS signals relate to a half-duplex telephone line. A half duplex line is capable of carrying signals on both directions but only one at a time. When the DTE has data to send, it raises RTS, and then waits until the DCE changes from receive to transmit mode. The logic 1 to 0 transition of the RTS instructs the DCE to switch to "transmit" mode, and when a transmission is possible, the DCE sets CTS and transmission can begin.</p> <p>On a full duplex line, like a hard-wired connection, where transmission and reception can occur simultaneously, the CTS and RTS signals are held to a constant logic 0 level. A logic 0 to 1 transition of the RTS instructs the DCE to complete data transmission and to switch to a "receive" (or "no transmission") mode.</p>
TDCLK#	8	O	It/Ot2	<p>Transmit Serial Clock. The DCE sends the DTE a clock signal on this line. This enables the DTE to transmit serial data on the Transmitted Data line (TXD). The clock frequency is the same as the bit rate ($\pm 0.01\%$) of TXD with a duty cycle of $50\pm 1\%$.</p> <p>TDCLK# signal transition from logic 0 to 1 marks the center of each bit on TXD. Leave open if not used.</p>
RDCLK#	6	O	It/Ot2	<p>Receive Serial Clock. The DCE sends the DTE a clock signal on this line. RDCLK clocks the reception circuitry of the DTE, which receives serial data on the Received Data line (RXD). The clock frequency is the same as the bit rate ($\pm 0.01\%$) of RXD with a duty cycle of $50\pm 1\%$. RDCLK# signal transition from logic 0 to 1 indicates the center of each signal bit on RXD. Leave open if not used.</p>
<p>Notes: I/O Types: See Table 3-3.</p>				

Table 3-3. CX84100 V.22bis Modem I/O Type Definitions

I/O Type	Description
Ix	Input, wire
Ox	Output, wire
Rx	Oscillator pad, place 1%, 240 kΩ resistor from pad to VDD
It/Ot2	Digital input, +5 V tolerant, keeper/Digital output, 2 mA
Itpu/Ot2	Digital input, +5 V tolerant, 75 kΩ pull up/Digital output, 2 mA
Itpu	Digital input, + tolerant, 75 kΩ pull up
Ot2	Digital output, 2 mA
It/Odpc	Digital input, +5 V tolerant/Digital output with adjustable drive; DIB clock and power
Idd/Odd	Digital input/Digital output; DIB data transceiver
PWR	Power
GND	Ground

NOTES:

- See DC characteristics in Table 3-4.
- I/O Type corresponds to the device Pad Type. The I/O column in signal interface tables refers to signal I/O direction used in the application.

Table 3-4. CX84100 V.22bis Modem DC Electrical Characteristics

Parameter	Symbol	Min.	Typ.	Max.	Units	Test Conditions
Input Voltage Low	VIL					
+5 V tolerant		0	–	0.8	V	
+5 V tolerant hysteresis		0	–	0.3 *VGG	V	
Input Voltage High	VIH				V	
+5 V tolerant		2	–	5.25	V	
+5 V tolerant hysteresis		0.7 * VDD	–	5.25	V	
Input Hysteresis	VH				V	
+3V hysteresis		0.5	–		V	
+5 V tolerant, hysteresis		0.3	–		V	
Output Voltage Low	VOL					
Z _{INT} = 120 Ω		0	–	0.4	V	IOL = 2 mA
Z _{INT} = 50 Ω		0	–	0.4	V	IOL = 8 mA
Output Voltage High	VOH				V	
Z _{INT} = 120 Ω		2.4	–	VDD	V	IOL = -2 mA
Z _{INT} = 50 Ω		2.4	–	VDD	V	IOL = -8 mA
Pull-Up Resistance	R _{pu}	50	–	200	kΩ	
Pull-Down Resistance	R _{pd}	50	–	200	kΩ	

Test Conditions unless otherwise stated: VDD = +3.3 ± 0.3 VDC; TA = 0°C to 70°C; external load = 50 pF.

3.2 CX20493 LSD 28-Pin QFN Hardware Pins and Signals

3.2.1 CX20493 LSD 28-Pin QFN Signal Summary

3.2.1.1 CX84100 V.22bis Modem Interface (Through DIB)

The DIB interface, power, and ground signals are:

- Clock: CLK, pin 26; input
- Digital Power: PWR+, pin 7; unregulated input power
- Regulated Digital Voltage Supply: DVdd, pin 24
- Digital Ground: DGnd, pin 23; digital ground
- Regulated Analog Voltage Supply: AVdd, pin 2
- Analog Ground: AGnd, pin 6; analog ground
- Data Positive: DIB_P, pin 27; input/output
- Data Negative: DIB_N, pin 28; input/output

3.2.1.2 Telephone Line Interface

The telephone line interface signals are:

- RING 1 AC Coupled: RAC1, pin 21; input
- TIP 1 AC Coupled: TAC1, pin 20; input
- RING 2 AC Coupled: RAC2, pin 19; input
- TIP 2 AC Coupled: TAC2, pin 18; input
- TIP and RING DC Measurement: TRDC, pin 12; input
- Electronic Inductor Capacitor: EIC, pin 11
- Electronic Inductor Output: EIO, pin 17
- Electronic Inductor Feedback: EIF, pin 16
- Receive Analog Input: RXI, pin 9; input
- Transmit Output: TXO, pin 14; output
- Transmit Feedback: TXF, pin 13; input
- Virtual Impedance 0: VZ, pin 10; input
- Electronic Inductor Ground: DC_GND, pin 15

3.2.1.3 Voltage References

There are three reference voltage pins:

- Output Middle: Center Reference Voltage: Vc, pin 3; output for decoupling
- Output Reference Voltage: VRef, pin 4; output for decoupling
- Bias Resistor: RBias, pin 5; input

3.2.1.4 General Purpose Input/Output

There is one unassigned general purpose input/output pin:

- General Purpose Input/Output 1: GPIO1, pin 1; input/output

3.2.1.5 No Connects

Three pins are not used:

- No Connect 1: NC1, pin 8; no internal connection
- No Connect 2: NC2, pin 22; no internal connection
- No Connect 3: NC3, pin 25; no internal connection

3.2.2 CX20493 LSD 28-Pin QFN Pin Assignments and Signal Definitions

CX20493 LSD hardware interface signals are shown by major interface in Figure 3-3, are shown by pin number in Figure 3-4, and are listed by pin number in Table 3-5.

CX20493 LSD hardware interface signals are defined in Table 3-6.

Figure 3-3. CX20493 LSD 28-Pin QFN Hardware Interface Signals

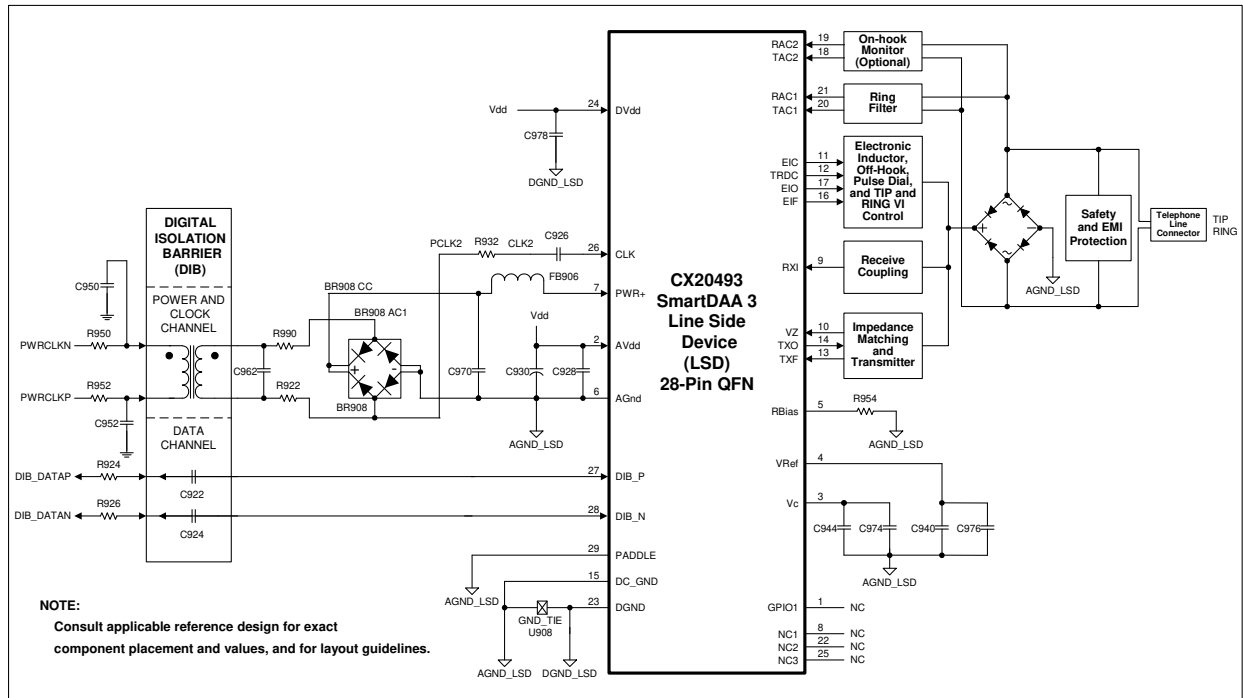
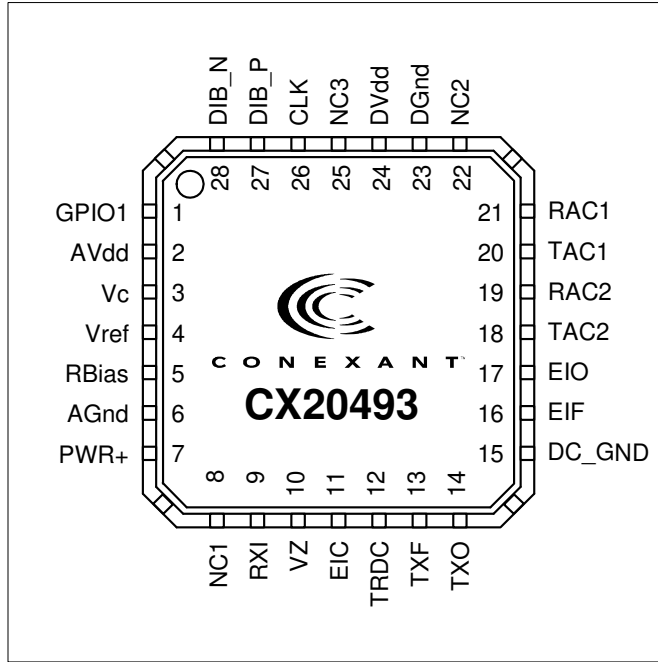


Figure 3-4. CX20493 LSD 28-Pin QFN Pin Signals



101701A_007

Table 3-5. CX20493 LSD 28-Pin QFN Pin Signals

Pin	Signal Label	Pin	Signal Label
1	GPIO1	15	DC_GND
2	AVdd	16	EIF
3	Vc	17	EIO
4	VRef	18	TAC2
5	RBias	19	RAC2
6	AGnd	20	TAC1
7	PWR+	21	RAC1
8	NC1	22	NC2
9	RXI	23	DGnd
10	VZ	24	DVdd
11	EIC	25	NC3
12	TRDC	26	CLK
13	TXF	27	DIB_P
14	TXO	28	DIB_N

Table 3-6. CX20493 LSD 28-Pin QFN Signal Definitions

Label	Pin	I/O	I/O Type	Signal Name/Description
System Signals				
AVdd	2	PWR	PWR	Regulated Power Output. Provides external power for LSD digital circuits and a connection point for external decoupling. (AVdd is routed internally to LSD analog circuits.) See PWR+ pin description. Connect to LSD DVdd pin and connect to AGND_LSD through C928 and C930 in parallel. C928 and C930 must be placed close to pins 2 and 6. C930 must have ESR < 2 Ω.
AGnd	6	AGND_LSD	AGND_LSD	Analog Ground. Connect to DIB transformer secondary winding undotted terminal through BR908, R990, and R922.
VRef	4	REF	REF	Output Reference Voltage. Connect to AGND_LSD through C940 and C976, which must be placed close to pin 4. Ensure a very close proximity between C940 and the VRef pin. C940 must have a maximum ESR of 2 Ω.
Vc	3	REF	REF	Output Middle Reference Voltage. Connect to AGND_LSD through C944 and C974, which must be placed close to pin 3. Ensure a very close proximity between C944 and the Vc pin. Use a short path and a wide trace to AGND_LSD pin.
PWR+	7	PWR	PWR	Unregulated Power Input. Provides unregulated input power to the LSD. PWR+ pin is an input which takes unregulated +3.2V to +4.5V from the DIB power supply made up of the transformer, full-wave rectifier, and filter capacitors. The PWR+ input is regulated by an internal linear regulator to +3.3V ± 5% which is routed to the AVdd pin. If PWR+ is less than +3.4V, then AVdd is equal to the unregulated PWR+ input value minus 150 mV. Connect to DIB transformer secondary winding dotted terminal through FB906, BR908, R990, and R922. Connect transformer side of FB906 to AGND_LSD through C970. Place FB906 and C970 close to pin 7 and pin 6 (AGnd).
DVdd	24	PWR	PWR	Digital Power Input. Input power for LSD digital circuits. Connect to LSD AVdd pin and connect to DGND_LSD through C978. Place C978 near pin 24.
DGnd	23	DGND_LSD	DGND_LSD	LSD Digital Ground. Connect to DGND_LSD, and to AGND_LSD at the DGND_LSD/AGND_LSD tie point (U908).
PADDLE	—	AGND_LSD	AGND_LSD	Paddle Ground. Referred to as pin 29 in schematics. Connect to AGND_LSD.
DIB Interface Signals				
CLK	26	I	I	Clock. Provides input clock, AC coupled to the LSD. Connect to DIB transformer secondary winding undotted terminal through C926 (closest to the CX20493), R932, then R922 in series. Connect the R932 and R922 node to LSD AGND pin through full-wave rectifier BR908. Place C926 near pin 26 and place R932 near C926.
DIB_P	27	I/O	I/O	Data and Control Positive. Connect to DIBDAT_P through R924 in series with C922. DIB_P and DIB_N signals are differential and half-duplex bidirectional.
DIB_N	28	I/O	I/O	Data and Control Negative. Connect to DIBDAT_N through R926 in series with C924. DIB_P and DIB_N signals are differential and half-duplex bidirectional.

Table 3-6. CX20493 LSD 28-Pin QFN Signal Definitions (Continued)

Label	Pin	I/O	I/O Type	Signal Name/Description
TIP and RING Interface				
RAC1 TAC1	21 20	I I	la la	RING1 AC Coupled and TIP1 AC Coupled. AC-coupled voltage from telephone line used to detect ring. Connect RAC1 to the diode bridge AC node (RING) through R902 (connects to pin 21) and C902 in series. Connect TAC1 to the diode bridge AC node (TIP) through R904 (connects to pin 20) and C904 in series.
RAC2 TAC2	19 18	I I	la la	RING2 AC Coupled and TIP2 AC Coupled. AC-coupled voltage from telephone line used to optionally detect signal while on-hook. Connect RAC2 to the diode bridge AC node (RING) through R948 (connects to pin 19) and C948. Leave open if not used. Connect TAC2 to the diode bridge AC node (TIP) through R946 (connects to pin 21) and C946. Leave open if not used.
EIC	11	O	Oa	Electronic Inductor Capacitor Switch. Internally switched to TRDC when pulse dialing. Connect to AGND_LSD through C958.
TRDC	12	I	la	TIP and RING DC Measurement. Input on-hook voltage (from a resistive divider). Used internally to extract TIP and RING DC voltage and Line Polarity Reversal (LPR) information. R906 and C918 must be placed very close to pin 12.
EIO	17	O	Oa	Electronic Inductor Output. Calculated voltage is applied to this output to control off-hook and DC VI mask operation. Connect to base of Q902.
DC_GND	15	GND	AGND_LSD	LSD Electronic Inductor Ground. Connect to AGND_LSD and to the GND_LSD/AGND_LSD tie point (U908).
EIF	16	I	la	Electronic Inductor Feedback. Connect to emitter of Q904 through R968.
RXI	9	I	la	Receive Analog Input. Receiver operational amplifier inverting input. AC coupled to the Bridge CC node through R910 (connects to pin 9) and C912 in series. R910 and C912 must be placed very close to pin 9. The length of the PCB trace connecting R910 to the RXI pin must be kept at an absolute minimum.
RBias	5	I	la	Receiver Bias. Connect to AGND_LSD through R954, which must be placed close to pin 5.
VZ	10	I	la	Virtual Impedance. Input signal used to provide line complex impedance matching for worldwide countries. AC coupled to Bridge CC node through R908 (connects to pin 10) and C910 in series. R908 and C910 must be placed very close to pin 10. The length of the PCB trace connecting R908 to the VZ pin must be kept at an absolute minimum.
TXO	14	O	Oa	Transmit Output. Outputs transmit signal and impedance matching signal; connect to base of transmitter transistor Q906.
TXF	13	I	la	Transmit Feedback. Connect to emitter of transmitter transistor Q906.
Not Used				
GPIO1	1	I/O	It/Ot12	General Purpose I/O 1. Leave open if not used.
NC1	8			No Connect. No internal connection. Leave open.
NC2	22			No Connect. No internal connection. Leave open.
NC3	25			No Connect. No internal connection. Leave open.
Notes:				
1. I/O types*:				
la Analog input				
It Digital input*				
Oa Analog output				
Ot12 Digital output*				
AGND_LSD Isolated LSD Analog Ground (isolated from the host system ground)				
GND_LSD Isolated LSD Digital Ground (isolated from the host system ground)				
*See CX20493 LSD GPIO DC Electrical Characteristics (Table 3-9).				
2. Refer to applicable reference design for exact component placement and values.				

3.3 CX20493 LSD 32-Pin LQFP Hardware Pins and Signals

3.3.1 CX20493 LSD 32-Pin LQFP Signal Summary

3.3.1.1 CX84100 Interface (Through DIB)

The DIB interface, power, and ground signals are:

- Clock (CLK, pin 29); input
- Digital Power (PWR+, pin 8); unregulated input power
- Regulated Digital Voltage Supply (DVdd, pin 28)
- Digital Ground (DGnd, pin 26 and pin 27); digital ground
- Regulated Analog Voltage Supply (AVdd, pin 2 and pin 3)
- Analog Ground (AGnd, pin 7); analog ground
- Data Positive (DIB_P, pin 30); input/output
- Data Negative (DIB_N, pin 31); input/output

3.3.1.2 Telephone Line Interface

The telephone line interface signals are:

- RING 1 AC Coupled (RAC1, pin 24); input
- TIP 1 AC Coupled (TAC1, pin 23); input
- RING 2 AC Coupled (RAC2, pin 22); input
- TIP 2 AC Coupled (TAC2, pin 21); input
- TIP and RING DC Measurement (TRDC, pin 13); input
- Electronic Inductor Capacitor (EIC, pin 12)
- Electronic Inductor Output (EIO, pin 20)
- Electronic Inductor Feedback (EIF, pin 19)
- Receive Analog Input (RXI, pin 10); input
- Transmit Output (TXO, pin 15); output
- Transmit Feedback (TXF, pin 14); input
- Virtual Impedance 0 (VZ, pin 11); input
- Electronic Inductor Ground (DC_GND, pins 1, 9, 16, 18, and 25)

3.3.1.3 Voltage References

There are three reference voltage pins:

- Output Middle (Center) Reference Voltage (Vc, pin 4); output for decoupling
- Output Reference Voltage (VRef, pin 5); output for decoupling
- Bias Resistor (RBias, pin 6); input

3.3.1.4 General Purpose Input/Output

There is one unassigned general purpose input/output pin:

- General Purpose Input/Output 1 (GPIO1, pin 32); input/output

3.3.1.5 No Connects

There is one No Connect pin:

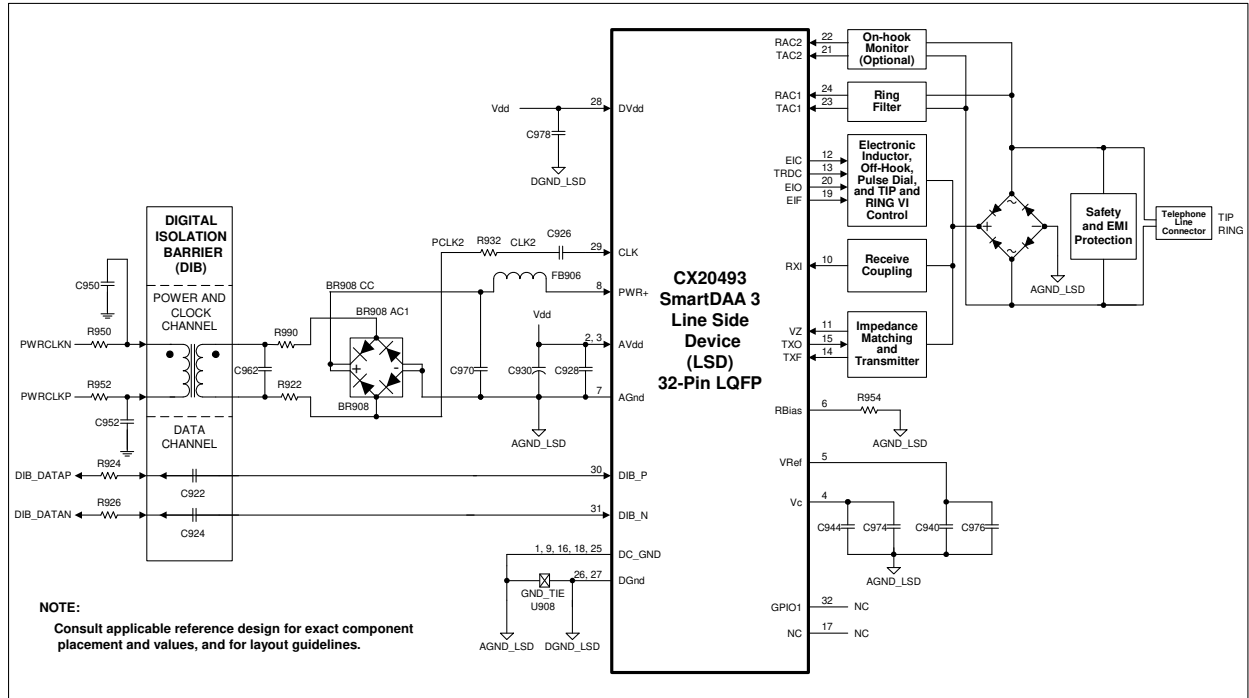
- No Connect (NC, pin 17); no internal connection

3.3.2 CX20493 LSD 32-Pin LQFP Pin Assignments and Signal Definitions

CX20493 LSD hardware interface signals are shown by major interface in Figure 3-5, are shown by pin number in Figure 3-6, and are listed by pin number in Table 3-7.

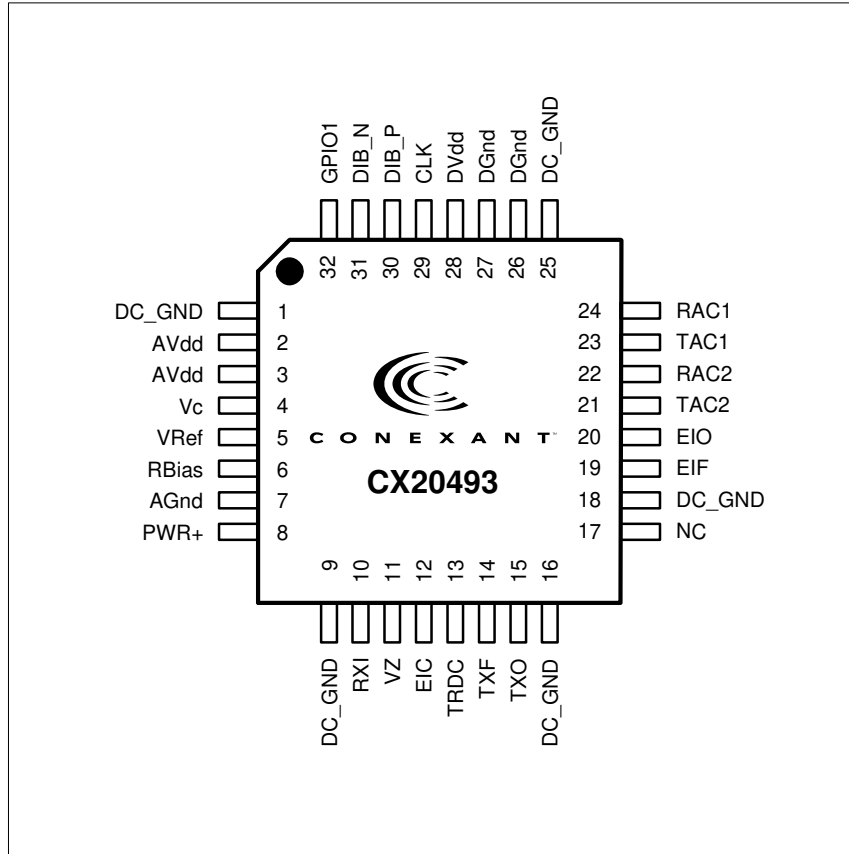
CX20493 LSD hardware interface signals are defined in Table 3-8.

Figure 3-5. CX20493 LSD 32-Pin LQFP Hardware Interface Signals



102247_007

Figure 3-6. CX20493 LSD 32-Pin LQFP Pin Signals



102247_008

Table 3-7. CX20493 LSD 32-Pin LQFP Pin Signals

Pin	Signal Label	Pin	Signal Label
1	DC_GND	17	NC
2	AVdd	18	DC_GND
3	AVdd	19	EIF
4	Vc	20	EIO
5	VRef	21	TAC2
6	RBias	22	RAC2
7	AGnd	23	TAC1
8	PWR+	24	RAC1
9	DC_GND	25	DC_GND
10	RXI	26	DGnd
11	VZ	27	DGnd
12	EIC	28	DVdd
13	TRDC	29	CLK
14	TXF	30	DIB_P
15	TXO	31	DIB_N
16	DC_GND	32	GPIO1

Table 3-8. CX20493 LSD 32-Pin LQFP Pin Signal Definitions

Label	Pin	I/O	I/O Type	Signal Name/Description
System Signals				
AVdd	2, 3	PWR	PWR	Regulated Power Output. Provides external power for LSD digital circuits and a connection point for external decoupling. (AVdd is routed internally to LSD analog circuits.) See PWR+ pin description. Connect to LSD DVdd pin and connect to AGND_LSD through C928 and C930 in parallel. C928 and C930 must be placed close to pin 3 (AVdd) and pin 7 (AGnd). C930 must have ESR < 2 Ω .
AGnd	7	AGND_LSD	AGND_LSD	Analog Ground. Connect to minus (-) terminal of full wave rectifier (FWR). Connect FWR BR980 terminal to DIB transformer secondary winding undotted terminal through R922.
VRef	5	REF	REF	Output Reference Voltage. Connect to AGND_LSD through C940 and C976, which must be placed close to pin 5 (VRef). Ensure a very close proximity between C940 and pin 5. C940 must have a maximum ESR of 2 Ω .
Vc	4	REF	REF	Output Middle Reference Voltage. Connect to AGND_LSD through C944 and C974, which must be placed close to pin 4 (Vc). Ensure a very close proximity between C944 and pin 4. Use a short path and a wide trace to AGND_LSD pin.
PWR+	8	PWR	PWR	Unregulated Power Input. Provides unregulated input power to the LSD. PWR+ pin is an input which takes unregulated +3.2V to +4.5V from the DIB power supply made up of the transformer, full-wave rectifier, and filter capacitors. The PWR+ input is regulated by an internal linear regulator to +3.3V \pm 5% which is routed to the AVdd pin. If PWR+ is less than +3.4V, then AVdd is equal to the unregulated PWR+ input value minus 150 mV (Table 3-10). Connect to plus (+) terminal of FWR. Connect terminal BR908 AC1 to DIB transformer secondary winding dotted terminal through R990. Connect transformer side of FB906 to AGND_LSD through C970. Place FB906 and C970 close to pin 8 (PWR+) and pin 7 (AGnd).
DVdd	28	PWR	PWR	Digital Power Input. Input power for LSD digital circuits. Connect to LSD AVdd pin and connect to DGND_LSD through C978. Place C978 near pin 27 (DVdd).
DGnd	26, 27	DGND_LSD	DGND_LSD	LSD Digital Ground. Connect to DGND_LSD, and to AGND_LSD at the DGND_LSD/AGND_LSD tie point (U908).
DIB Interface Signals				
CLK	29	I	I	Clock. Provides input clock, AC coupled to the LSD. Connect to DIB transformer secondary winding undotted terminal through C926 (closest to the CX20493), R932, then R922 in series. Connect the R932 and R922 node to LSD AGND pin through full-wave rectifier BR908. Place C926 near pin 29 (CLK) and place R932 near C926.
DIB_P	30	I/O	I/O	Data and Control Positive. Connect to DIBDAT_P through R924 in series with C922. DIB_P and DIB_N signals are differential and half-duplex bidirectional.
DIB_N	31	I/O	I/O	Data and Control Negative. Connect to DIBDAT_N through R926 in series with C924. DIB_P and DIB_N signals are differential and half-duplex bidirectional.

Table 3-8. CX20493 LSD Pin Signal Definitions (Continued)

Label	Pin	I/O	I/O Type	Signal Name/Description
TIP and RING Interface				
RAC1 TAC1	24 23	I I	la la	RING1 AC Coupled and TIP1 AC Coupled. AC-coupled voltage from telephone line used to detect ring. Connect RAC1 to the diode bridge AC node (RING) through R902 (connects to pin 24) and C902 in series. Connect TAC1 to the diode bridge AC node (TIP) through R904 (connects to pin 23) and C904 in series.
RAC2 TAC2	22 21	I I	la la	RING2 AC Coupled and TIP2 AC Coupled. AC-coupled voltage from telephone line used to optionally detect signal while on-hook. Connect RAC2 to the diode bridge AC node (RING) through R948 (connects to pin 22) and C948. Leave open if not used. Connect TAC2 to the diode bridge AC node (TIP) through R946 (connects to pin 21) and C946. Leave open if not used.
EIC	12	O	Oa	Electronic Inductor Capacitor Switch. Internally switched to TRDC when pulse dialing. Connect to AGND_LSD through C958.
TRDC	13	I	la	TIP and RING DC Measurement. Input on-hook voltage (from a resistive divider). Used internally to extract TIP and RING DC voltage and Line Polarity Reversal (LPR) information. R906 and C918 must be placed very close to pin 13 (TRDC).
EIO	20	O	Oa	Electronic Inductor Output. Calculated voltage is applied to this output to control off-hook and DC VI mask operation. Connect to base of Q902.
DC_GND	1, 9, 16, 18, 25	GND	AGND_LSD	LSD Electronic Inductor Ground. Connect to AGND_LSD and to the GND_LSD/AGND_LSD tie point (U908).
EIF	19	I	la	Electronic Inductor Feedback. Connect to emitter of Q904 through R968.
RXI	10	I	la	Receive Analog Input. Receiver operational amplifier inverting input. AC coupled to the Bridge CC node through R910 (connects to pin 10) and C912 in series. R910 and C912 must be placed very close to pin 10. The length of the PCB trace connecting R910 to the RXI pin must be kept at an absolute minimum.
RBias	6	I	la	Receiver Bias. Connect to AGND_LSD through R954, which must be placed close to pin 6.
VZ	11	I	la	Virtual Impedance. Input signal used to provide line complex impedance matching for worldwide countries. AC coupled to Bridge CC node through R908 (connects to pin 11) and C910 in series. R908 and C910 must be placed very close to pin 11. The length of the PCB trace connecting R908 to the VZ pin must be kept at an absolute minimum.
TXO	15	O	Oa	Transmit Output. Outputs transmit signal and impedance matching signal; connect to base of transmitter transistor Q906.
TXF	14	I	la	Transmit Feedback. Connect to emitter of transmitter transistor Q906.
Not Used				
GPIO1	32	I/O	It/Ot12	General Purpose I/O 1. Leave open if not used.
NC	17			No Connect. No internal connection. Leave open.
Notes:				
1. I/O types*:				
la Analog input				
It Digital input, TTL-compatible				
Oa Analog output				
Ot12 Digital output, TTL-compatible, 12 mA, $Z_{INTERNAL} = 32 \Omega$				
AGND_LSD Isolated LSD Analog Ground				
GND_LSD Isolated LSD Digital Ground				
*See CX20493 LSD GPIO DC Electrical Characteristics (Table 3-9).				
2. Refer to applicable reference design for exact component placement and values.				

3.4 CX20493 LSD GPIO DC Electrical Characteristics

CX20493 LSD GPIO DC electrical characteristics are specified in Table 3-9.

CX20493 LSD AVdd DC electrical characteristics are listed in Table 3-10.

Table 3-9. CX20493 LSD GPIO DC Electrical Characteristics

Parameter	Symbol	Min.	Typ.	Max.	Units	Test Conditions
Input Voltage	V_{IN}	-0.30	–	3.465	V	DVdd = +3.465 V
Input Voltage Low	V_{IL}	–	–	1.0	V	
Input Voltage High	V_{IH}	1.6	–	–	V	
Output Voltage Low	V_{OL}	0	–	0.33	V	
Output Voltage High	V_{OH}	2.97	–	–	V	
Input Leakage Current	–	-10	–	10	μ A	
Output Leakage Current (High Impedance)	–	-10	–	10	μ A	
GPIO Output Sink Current at 0.33 V maximum	–	2.4	–	–	mA	
GPIO Output Source Current at 2.97 V minimum	–	2.4	–	–	mA	
GPIO Rise Time/Fall Time		20		100	ns	
Test Conditions unless otherwise stated: DVdd = +3.3 V +5%; TA = 0°C to 70°C; external load = 50 pF						

Table 3-10. CX20493 LSD AVdd DC Electrical Characteristics

PWR+ Input	AVdd Output
+3.4 V < PWR+ < +4.5 V	+3.3 V \pm 5%
+3.2 V < PWR+ < +3.39 V	3.05 V < AVdd < 3.24 V
See PWR+, AVdd, and DVdd descriptions in Table 3-6.	

3.5 Electrical and Environmental Specifications

3.5.1 Operating Conditions, Absolute Maximum Ratings, and Power Requirements

The operating conditions are specified in Table 3-11.

The absolute maximum ratings are listed in Table 3-12.

The current and power requirements are listed in Table 3-13.

Table 3-11. Operating Conditions

Parameter	Symbol	Limits	Units
Supply Voltage	VDD	+3.0 to +3.6	VDC
Operating Ambient Temperature	T _A	0 to +70	°C

Table 3-12. Absolute Maximum Ratings

Parameter	Symbol	Limits	Units
Supply Voltage	VDD	-0.5 to +4.0	VDC
Input Voltage	V _{IN}	-0.5 to (VGG + 0.5)*	VDC
Storage Temperature Range	T _{STG}	-55 to +125	°C
Analog Inputs	V _{IN}	-0.3 to (VAA + 0.5)	VDC
Voltage Applied to Outputs in High Impedance (Off) State	V _{HZ}	-0.5 to (VGG + 0.5)*	VDC
DC Input Clamp Current	I _{IK}	±20	mA
DC Output Clamp Current	I _{OK}	±20	mA
Static Discharge Voltage (25°C)	V _{ESD}	±2500	VDC
Latch-up Current (25°C)	I _{TRIG}	±400	mA
* VGG = +3.3 V ± 0.3V or +5 V ± 5%.			

Handling CMOS Devices

The device contains circuitry to protect the inputs against damage due to high static voltages. However, it is advised that normal precautions be taken to avoid application of any voltage higher than maximum rated voltage.

An unterminated input can acquire unpredictable voltages through coupling with stray capacitance and internal cross talk. Both power dissipation and device noise immunity degrades. Therefore, all inputs should be connected to an appropriate supply voltage.

Input signals should never exceed the voltage range from -0.5 V to VGG + 0.5 V. This prevents forward biasing the input protection diodes and possibly entering a latch up mode due to high current transients.

Table 3-13. Current and Power Requirements

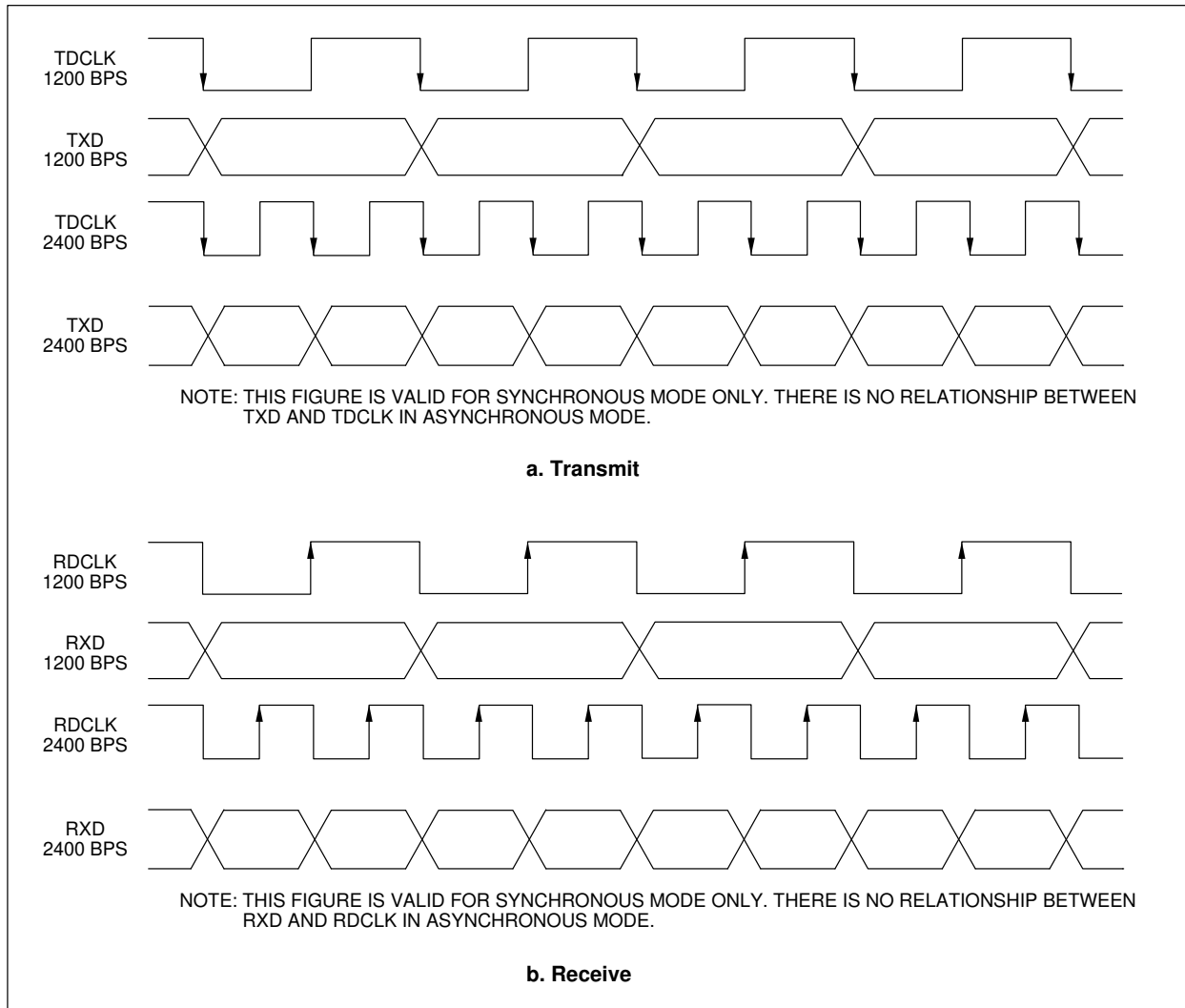
Mode	Typical Current (I _{typ}) (mA)	Maximum Current (I _{max}) (mA)	Typical Power (P _{typ}) (mW)	Maximum Power (P _{max}) (mW)	Notes
Normal Mode: Off-hook, normal data connection	54	58	178	209	f=28.224 MHz
Normal Mode: On-hook, idle, waiting for ring	53	57	175	205	f=28.224 MHz
Low-Power Mode: Idle mode	14	16	47	55	f=0 MHz
Low-Power Mode: Sleep mode	12	12	40	43	f=0 MHz
Low-Power Mode: Stop mode	5	6	16	19	f=0 MHz
Notes: <ol style="list-style-type: none"> Operating voltage: VDD = +3.3 V ± 0.3V. Test conditions: VDD = +3.3 V for typical values; VDD = +3.6 V for maximum values. Input Ripple ≤ 0.1 V_{peak-peak}. f = Internal frequency. Typical power (P_{typ}) computed from I_{typ}: P_{typ} = I_{typ} * 3.3 V; Maximum power (P_{max}) computed from I_{max}: P_{max} = I_{max} * 3.6 V. 					

3.6 Interface Timing and Waveforms

3.6.1.1 Serial DTE Interface

The serial DTE interface waveforms for 1200 and 2400 bps are illustrated in Figure 3-7.

Figure 3-7. Waveforms - Serial DTE Interface



102187_005

3.7 Crystal Specifications

Crystal specifications are listed in Table 3-14.

Table 3-14. Crystal Specifications

Characteristic	Value
Frequency	28.224 MHz nominal
Calibration Tolerance	±50 ppm at 25°C ($C_L = 16.5$ and 19.5 pF)
Frequency Stability vs. Temperature	±35 ppm (0°C to 70°C)
Frequency Stability vs. Aging	±20 ppm/5 years
Oscillation Mode	Fundamental
Calibration Mode	Parallel resonant
Load Capacitance, C_L	18 pF nom.
Shunt Capacitance, C_O	7 pF max.
Series Resistance, R_1	35-60 Ω max. @20 nW drive level
Drive Level	100 μ W correlation; 500 μ W max.
Operating Temperature	0°C to 70°C
Storage Temperature	-40°C to 85°C

This page is intentionally blank.

4. Package Dimensions

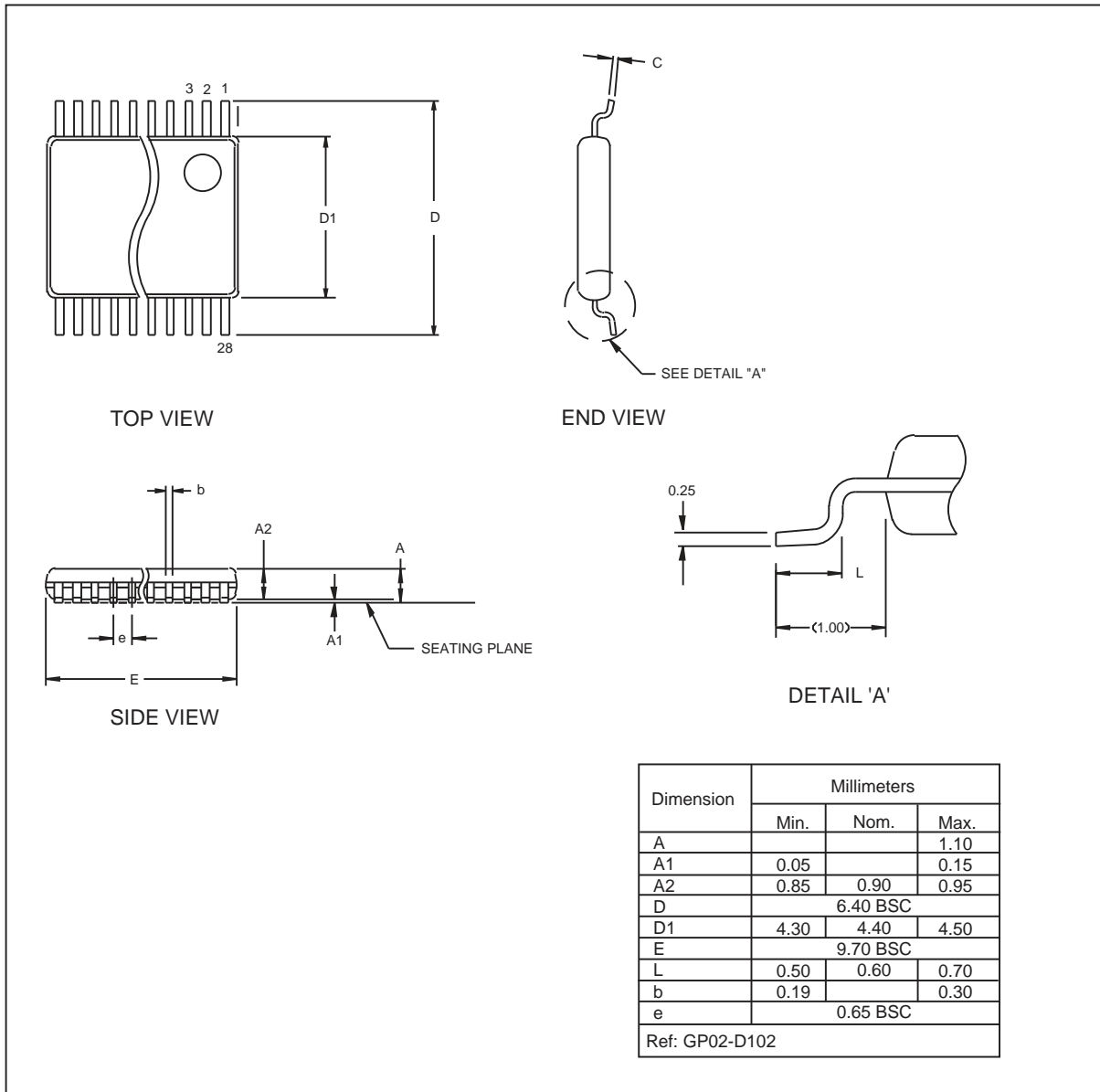
The 28-pin TSSOP package dimensions are shown in Figure 4-1.

The 28-pin QFN Punch-Style package dimensions are shown in Figure 4-2.

The 28-pin QFN Sawn-Style package dimensions are shown in Figure 4-3.

The 32-pin LQFP package dimensions are shown in 4-4.

Figure 4-1. Package Dimensions - 28-Pin TSSOP



PD_GP02_D102

The 28-QFN package comes in either punch- or sawn-style. Both are electrically equivalent and share the same footprint. The punch-style package is shown in Figure 4-2, and the sawn-style package is shown in Figure 4-3. Package dimensions for both styles are listed in Table 4-1

Figure 4-2. Package Dimensions - 28-Pin QFN: Punch Style

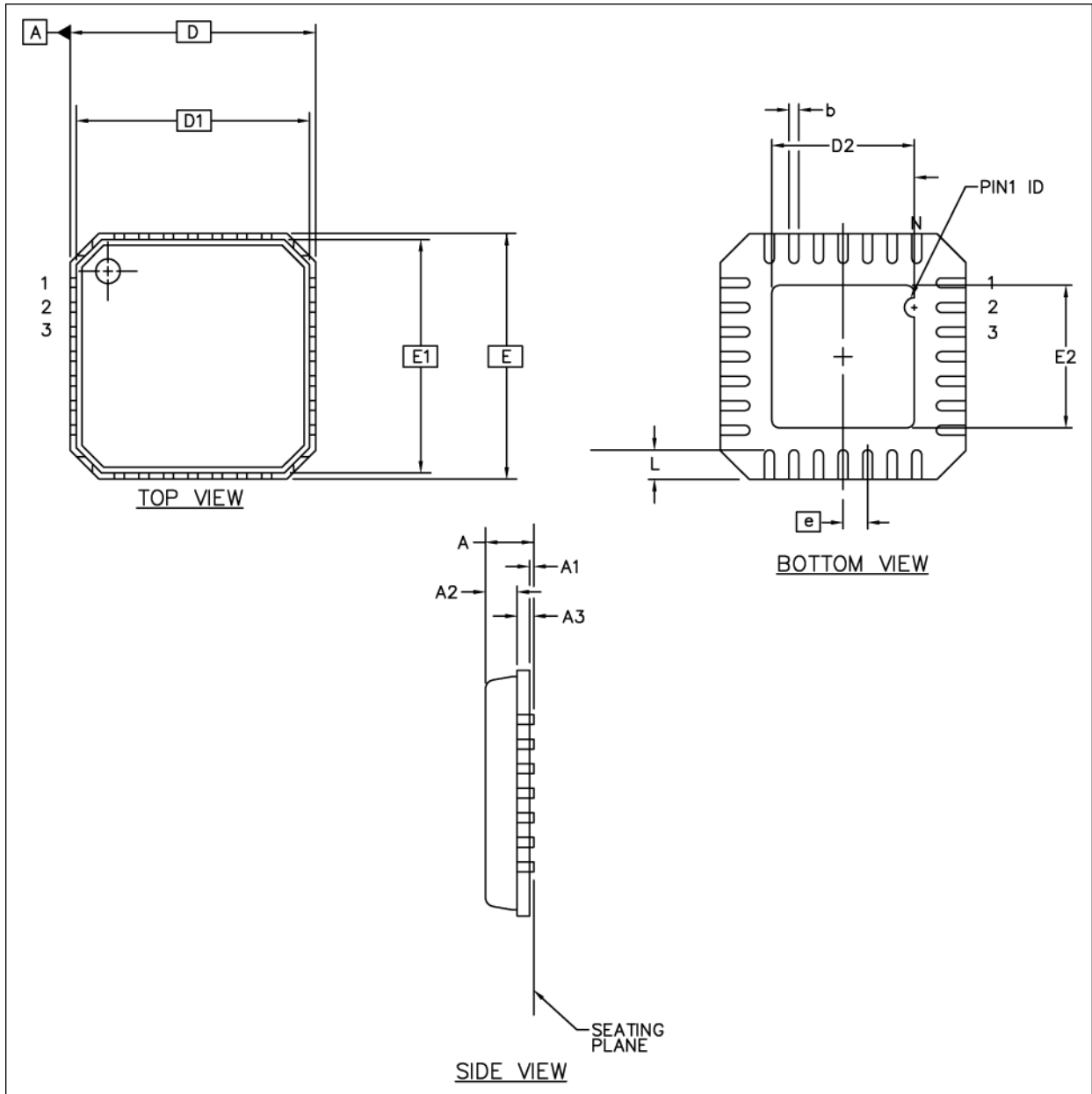


Figure 4-3. Package Dimensions – 28-Pin QFN: Sawn Style

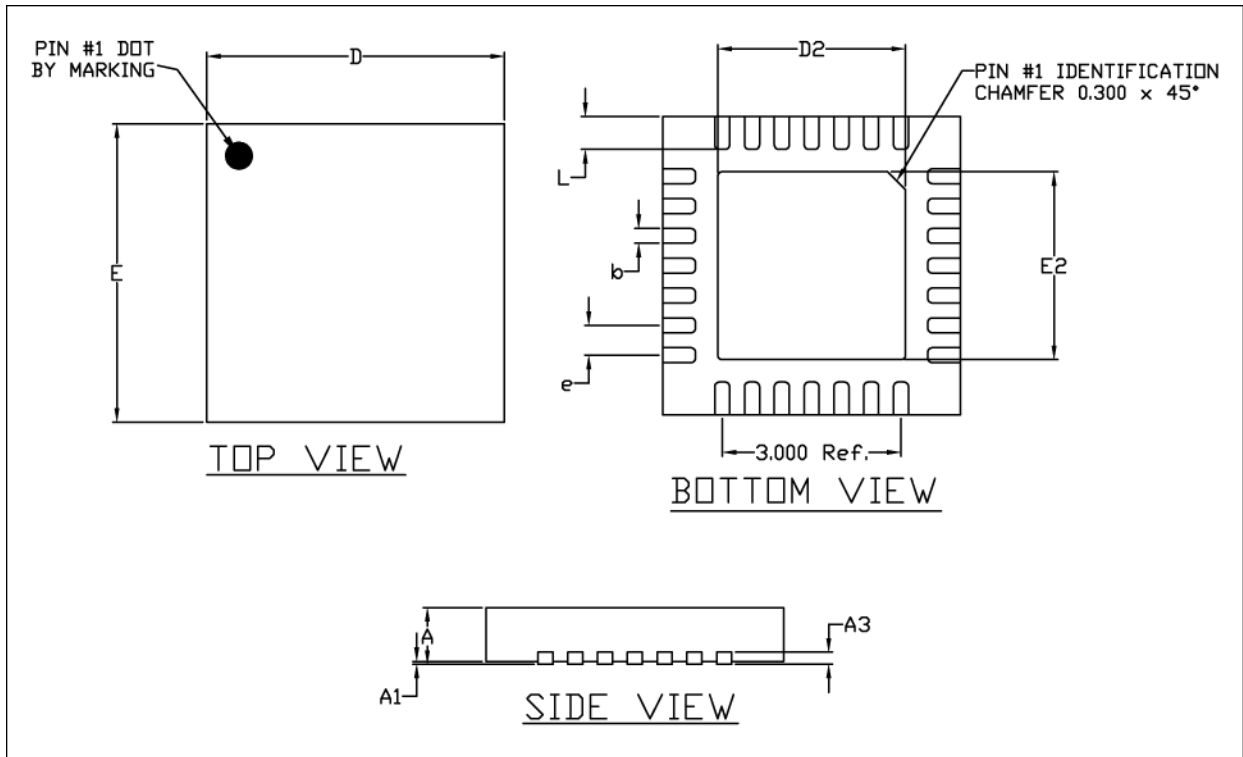
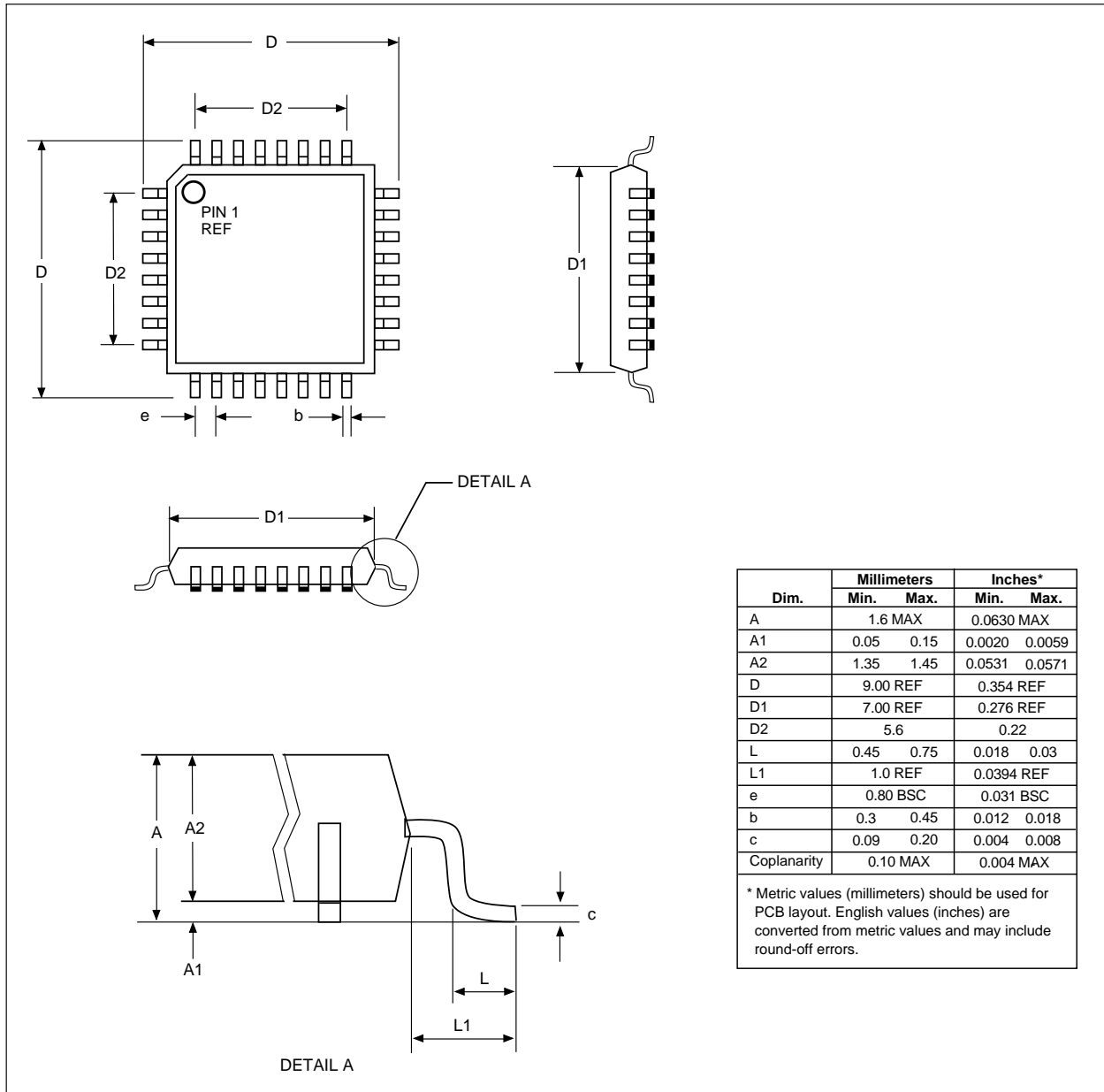


Table 4-1: Package Dimensions: Punch Style and Sawn Style

Symbol	Dimensions (Millimeters)			Note
	Min.	Nom.	Max.	
e	0.5 BSC			
L	0.45		0.75	
b	0.16		0.3	
D2	2.95	3.10	3.25	
E2	2.95	3.10	3.25	
A	0.8		1.00	
A1	0.00		0.05	
A3	0.20 REF.			
D	5.00 BSC			
D1	4.75 BSC			1
E	5.00 BSC			
E1	4.75 BSC			1
Note 1: This dimension is applied only for Punched QFN.				

Figure 4-4. Package Dimensions - 32-Pin LQFP



PD-LQFP-32

This page is intentionally blank.

NOTES

www.conexant.com
General Information:
U.S. and Canada: (888) 855-4562
International: (949) 483-4600
Headquarters – Newport Beach
4000 MacArthur Blvd.
Newport Beach, CA 92660

