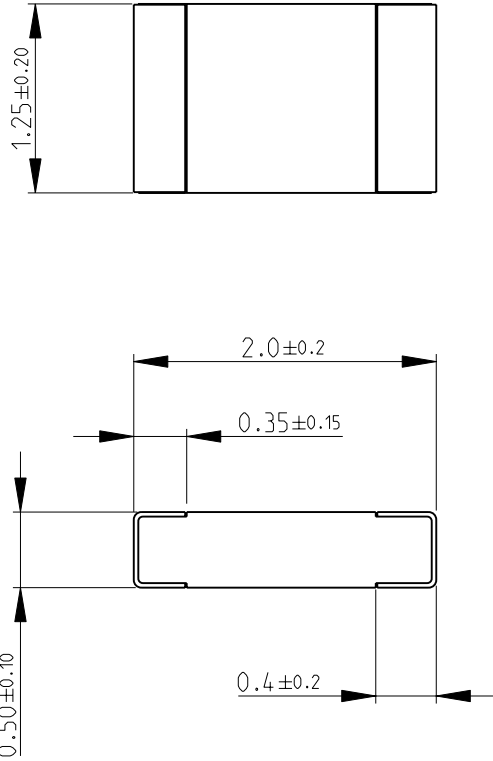
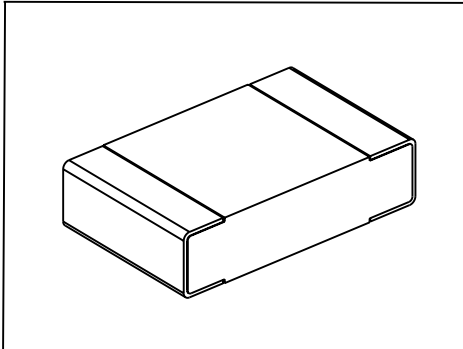


LOC	DIST	REVISIONS					
E	B	P	LTR	DESCRIPTION	DATE	DWN	APVD
			BA	NEW RELEASE	06-OCT-09	MRS	St.P

FOR FURTHER INFORMATION SEE DATA SHEET FOR
LT73 SERIES- TEMPERATURE SENSING CHIP RESISTOR(P.T.C THERMISTOR)



RoHS Compliant



2009

RELEASED FOR PUBLICATION

THIS DRAWING IS UNPUBLISHED.

BY TYCO ELECTRONICS CORPORATION. ALL RIGHTS RESERVED.
COPYRIGHT 2009

DIMENSIONS: mm	DWN	MAHARUDRA	06-OCT-09	MATERIAL	-	FINISH	-
	CHK	ALLAN.P	06-OCT-09	Tyco Electronics Corporation Dorcan, Swindon, SN3 5HH			
TOLERANCES UNLESS OTHERWISE SPECIFIED:	APVD	STEPHEN.P	06-OCT-09				
0 PLC ±0.2	PRODUCT SPEC	-	NAME	TEMPERATURE SENSING CHIP RESISTOR (P.T.C THERMISTOR) SERIES LT73			
1 PLC ±0.1	APPLICATION SPEC	-	SIZE	CAGE CODE	DRAWING NO	RESTRICTED TO	
2 PLC ±-	WEIGHT	-	A 4	00779	©- 1624340	-	
3 PLC ±-							
4 PLC ±-							
ANGLES ±5°							
	CUSTOMER DRAWING			SCALE	20:1	SHEET	1 OF 1
						REV	BA