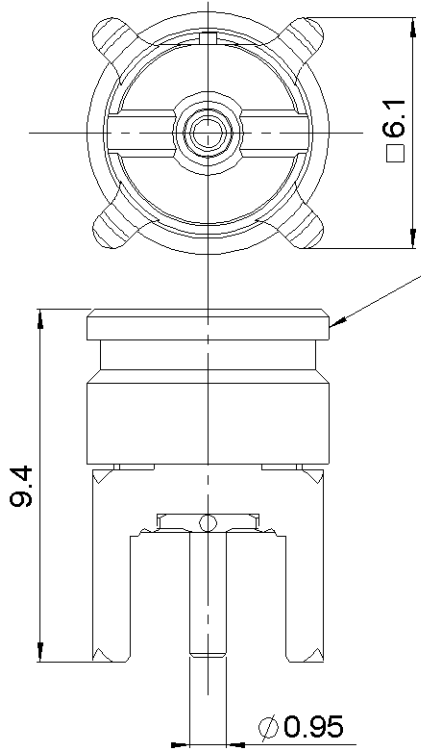


STRAIGHT JACK RECEPTACLE FOR PCB

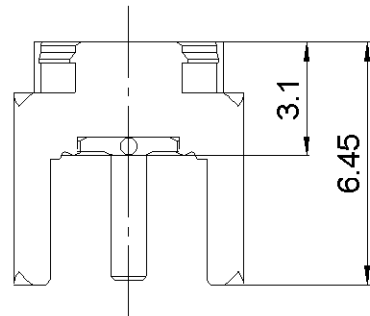
R223.425.800

SOLDER LEGS - REEL OF 500

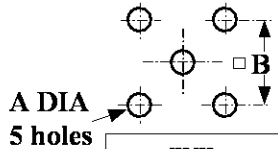
Series : MMBX



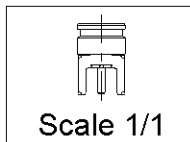
Seulement pour conditionnement en bobine.
For tape and reel packaging only.



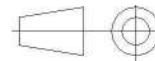
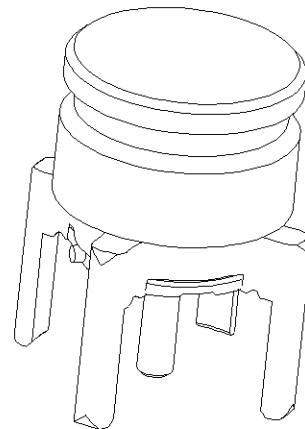
PANEL CUT OUT



	mm	
	Maxi	mini
A	1.4	1.2
B	5.16	5



All dimensions are in mm.



COMPONENTS	MATERIALS	PLATING (µm)
BODY	BRASS	NPGR
CENTER CONTACT	BRASS	NPGR
OUTER CONTACT	-	-
INSULATOR	LIQUID CRYSTAL POLYMER	
GASKET		
OTHERS PARTS	PTFE	
-	-	-
-	-	-

Issue : 0939 C

In the effort to improve our products, we reserve the right to make changes judged to be necessary.



STRAIGHT JACK RECEPTACLE FOR PCB

R223.425.800

SOLDER LEGS - REEL OF 500

Series : MMBX

PACKAGING

SPECIFICATION

Standard	Unit	Other
500	'W' option	Contact us

ELECTRICAL CHARACTERISTICS

ENVIRONMENTAL

Impedance	50	Ω
Frequency	0-12.4	GHz
VSWR	1.065* + 0.0000	x F(GHz) Maxi
Insertion loss	0.12	\sqrt{F} (GHz) dB Maxi
RF leakage	- (100**)	- F(GHz)) dB Maxi
Voltage rating	330	Veff Maxi
Dielectric withstanding voltage	1000	Veff mini
Insulation resistance	1000	M Ω mini

Operating temperature	-55/+155	$^{\circ}$ C
Hermetic seal	NA	Atm.cm3/s
Panel leakage	NA	

OTHER CHARACTERISTICS

Assembly instruction **NA**

Others :

*to 6 GHz

**Interface MMBX only up to 2.5 GHz

PCB to PCB -45 dB up to 2.5 GHz

Mated pair height 6.7mm

MECHANICAL CHARACTERISTICS

Center contact retention		
Axial force – Mating end	10	N mini
Axial force – Opposite end	10	N mini
Torque	NA	N.cm mini
Recommended torque		
Mating	NA	N.cm
Panel nut	NA	N.cm
Mating life	100	Cycles mini
Weight	0.4000	g

Issue : 0939 C

In the effort to improve our products, we reserve the right to make changes judged to be necessary.

RADIALL 

STRAIGHT JACK RECEPTACLE FOR PCB

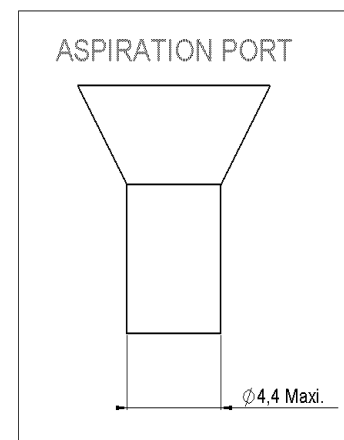
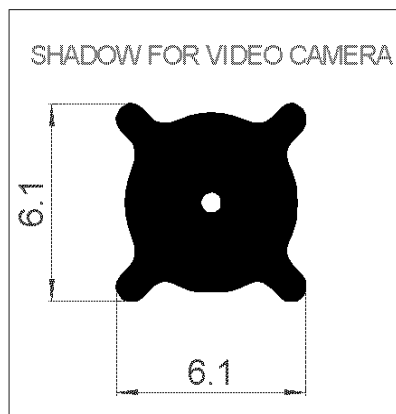
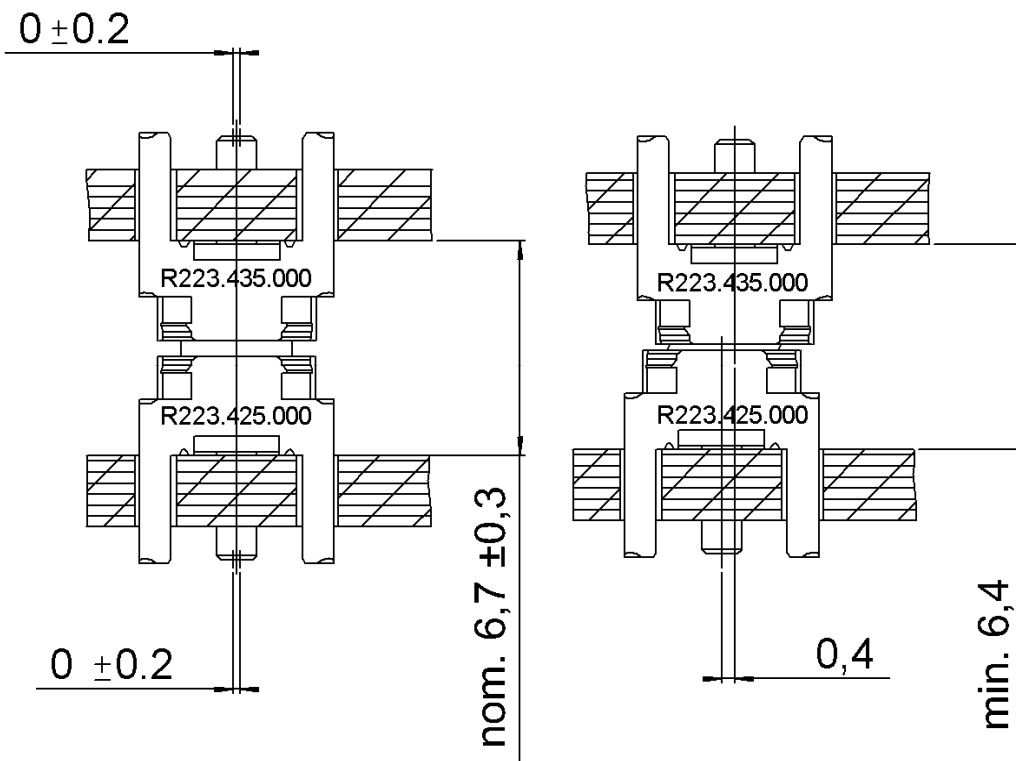
R223.425.800

SOLDER LEGS - REEL OF 500

Series : MMBX

MMBX SERIES INFORMATIONS

PCB



Issue : 0939 C

In the effort to improve our products, we reserve the right to make changes judged to be necessary.

STRAIGHT JACK RECEPTACLE FOR PCB

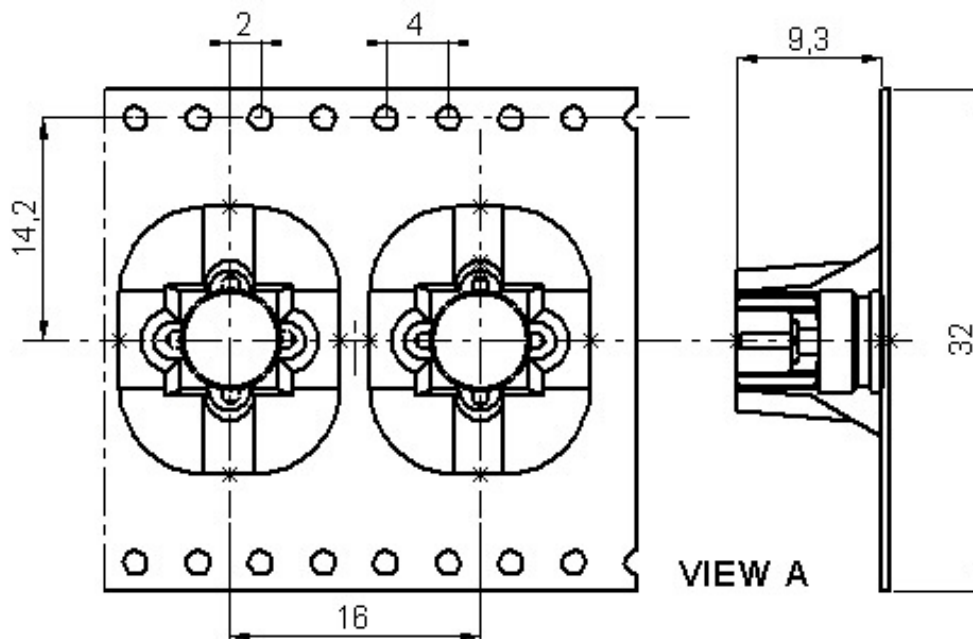
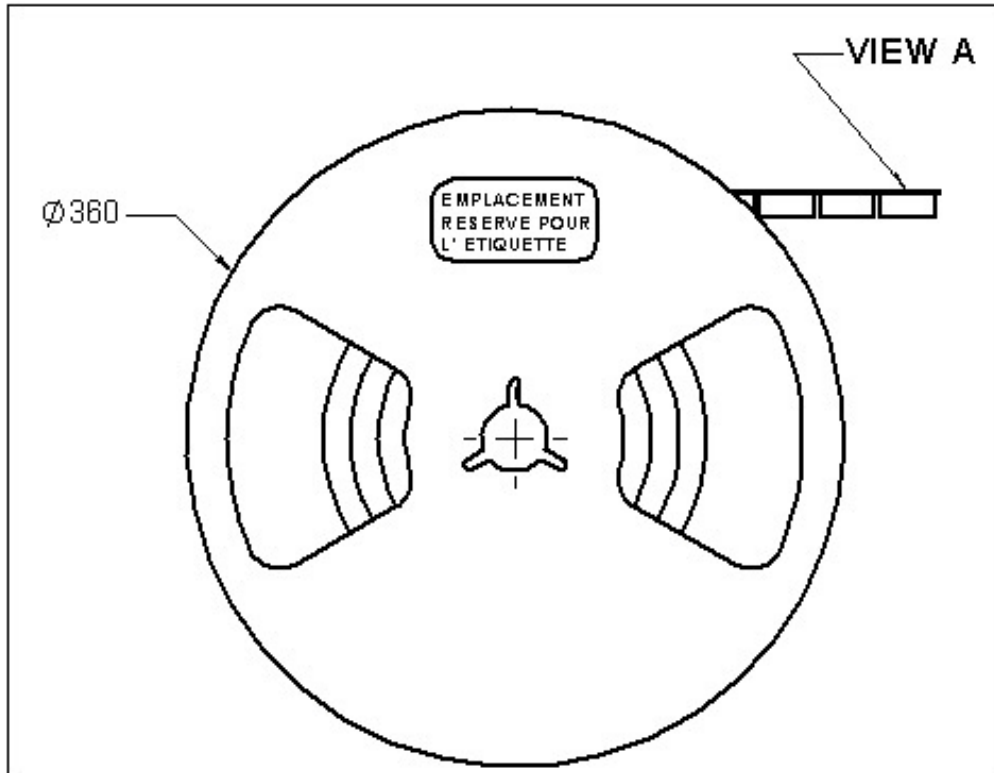
R223.425.800

SOLDER LEGS - REEL OF 500

Series : MMBX

MMBX SERIES INFORMATIONS

PCB



Issue : 0939 C

In the effort to improve our products, we reserve the right to make changes judged to be necessary.