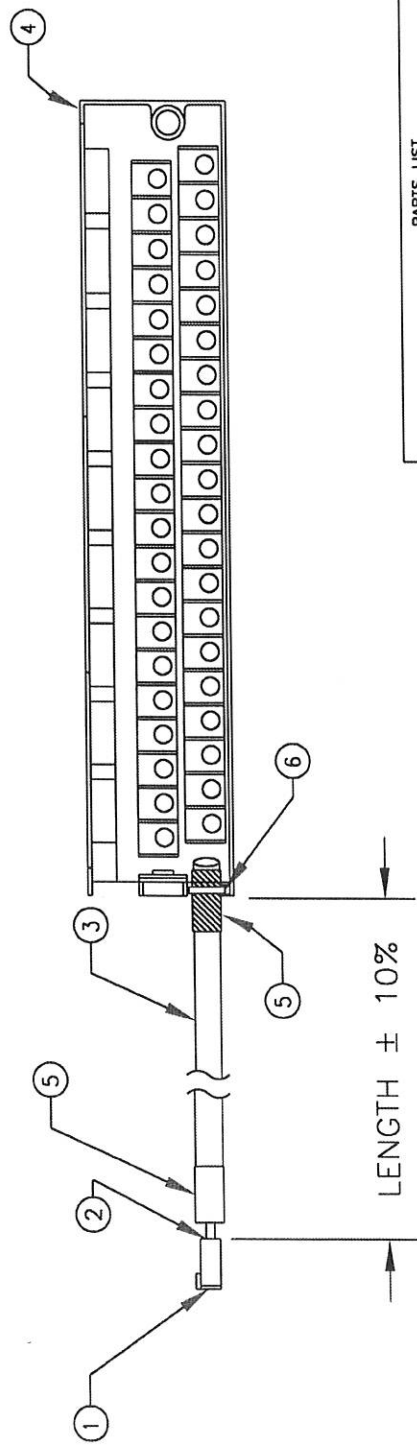
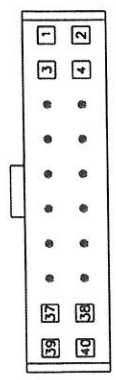


| REV. DESCRIPTION | | DATE | CMPLT. BY | APPRV. |
|------------------|--|------|-----------|--------|
| REV. | | | | |

GE TERMINAL BLOCK
PIN NUMBERS

| | |
|----|----|
| 2 | 1 |
| 4 | 3 |
| 6 | 5 |
| 8 | 7 |
| 10 | 9 |
| 12 | 11 |
| 14 | 13 |
| 16 | 15 |
| 18 | 17 |
| 20 | 19 |
| 22 | 21 |
| 24 | 23 |
| 26 | 25 |
| 28 | 27 |
| 30 | 29 |
| 32 | 31 |
| 34 | 33 |
| 36 | 35 |
| 38 | 37 |
| 40 | 39 |



NOTES:

1. CUT CABLE AND STRIP CONDUCTORS AS REQUIRED TO ACHIEVE LENGTH SPECIFIED IN TABLE.
2. CUT UNUSED WIRE ENDS BACK TO THE JACKET BEFORE HEATING SHRINK TUBING.

| CATALOG NO. | LENGTH (m) |
|-------------|------------|
| 998175 | 0.5 |
| 998176 | 1.0 |
| 998177 | 1.5 |
| 998178 | 2.0 |

| PARTS LIST | | |
|------------|-----------------------------|-------|
| BUB. # | DESCRIPTION | QTY. |
| 1 | CONNECTOR, 40-PIN, FEMALE | 1 |
| 2 | CRIMP AND POKE TERMINAL | 40 |
| 3 | CABLE, 40-COND, 22AWG | A/R |
| 4 | TERMINAL BLOCK, IC697ACC700 | 1 |
| 5 | SHRINK TUBING | 100mm |
| 6 | TIE WRAP, NYLON, 4" | 6 |

Weidmüller
WEIDMULLER INC.
821 SOUTHLAKE BLVD.
RICHMOND, VIRGINIA 23236

CAT. NO. VARIOUS
DRWN BY DLC
APPROVED *MB*

REL. DATE 2/10/98

P/N DWG. PROD. INSP. OTHER

TOLERANCE ON :
X.X = +/- 0.508 mm
.XX = +/- 0.254 mm
.XX = +/- 0.127 mm
X = +/- .30

UNLESS OTHERWISE SPECIFIED ALL DIMENSIONS ARE IN MILLIMETERS
() INDICATES REFERENCE DIMENSIONS

PROPRIETARY RIGHTS :
THIS DOCUMENT INCLUDES DESIGN AND ENGINEERING CONCEPTS WHICH INVOLVE PROPRIETARY AND CONFIDENTIAL INFORMATION OF WEIDMULLER INC. AND ITS AFFILIATES. THESE CONTENTS MAY NOT BE DISCLOSED TO OTHERS, REPRODUCED, COPIED, OR USED WITHOUT WRITTEN AUTHORITY FROM WEIDMULLER INC. IN RICHMOND, VIRGINIA.

FPA/C 697ALG230

PRODUCTION RELEASE PAGE 1 SCALE: DO NOT SCALE SHEET 1 OF 2

DRAWING NUMBER 1100395 REV. 0