

Data sheet

PT094xxVBBF Type 393

Page 1/6

P/N
313931xx

xx=number of poles

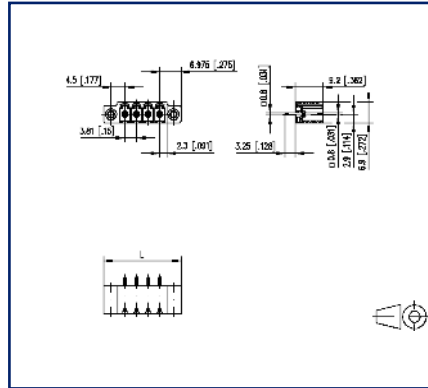
2023/06/28

Version: A

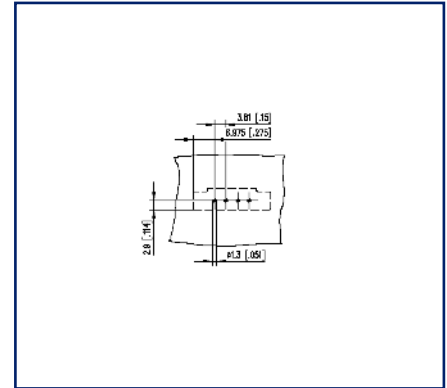
Illustrations



Dimensional drawing



Drill pattern





See enlarged drawings at the end of document

Product specification

- pin header, solderable
- centerline 3.81 mm, direction of connection vertical 0°
- closed ends
- color black, mounting flange
- codeable



Technical Data

General Data			
Solder pin length	3.25 mm		
min. number of poles	2		
max. number of poles	24		
Insulating material class	CTI 600		
clearance/creepage dist.	3.01 mm		
Protection category	IP00		
Rated current	9 A		
Overvoltage category	III	III	II
Pollution degree	3	2	2
Rated voltage	200 V	500 V	500 V
Rated test voltage	4 kV	4 kV	4 kV
Approvals			
 V / A	300 / 8		
approval UL - File No.	E121004		
 1.5 mm ²	160 V / 2.5 kV / 9 A / 0.8 x 0.8 mm		
Material			
insulating material	PA66		
flammability class	V0		
contact pin material	CuFe		
contact pin surface	Ni + Sn		
Thread insert	CuZnPb		
Glow-Wire Flammability GWFI	960 °C acc. to IEC 60695-2-12		
Glow-Wire Flammability GWIT	775 °C acc. to IEC 60695-2-13		
Climatic Data			
upper limit temperature	105 °C		
lower limit temperature	-40 °C		
general			
Tolerance	ISO 2768 -mH		
Solderability	Acc. to JEDEC JESD22-B102E 245°C/5s		

U | Contact

Data sheet

PT094xxVBBF Type 393

Page 3/6

P/N

313931xx

xx=number of poles

2023/06/28

Version: A

Accessories

P/N	Designation
720293-01-2	Coding Star for pin header, centerline 3.81 mm

© 2023 METZ CONNECT - Technische Änderungen vorbehalten! Subject to modifications! Sous réserve de modifications techniques!



U | Contact

Data sheet

PT094xxVBBF Type 393

Page 4/6

P/N

313931xx

xx=number of poles

2023/06/28

Version: A

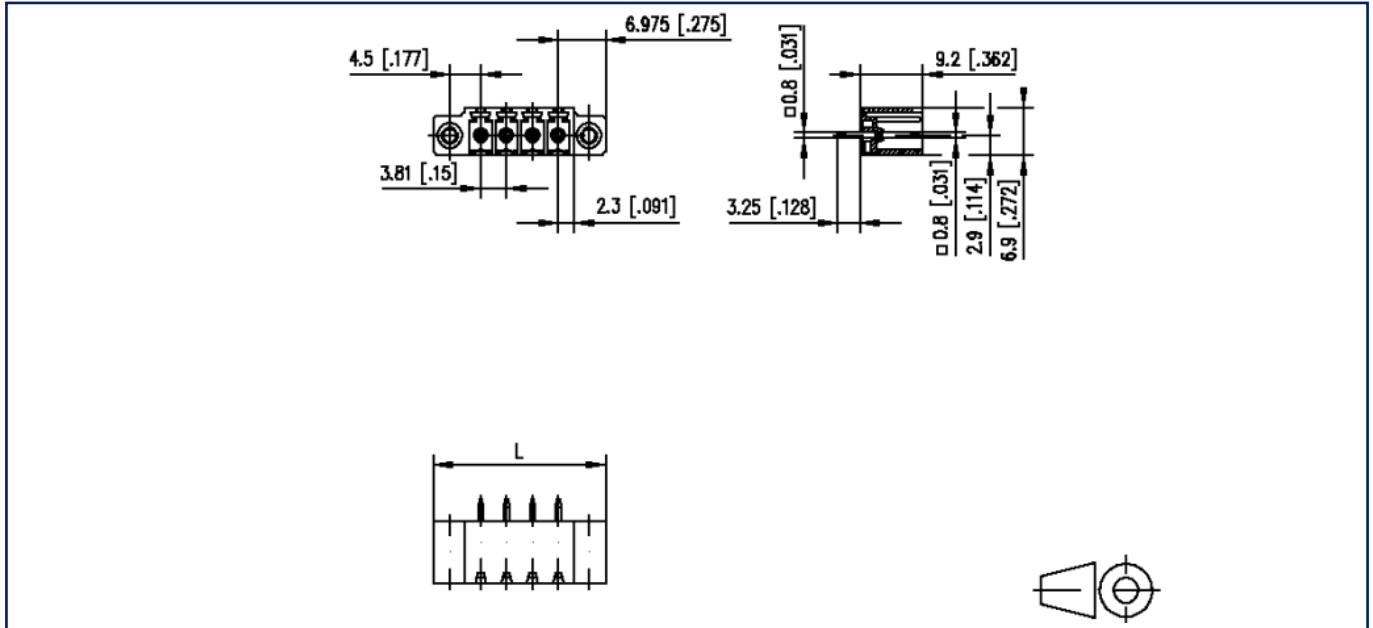
Counterpart of

P/N	Designation
313791	RP034xxVBLF Type 379
ASP084	SP064xxVGNF ASP084



Illustrations

Dimensional drawing



$L = (\text{pole size} - 1) \times \text{centerline} + 13.95 \text{ mm} [0.549]$

© 2023 METZ CONNECT - Technische Änderungen vorbehalten! Subject to modifications! Sous réserve de modifications techniques!

Illustrations

Drill pattern

