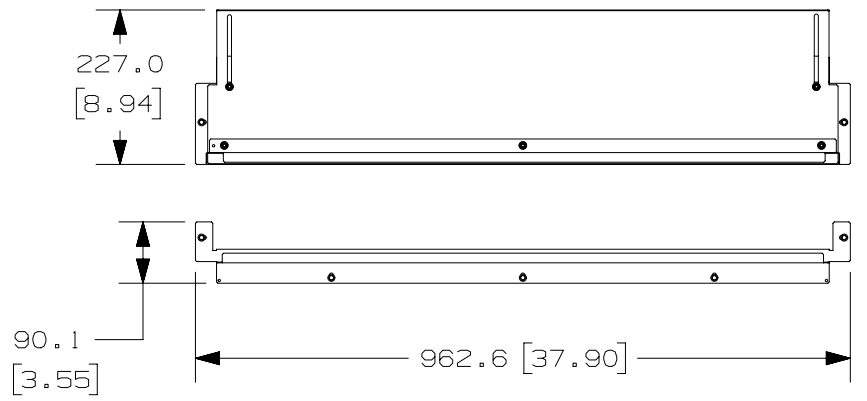
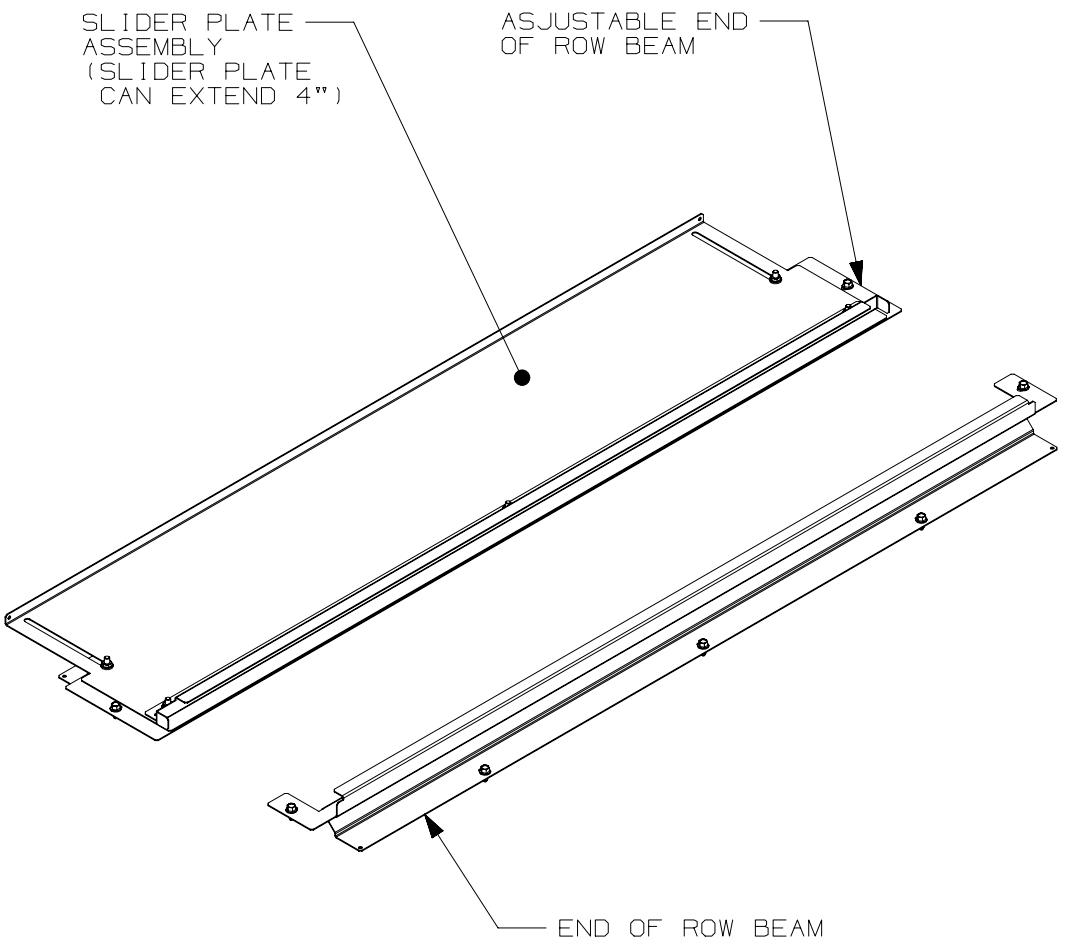


THIS COPY IS PROVIDED ON A RESTRICTED BASIS AND IS NOT TO BE USED IN ANY WAY DETRIMENTAL TO THE INTERESTS OF PANDUIT CORP.

PANDUIT P/N	DESCRIPTION	COLOR	WEIGHT
CUEORF03DPB1	END OF ROW BEAM KIT - 900mm	BLACK	4.0 Kg/EACH [8.8 lbs/EACH]
CUEORF03DPW1	END OF ROW BEAM KIT - 900mm	WHITE	4.0 Kg/EACH [8.8 lbs/EACH]

- VISIT OUR ON-LINE CATALOG AT WWW.PANDUIT.COM FOR A LIST OF CURRENT PARTS APPLICABLE FOR USE WITH THIS PRODUCT.
- PARTS SUPPLIED:
 - 1- END OF ROW BEAM ADJUSTABLE
 - 1- END OF ROW BEAM
 - 1- SLIDER PLATE ASSEMBLY
 - 1- HARDWARE KIT
 - 1- INSTRUCTION SHEET
- PRIMARY DIMENSIONS ARE IN MILLIMETERS.
- FOR USE WITH PANDUIT 900mm WIDTH AISLE NET-CONTAIN UNIVERSAL AISLE CONTAINMENT (UAC) SYSTEM.
- ORDER ONE END OF ROW KIT PER UAC CONTAINMENT STRUCTURE
- SEE CUSTOMER DRAWINGS 00047NWA FOR RELATED COMPONENTS.



TITLE		END OF ROW KIT - 900mm (CUEORF03DP**)	
		CUSTOMER DRAWING	
ITEM REVISION NAME		00047NWB/00	
DATASET FILE NAME		00047NWB_DC/00A	
		PANDUIT	
		MATERIAL:	
		N/A	
		DRAWING NUMBER:	
		00047NWB-DC	
DRAWN BY		SCALE	
LEE		NONE	
DATE		THIRD ANGLE PROJECTION	
4-24-18			
CHK		SHT 1 OF 1	
MSH		A	

REV	DATE	BY	CHK	APR	DESCRIPTION	ECN
00A	4-24-18	LEE	MSH	SJP	RELEASED TO PRODUCTION	V09001QD/01

D10100DA/16