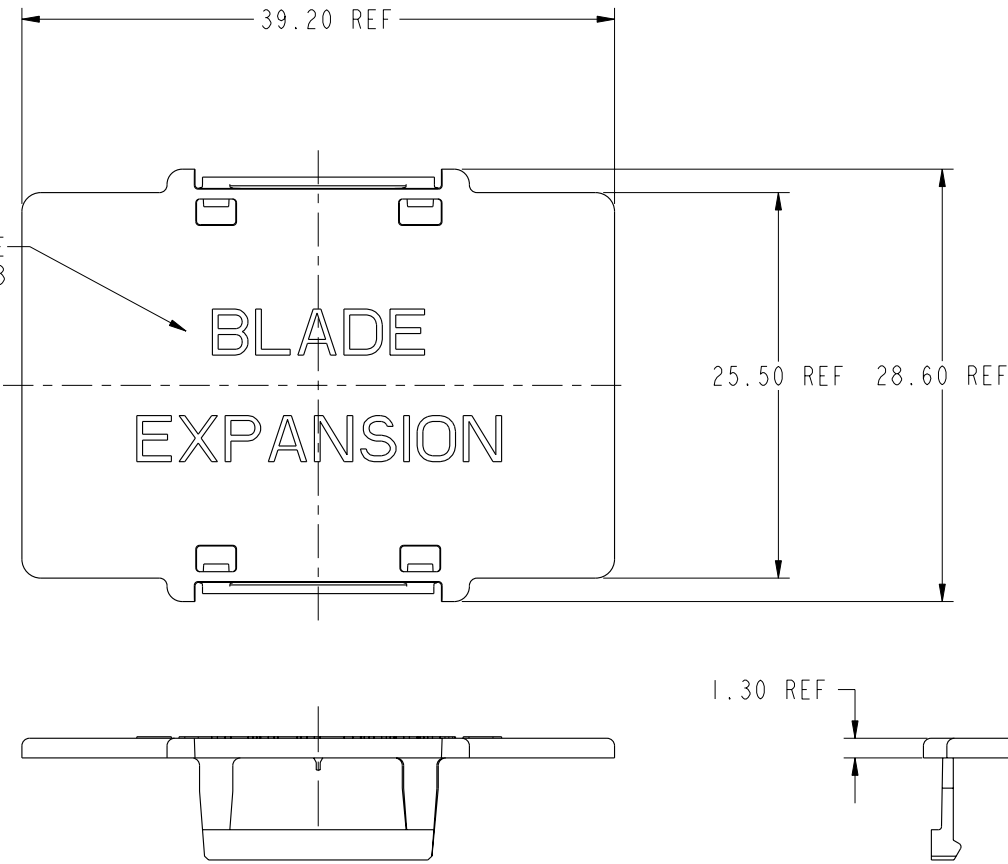


This document is the property of and embodies CONFIDENTIAL and PROPRIETARY information of FCJ. No part of the information shown on this document may be used in any way or disclosed to others without the written consent of FCJ. Copyright FCJ.



SEE TABLE
SEE NOTE 3



mat'l code				SEE NOTE 1		tolerances unless otherwise specified		CUSTOMER		FCJ www.fciconnect.com	
ltr	ecn no.	dr	date	linear	0.X ±0.3		COPY		projection	title	
A	V04-1041	TAB	10/19/04		0.XX ±0.10		MM			GIG-Array 200 POS. PROTECTIVE CAP	
B	V05-0840	LP	11/14/05	angles	0.XXX ±0.050		MM		product family	code	
C	V06-0558	LP	2006/06/21		0° ±2°		2:1			GIG-Array	
D	V06-1219	LP	2007/01/05	dr	T. BRUNGARD	08/04/04	scale		size	sheet	
				engr	M. STRAWSER	07/19/04	A		10042774		1 of 2
				chr	M. STRAWSER	08/04/04					
				appd	M. STRAWSER	08/04/04					
sheet index		revision sheet		D	D						
		1 2									

Pro/E

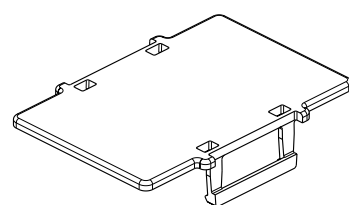
cage code 22526

PDM: Rev:D

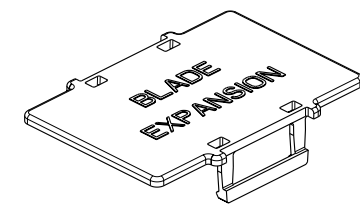
STATUS: Released

Printed: Sep 03, 2010

PRODUCT NUMBER	OPTIONAL RAISED TEXT (SEE NOTE 3)
10042774-001	NONE
10042774-001LF	NONE
10042774-002	BLADE EXPANSION
10042774-002LF	BLADE EXPANSION
10042774-003	BLADE EXPANSION
10042774-003LF	BLADE EXPANSION



10042774-001
10042774-001LF
SCALE 1:1



10042774-002
10042774-002LF
10042774-003
10042774-003LF
SCALE 1:1

NOTES:

- ① MATERIAL:
LCP
COLOR: BLACK
UL RATING: 94 V-0
2. THIS PROTECTIVE CAP SHOULD NOT BE USED AS A PICK & PLACE CAP DURING REFLOW.
- ③ OPTIONAL 0.10mm RAISED TEXT USE 12pt. HELVETICA FONT, CENTER JUSTIFIED, SEE TABLE
4. THE PRODUCTS WHERE THE PART NUMBERS ENDS IN A "LF" MEET EUROPEAN UNION DIRECTIVES AND OTHER COUNTRY REGULATIONS AS DESCRIBED IN GS-22-008. ALL PRODUCTS WILL WITHSTAND EXPOSURE TO 260° C FOR 60 SECONDS IN A CONVECTION, INFRA-RED OR VAPOR PHASE REFLOW OVEN.
5. FOR LEAD FREE PART NUMBERS ADD "LF" SUFFIX. EXAMPLE 10042774-00XLF.



This document is the property of and embodies CONFIDENTIAL and PROPRIETARY information of FCI. No part of the information shown on this document may be used in any way or disclosed to others without the written consent of FCI. Copyright FCI.

mat'l code				SEE NOTE 1		tolerances unless otherwise specified		CUSTOMER		www.fciconnect.com	
ltr	ecn no.	dr	date	linear	0.X ±0.3		COPY		projection	title	
D	-	-	-		0.XX ±0.10					GIG-Array 200 POS. PROTECTIVE CAP	
				angles	0.XXX ±0.050					product family	
					0° ±2°		GIG-Array			code	
				dr	T. BRUNGARD	08/04/04	scale		A	size	
				enrg	M. STRAWSER	07/19/04	1:1			10042774	
				chr	M. STRAWSER	08/04/04					sheet
				appd	M. STRAWSER	08/04/04					2
sheet index	revision sheet										