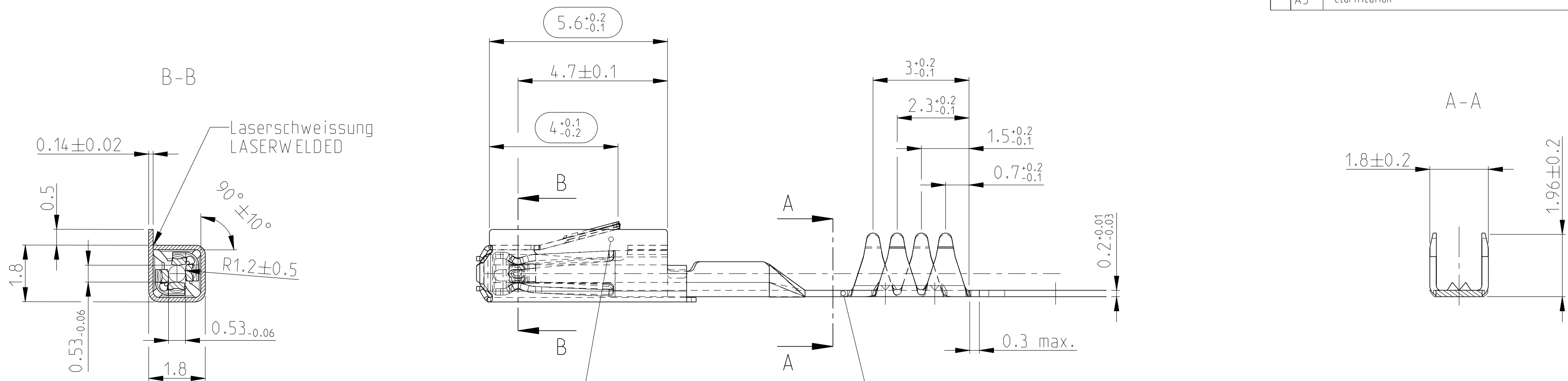


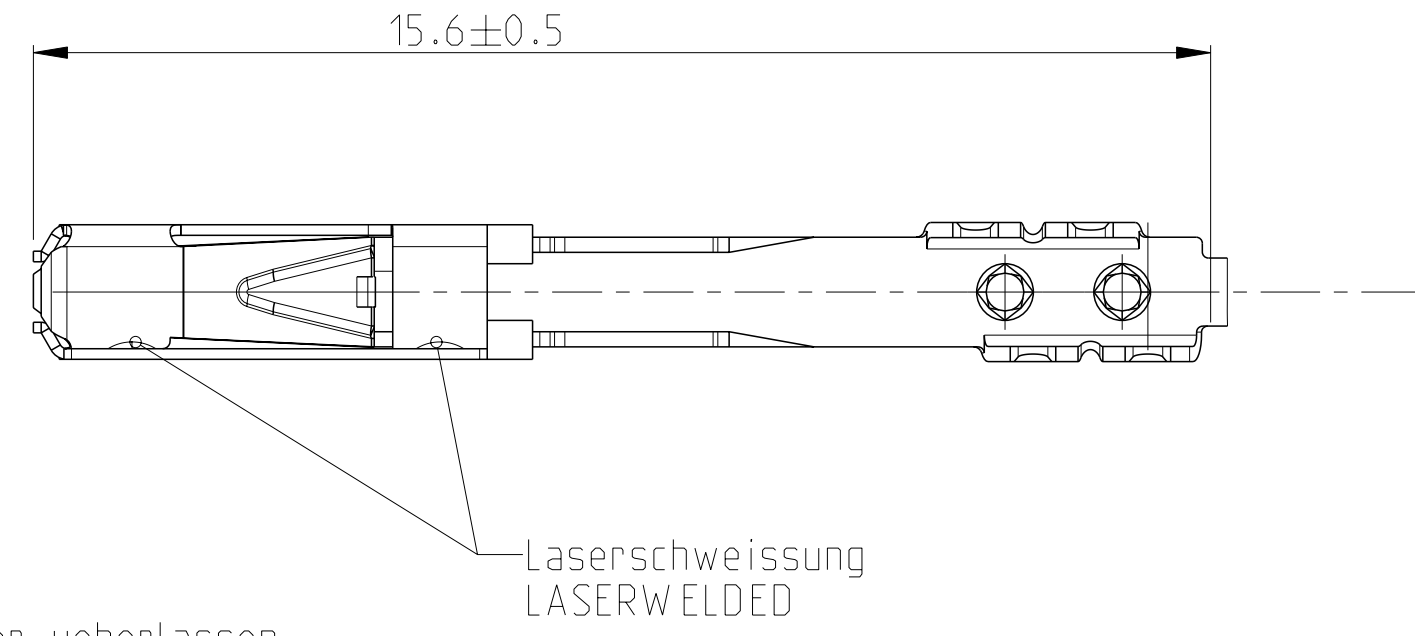
THIS DRAWING IS UNPUBLISHED. RELEASED FOR PUBLICATION 2003
 © COPYRIGHT 2003 BY - ALL RIGHTS RESERVED.

REVISIONS				
P	LTR	DESCRIPTION	DATE	APVD
A2		ECR-05-007181	18 JUL 2005	JJ HW
A3		DRAWING UPDATED. NEW TE LOGO. ECR-15-00246	02 MAY 2015	Abr Brun
A4		PCN-22-152671	15 SEP 2022	FRAN UTZ
A5		Clarification	13 OCT 2022	FRAN UTZ



Ueberfeder / SPRING
 Material: X10CrNi 18 8
 DIN 17224
 Oberflaeche / SURFACE: blank

Kontaktkoerper / BODY
 Material: CuNiSi
 Oberflaeche: siehe Tabelle
 SURFACE: SEE CHART



Bemerkungen
 NOTES

-
-
- 1 Einzelheiten der Ausfuehrung bleiben dem Hersteller ueberlassen
 DETAILS OF DESIGN ARE LEFT TO MANUFACTURER
- 2 Passend zu Stiftkontakt siehe Zeichnung: PN: 929453
 SUITABLE FOR PIN CONTACT SEE DRAWING:
-
-

Sn: verzinnzte Ausfuehrung TINNED Kontaktkoerper: 0.8-2 µm Sn BODY: 0.8-2 µm Sn

1418887-1	A1	1418930-1	Sn	0.1
Bestell-Nr.: ORDER-NO.	Rev.	Einzelausfuehrung LOOSE PIECE ORDER NO	Oberflaeche SURFACE	Gewicht WEIGHT (g)

THIS DRAWING IS A CONTROLLED DOCUMENT.

DIMENSIONS: mm	TOLERANCES UNLESS OTHERWISE SPECIFIED: DIN 6930-m	DWN J.Jauris 14OCT2003	CHK H.Wendling 22OCT2003	TE Connectivity	
MATERIAL	FINISH	APVD	NAME	MQS-CONTACT WITH NEW FFC-CRIMP	
		PRODUCT SPEC	SIZE	CAGE CODE	DRAWING NO
		APPLICATION SPEC	A2	-	©-1418887
		WEIGHT	Customer Drawing	SCALE	10:1
			SHEET	1 OF 1	REV A5

Printed on 13 Oct 2022 10:00 (Mittelnop from TE220462)