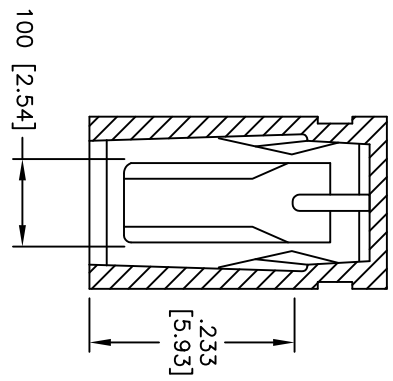
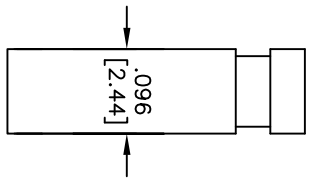
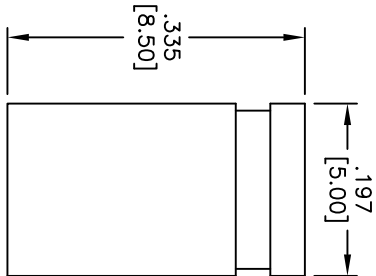


APPROVED: \_\_\_\_\_  
 DATE: \_\_\_\_\_ TITLE: \_\_\_\_\_

Rev	AWO #	Description	Date	Appr
-		RELEASED	4/6/05	
A		REVISED SHAPE	7/03/08	
B		REDRAWN	7/03/09	



**SPECIFICATIONS:**

Material: PBT, glass reinforced, rated UL 94V-0  
 Insulator color: Black  
 Contacts: Phosphor Bronze  
 Plating:  
 G = Gold flash over Nickel underplate overall  
 T = Tin over Copper underplate overall  
 Electrical:  
 Current rating: 3 Amp max  
 Contact resistance: 30 mohms max  
 Insulation resistance: 1000 Mohms min  
 Dielectric withstanding voltage: 650 VAC for 1 minute  
 Temperature Rating:  
 Operating temperature: -55°C to +105°C  
 Environmental:  
 Lead free, RoHS compliant



UNLESS OTHERWISE SPECIFIED  
 ALL DIMENSIONS ARE INCHES [MM]  
 TOLERANCES: EXCEPT AS NOTED  
 INCHES  
 .X ± .10 ØX ± .10  
 .XX ± .020 ØXX ± .015  
 .XXX ± .015 ØXXX ± .010  
 APPROVALS \_\_\_\_\_ DATE \_\_\_\_\_  
 DRAWN \_\_\_\_\_ SS \_\_\_\_\_ 4/6/05  
 CHECKED \_\_\_\_\_  
 APPROVED \_\_\_\_\_

**ADAM TECH**

909 Rahway Avenue, Union, NJ 07083  
 Phone: 908-687-5000 Fax: 908-687-5710

TITLE: .100 [2.54] MINI SHUNT, CLOSED TOP  
 .335 [8.50] HEIGHT

REF: S00076T	SCALE: NTS	SHEET 1 OF 1
SIZE: X	PART NO.: MSDA-X	REV: B