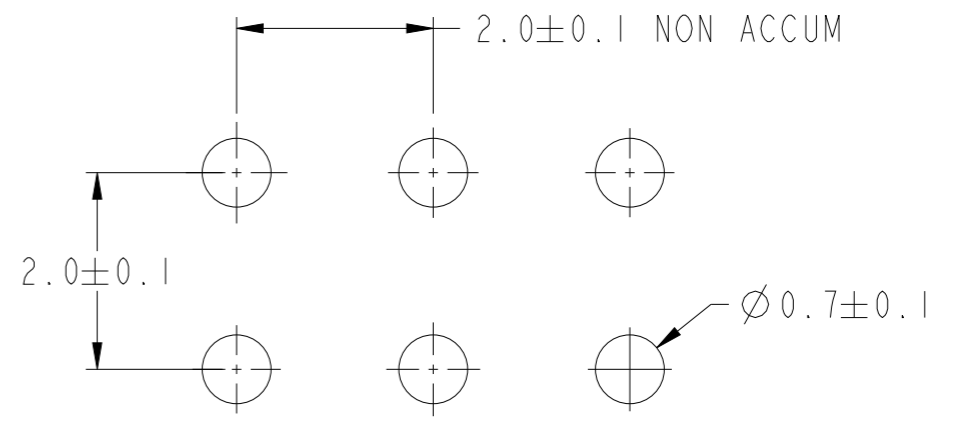
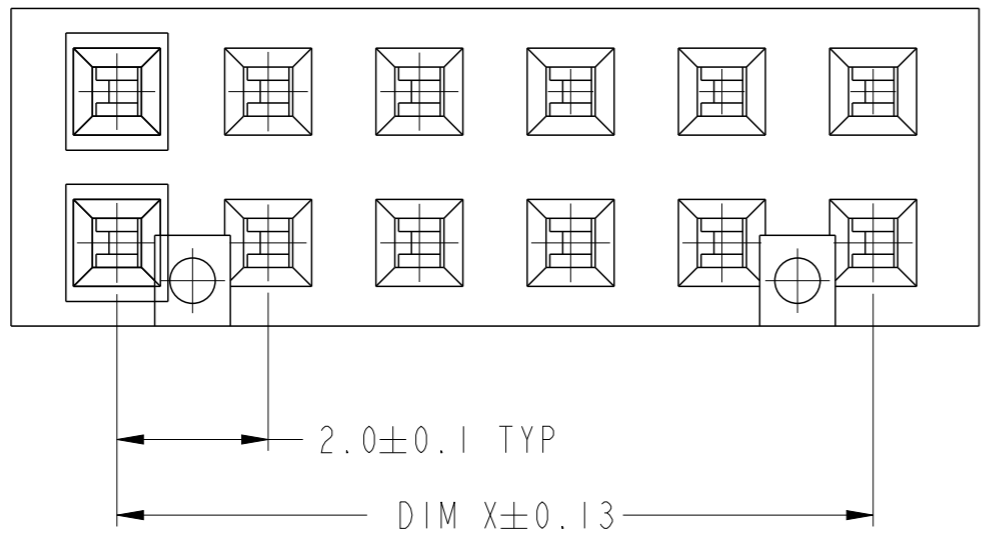
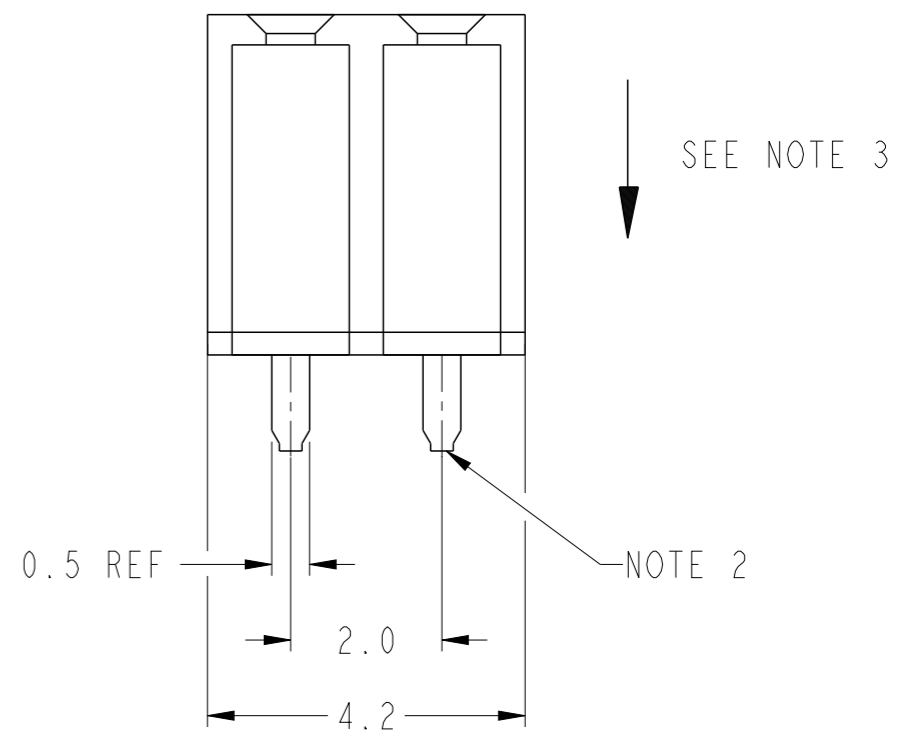
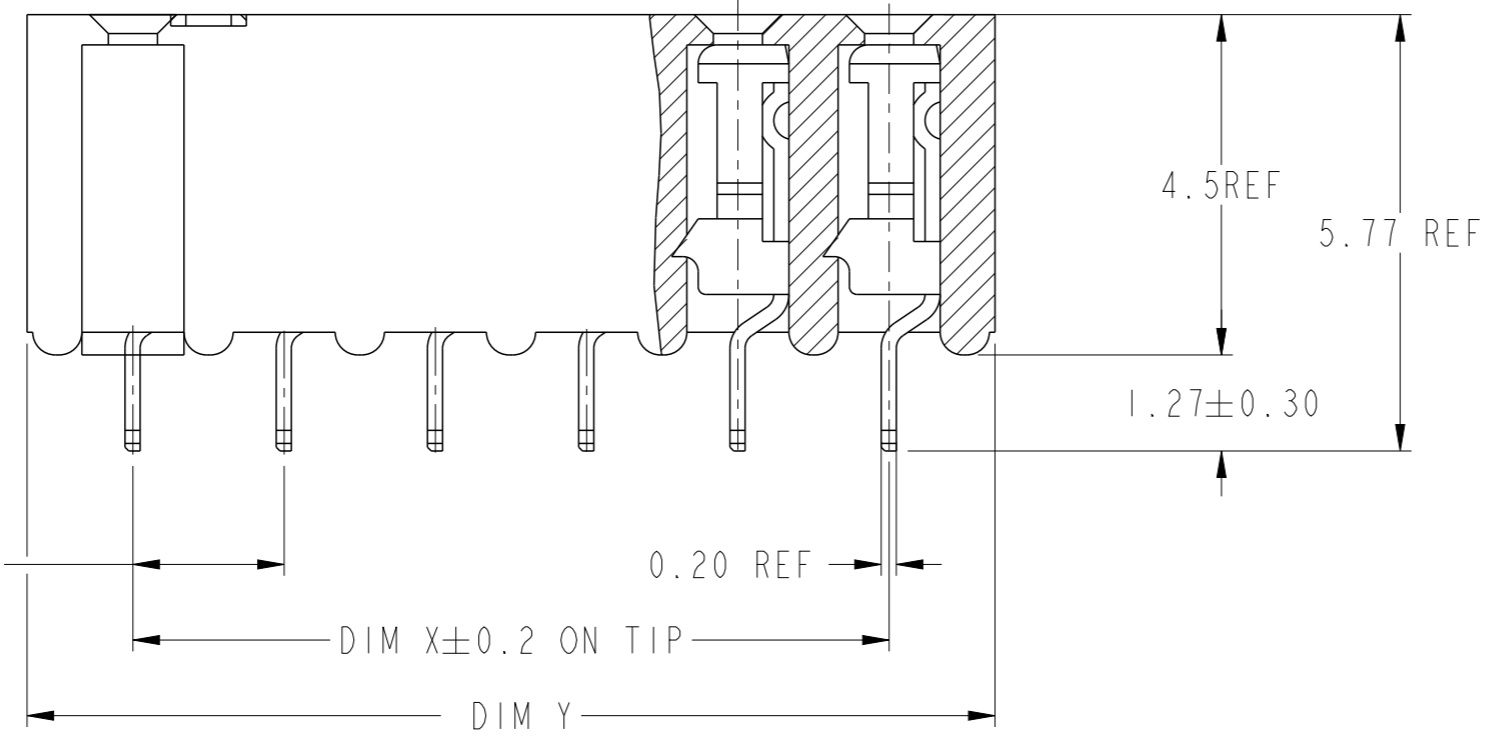


Amphenol FCI
© 2016 AFCI



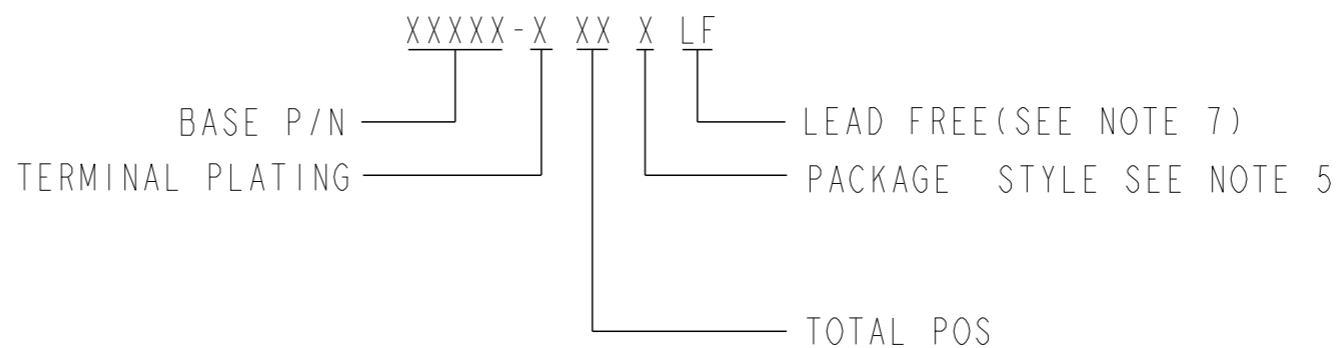
RECOMMENDED MOUNTING HOLE LAYOUT



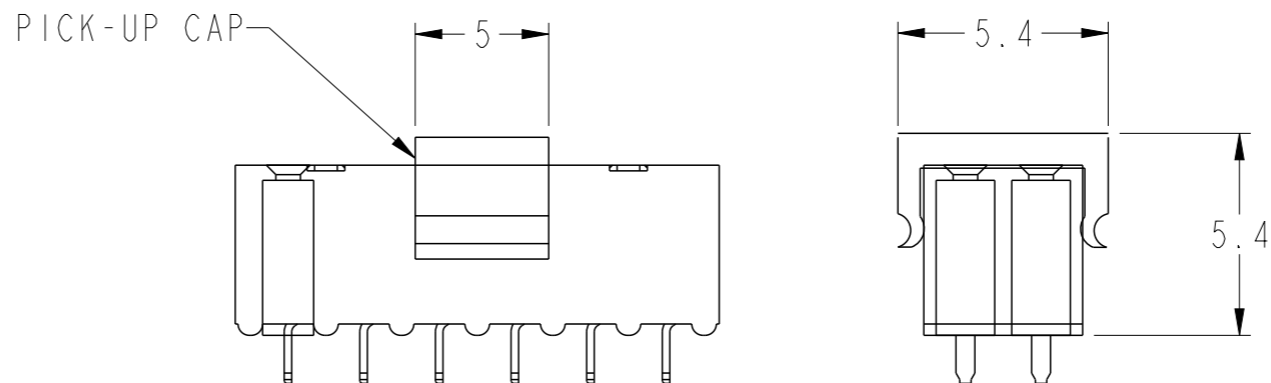
spec ref -		dr	wcadmin, wcadm	2010/10/28	projection	MM	size	A3	scale	10:1
tolerance std ISO 406 ISO 1101		TOLERANCES UNLESS OTHERWISE SPECIFIED			eng	Yuan-Yuan Bao	2020/10/26	ecn no ELX-N-38731-1		
surface		linear	0.X	± -	chr	-	rel level			Released
ISO 1302		angular	0°	±3°	appr	Tim Yao	2020/12/24	product family		MINITEK
		Amphenol FCI		MINITEK II		dwg no		87175		rev
				VCC (1.27 LEG) HTP						J
				cat. no.		-		Product - Customer Drw		sheet 1 of 3

PRODUCT NO	POS	DIM X	DIM Y
87175-X02	2 X 1	- OBSOLETE -	
-X04	2 X 2	2	4.8
-X06	2 X 3	4	6.8
-X08	2 X 4	6	8.8
-X10	2 X 5	8	10.8
-X12	2 X 6	10	12.8
-X14	2 X 7	12	14.8
-X16	2 X 8	14	16.8
-X18	2 X 9	16	18.8
-X20	2 X 10	18	20.8
-X22	2 X 11	20	22.8
-X24	2 X 12	22	24.8
-X26	2 X 13	24	26.8
-X28	2 X 14	26	28.8
-X30	2 X 15	28	30.8
-X32	2 X 16	30	32.8
-X34	2 X 17	32	34.8
-X36	2 X 18	34	36.8
-X38	2 X 19	36	38.8
-X40	2 X 20	38	40.8
-X42	2 X 21	40	42.8
-X44	2 X 22	42	44.8
-X46	2 X 23	44	46.8
-X48	2 X 24	46	48.8
-X50	2 X 25	48	50.8

PART NUMBER INFORMATION



PLATING	DESCRIPTION
0	0.2μm Au
1	0.76μm Au
2	UNASSIGNED
3	0.38μm Au
4	UNASSIGNED
5	UNASSIGNED
6	UNASSIGNED



PICK -UP OPTION FOR 87175-XXXTRLF

dr	wcadmin, wcadm	2010/10/28	projection	MM	size	A3	scale	10:1
eng	Yuan-Yuan Bao	2020/10/26			ecn no	ELX-N-38731-1		
chr	-	-	product family	MINITEK	rel level	Released		
appr	Tim Yao	2020/12/24			dwg no	87175	rev	J
Amphenol FCI		MINITEK II			cat. no.		-	
		VCC (1.27 LEG) HTP			Product - Customer Drw		sheet 2 of 3	

Amphenol FCI

© 2016 AFCI

1

2

3

4

PRODUCT NO NOTE 5, 6 & 7	POS	DIM X	DIM Y
87175-X02LF	2 X 1	- OBSOLETED -	
-X04LF	2 X 2	2	4.8
-X06LF	2 X 3	4	6.8
-X08LF	2 X 4	6	8.8
-X10LF	2 X 5	8	10.8
-X12LF	2 X 6	10	12.8
-X14LF	2 X 7	12	14.8
-X16LF	2 X 8	14	16.8
-X18LF	2 X 9	16	18.8
-X20LF	2 X 10	18	20.8
-X22LF	2 X 11	20	22.8
-X24LF	2 X 12	22	24.8
-X26LF	2 X 13	24	26.8
-X28LF	2 X 14	26	28.8
-X30LF	2 X 15	28	30.8
-X32LF	2 X 16	30	32.8
-X34LF	2 X 17	32	34.8
-X36LF	2 X 18	34	36.8
-X38LF	2 X 19	36	38.8
-X40LF	2 X 20	38	40.8
-X42LF	2 X 21	40	42.8
-X44LF	2 X 22	42	44.8
-X46LF	2 X 23	44	46.8
-X48LF	2 X 24	46	48.8
-X50LF	2 X 25	48	50.8

NOTES:

- 1 MATERIAL
BODY : HIGH TEMPERATURE THERMOPLASTIC, UL 94V-0, NATURAL
PIN : COPPER ALLOY
- 2 CUT SURFACE IS UNPLATED
- 3 TERMINAL RETENTION FORCE 0.5 Kg MIN
- 4 (i) SOLDER TAIL OF P/N: 87175-XXX IS TIN/LEAD PLATED.
(ii) SOLDER TAIL OF P/N: 87175-XXXLF IS 100% MATTE TIN PLATED.
- 5. 87175-XXXLF PACKAGING IN TUBE.
87175-XXXTRLF PACKAGING IN TAPE AND REEL WITH CAP
87175-XXXTRNLF PACKAGING IN TAPE AND REEL WITHOUT CAP
- 6 THE HOUSING WILL WITHSTAND EXPOSURE TO 250°C PEAK TEMPERATURE FOR 10 SECONDS IN A CONVECTION, INFRA-RED OR VAPOR PHASE REFLOW OVEN.
- 7 THE HOUSING WILL WITHSTAND EXPOSURE TO 260°C PEAK TEMPERATURE FOR 10 SECONDS IN A WAVE SOLDER APPLICATION WITH A 1.57MM MINIMUM THICK CIRCUIT BOARD.
- 8 THIS PRODUCT MEETS EUROPEAN UNION DIRECTIVES AND OTHER COUNTRY REGULATIONS AS DESCRIBED IN GS-22-008.

Amphenol FCI

© 2016 AFCI

dr	wcadmin, wcadm	2010/10/28	projection 	MM ← →	size	A3	scale	10:1
eng	Yuan-Yuan Bao	2020/10/26			ecn no	ELX-N-38731-1		
chr	-	-	product family	MINITEK	rel level	Released		
appr	Tim Yao	2020/12/24						
Amphenol FCI			MINITEK II		dwg no	87175	rev	J
			VCC (1.27 LEG) HTP		cat. no.	-	Product - Customer Drw	
					sheet 3 of 3			

1

2

3

PDS: Rev :J

STATUS:Released

Printed: Dec 24, 2020