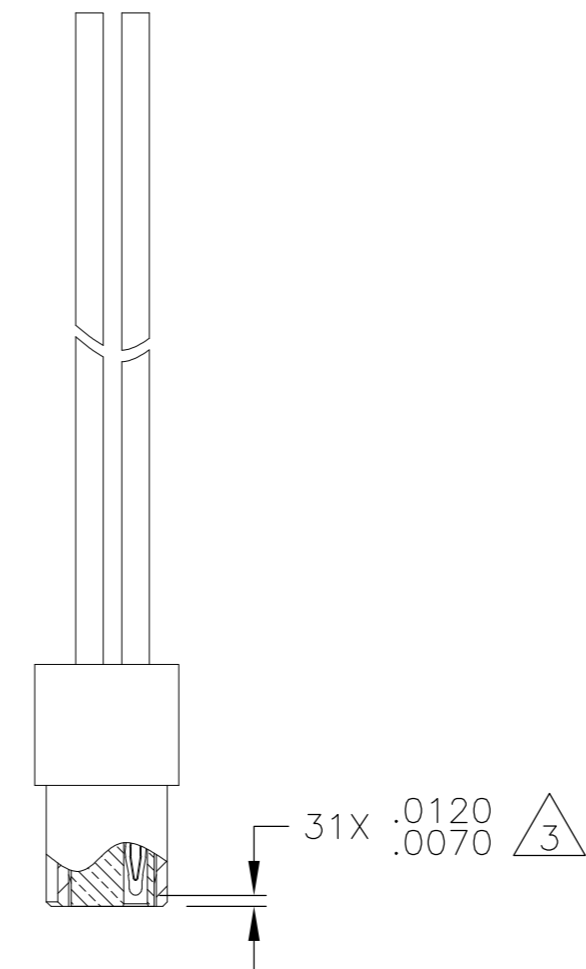
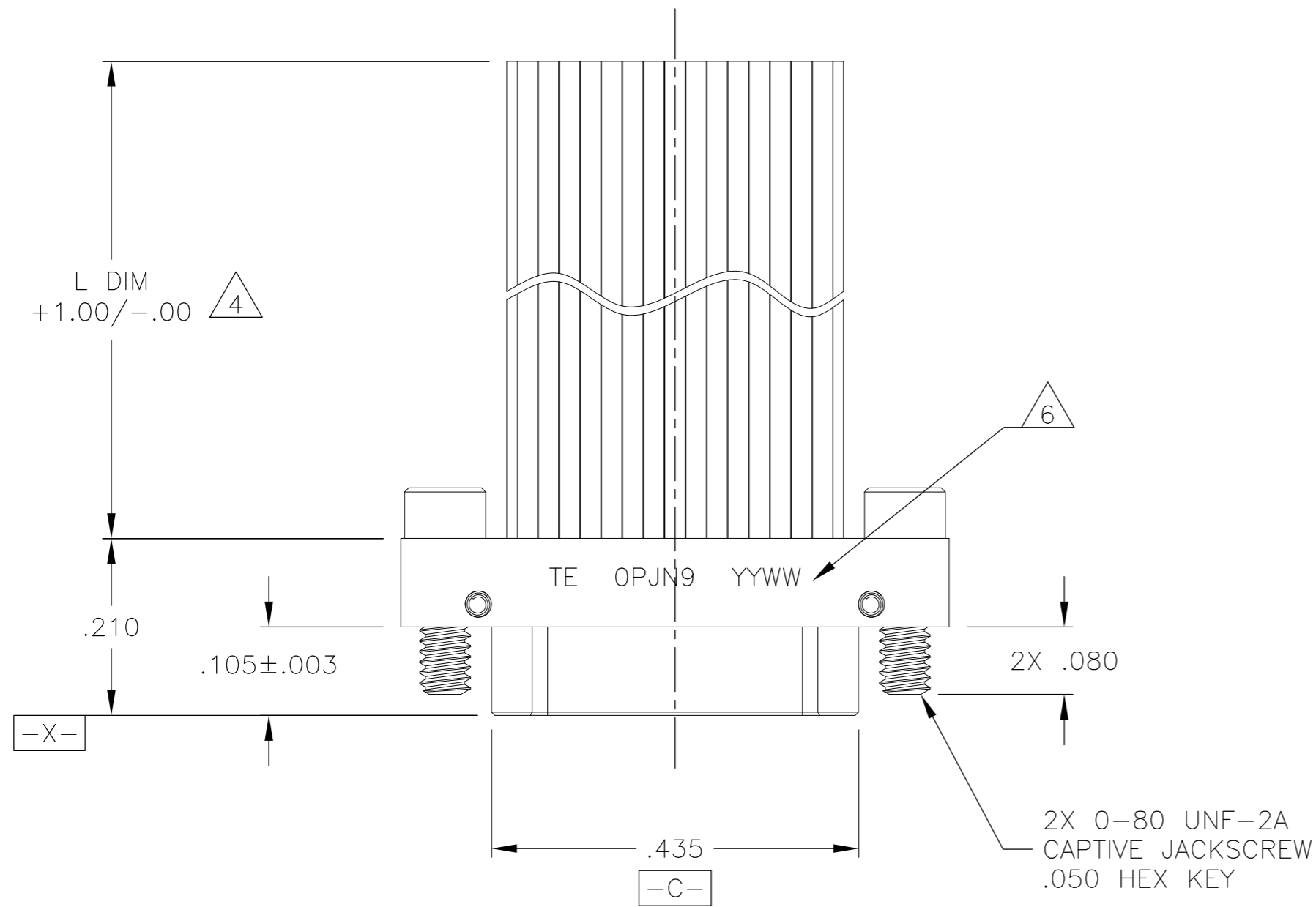
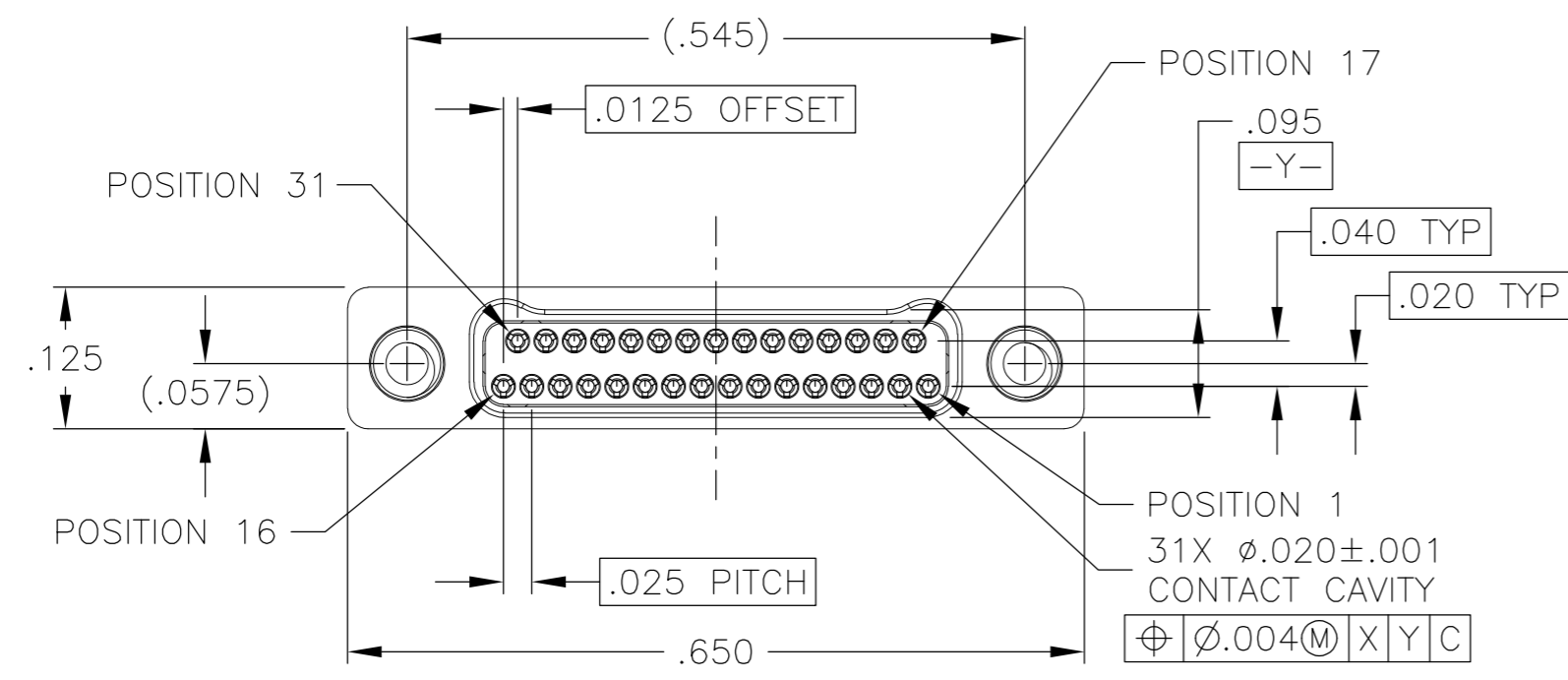
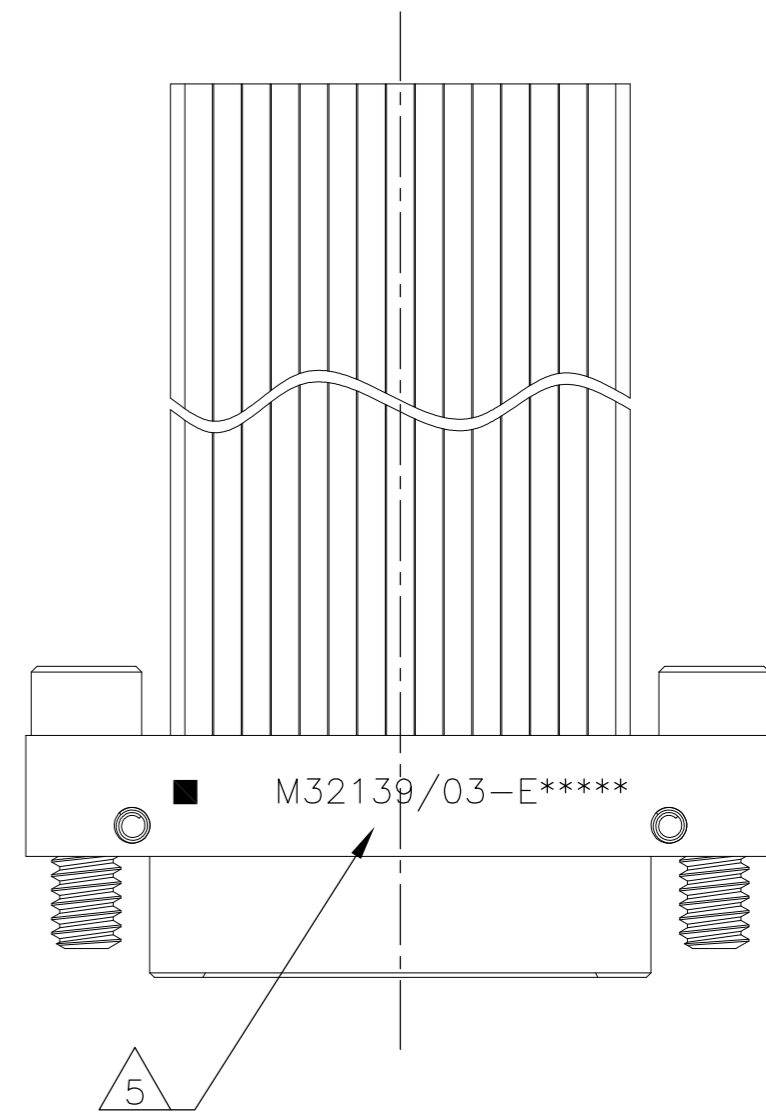


THIS DRAWING IS UNPUBLISHED. RELEASED FOR PUBLICATION
 © COPYRIGHT - By - ALL RIGHTS RESERVED.

LOC		DIST		REVISIONS			
P	LTR	DESCRIPTION		DATE	DWN	APVD	
B		REV PER ECO 15-007382		5-18-15	CT	RL	



JACKSCREWS OMITTED FOR CLARITY



1 ALL DIMENSIONS, MATERIALS, AND FINISHES ARE IN ACCORDANCE WITH MIL-DTL-32139 AND MIL-DTL-32139/3
 2 SEE SHEET 2 FOR MIL-DTL-32139 PIN (PART IDENTIFYING NUMBER) AND CORRESPONDING TE PART NUMBERS

- 3 INSULATOR SHALL BE FLUSH WITH THE SHELL TO WITHIN ±.004
- 4 WIRE TYPE DEFINED BY MIL-DTL-32139/3
- 5 CONNECTOR SHALL BE MARKED IN ACCORDANCE WITH METHOD I OF MIL-STD-1285. MARKING SHALL CONTAIN THE MILITARY PIN AND POSITION 1 INDICATED BY AN IDENTIFIABLE MARK, LOCATED APPROXIMATELY AS SHOWN ON THE POSITION 1 SIDE OF THE CONNECTOR FLANGE. TEXT HEIGHT SHALL BE .035 INCH MINIMUM.
- 6 CONNECTOR SHALL BE MARKED IN ACCORDANCE WITH METHOD I OF MIL-STD-1285. MARKING SHALL CONTAIN TE, CAGE CODE AND DATE CODE. EXAMPLE: TE OPJN9 YYWW (WHERE YYWW IS THE DATE CODE). TEXT HEIGHT SHALL BE .035 INCH MINIMUM.

THIS DRAWING IS A CONTROLLED DOCUMENT.		DWN	16 AUG 10		TE Connectivity	
DIMENSIONS: INCHES		CHK	16 AUG 10		NAME	
TOLERANCES UNLESS OTHERWISE SPECIFIED:		M STORRY		PRODUCT SPEC		
0 PLC ± -		APVD -		APPLICATION SPEC		
1 PLC ± -		-		WEIGHT -		
2 PLC ± -		-		SCALE 6:1		
3 PLC ± .005		-		SHEET 1 of 2		
4 PLC ± -		-		REV B		
ANGLES ± 2°		-		CUSTOMER DRAWING		
MATERIAL SEE NOTES		FINISH SEE NOTES		SIZE A2		
				CAGE CODE OPJN9		
				DRAWING NO. 1925218		
				RESTRICTED TO -		

THIS DRAWING IS UNPUBLISHED. RELEASED FOR PUBLICATION
 © COPYRIGHT - By - ALL RIGHTS RESERVED.

LOC		DIST		REVISIONS			
P	LTR	DESCRIPTION	DATE	DWN	APVD		
-	-	SEE SHEET 1	-	-	-		

PART NUMBER CROSS REFERENCE			
TE P/N	L DIM	MIL SPEC PIN	NANONICS P/N
1925218-1	6	M32139/03-E01SNS	TMN2N031PC2DX006S
1925218-2	6	M32139/03-E01SSS	TMN2S031PC2DX006S
1925218-3	18	M32139/03-E02SNS	TMN2N031PC2DX018S
1925218-4	18	M32139/03-E02SSS	TMN2S031PC2DX018S
1925218-5	36	M32139/03-E03SNS	TMN2N031PC2DX036S
1925218-6	36	M32139/03-E03SSS	TMN2S031PC2DX036S
1925218-7	6	M32139/03-E04SNS	TMN2N031PC2DM006S
1925218-8	6	M32139/03-E04SSS	TMN2S031PC2DM006S
1925218-9	18	M32139/03-E05SNS	TMN2N031PC2DM018S
1-1925218-0	18	M32139/03-E05SSS	TMN2S031PC2DM018S
1-1925218-1	36	M32139/03-E06SNS	TMN2N031PC2DM036S
1-1925218-2	36	M32139/03-E06SSS	TMN2S031PC2DM036S
1-1925218-3	6	M32139/03-E07SNS	TMN2N031PC2DT006S
1-1925218-4	6	M32139/03-E07SSS	TMN2S031PC2DT006S
1-1925218-5	18	M32139/03-E08SNS	TMN2N031PC2DT018S
1-1925218-6	18	M32139/03-E08SSS	TMN2S031PC2DT018S
1-1925218-7	36	M32139/03-E09SNS	TMN2N031PC2DT036S
1-1925218-8	36	M32139/03-E09SSS	TMN2S031PC2DT036S
1-1925218-9	6	M32139/03-E10SNS	TMN2N031PC2TM006S
2-1925218-0	6	M32139/03-E10SSS	TMN2S031PC2TM006S
2-1925218-1	18	M32139/03-E11SNS	TMN2N031PC2TM018S
2-1925218-2	18	M32139/03-E11SSS	TMN2S031PC2TM018S
2-1925218-3	36	M32139/03-E12SNS	TMN2N031PC2TM036S
2-1925218-4	36	M32139/03-E12SSS	TMN2S031PC2TM036S

2-1925218-5	6	M32139/03-E13SNS	TMN2N031PC2CX006S
2-1925218-6	6	M32139/03-E13SSS	TMN2S031PC2CX006S
2-1925218-7	18	M32139/03-E14SNS	TMN2N031PC2CX018S
2-1925218-8	18	M32139/03-E14SSS	TMN2S031PC2CX018S
2-1925218-9	36	M32139/03-E15SNS	TMN2N031PC2CX036S
3-1925218-0	36	M32139/03-E15SSS	TMN2S031PC2CX036S
3-1925218-1	6	M32139/03-E16SNS	TMN2N031PC2CM006S
3-1925218-2	6	M32139/03-E16SSS	TMN2S031PC2CM006S
3-1925218-3	18	M32139/03-E17SNS	TMN2N031PC2CM018S
3-1925218-4	18	M32139/03-E17SSS	TMN2S031PC2CM018S
3-1925218-5	36	M32139/03-E18SNS	TMN2N031PC2CM036S
3-1925218-6	36	M32139/03-E18SSS	TMN2S031PC2CM036S

TMN X X XXX XX X XX XXX X

CLASS
M32139

ROW
2 2 ROW

FINISH
N ELECTROLESS NICKEL
S STAINLESS STEEL

POSITION
031 31 POSITION

HARDWARE/THREADS
S 0-80 JACKSCREW, CAPTIVATED (PLUGS)

CONDUCTOR LENGTH
006 SIX INCHES
018 EIGHTEEN INCHES
036 THIRTY SIX INCHES

CONDUCTOR TYPE
DX WHITE PTFE PER NEMA HP3-ETXBBB9
DM COLOR CODED PTFE PER MIL-STD-681, SYSTEM 1
DT WHITE ETFE PER M22759/33-30-9
TM COLOR CODED ETFE PER MIL-STD-681, SYSTEM 1
CX WHITE COMPOSITE/PTFE PER DSCC 04047-30A-9
CM COLOR CODED COMPOSITE/PTFE PER MIL-STD-681, SYSTEM 1

CONDUCTOR SIZE/STRANDS
2 30AWG 7 STRAND

CONFIGURATION
PC PLUG

- THE FINAL 'S' IN THE MIL-SPEC PIN SIGNIFIES THAT THE CONNECTOR IS "SPACE CLASS". OMITTING THIS CHARACTER WILL YIELD THE SAME CORRESPONDING TE AND NANONICS PART NUMBERS.
- THE COLOR CODE SHALL ONLY INCLUDE THE 10 SOLID COLORS IN REPEATING SEQUENCE.
- PRELIMINARY PARTS - NOT RELEASED FOR PRODUCTION

THIS DRAWING IS A CONTROLLED DOCUMENT.		DWN C SCHOLL 16 AUG 10	TE Connectivity	
DIMENSIONS: INCHES		CHK M STORRY 16 AUG 10		
TOLERANCES UNLESS OTHERWISE SPECIFIED:		APVD -	NAME PLUG ASSEMBLY, TWO ROW, FLYING LEADS, PER MIL-DTL-32139/3, SIZE 31	
0 PLC ± - 1 PLC ± - 2 PLC ± - 3 PLC ± - 4 PLC ± - ANGLES ± -		PRODUCT SPEC -	SIZE A2	
MATERIAL -		APPLICATION SPEC -	CAGE CODE 0PJN9	DRAWING NO 1925218
FINISH -		WEIGHT -	RESTRICTED TO -	SCALE 6:1
		CUSTOMER DRAWING	SHEET 2 of 2	REV B