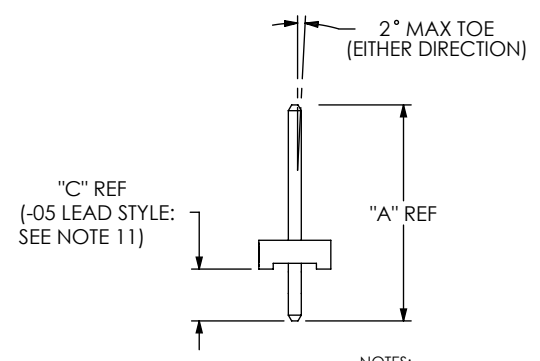
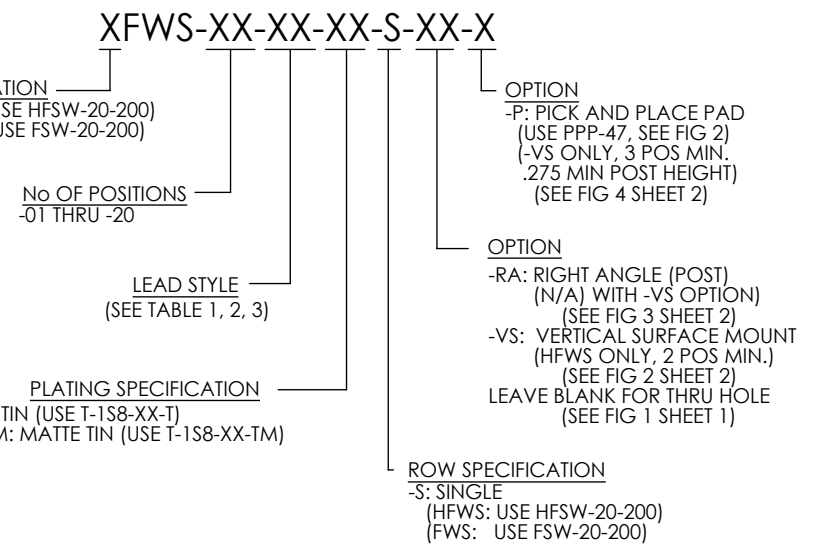
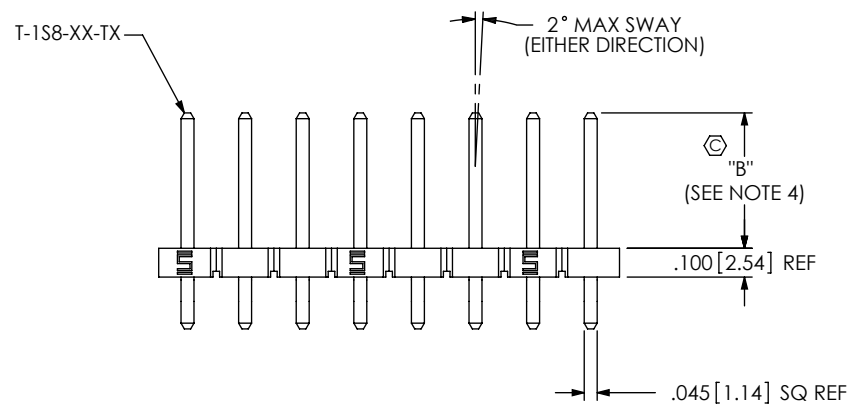
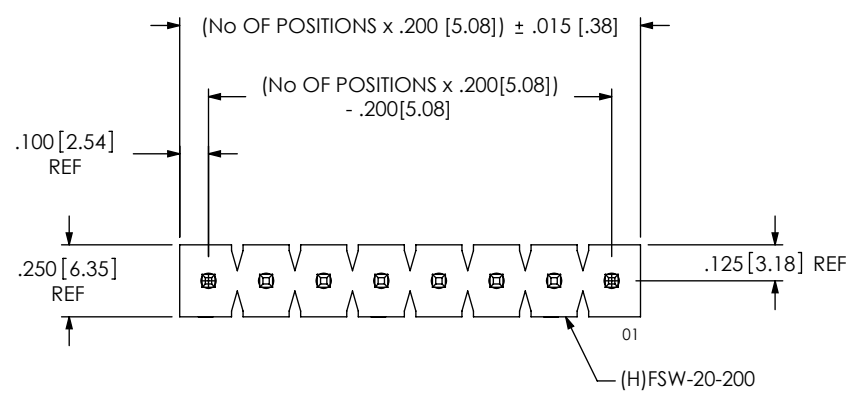


DO NOT SCALE FROM THIS PRINT

**FIG 1**  
**THRU HOLE OPTION**  
 (XFWS-08-XX-T-S SHOWN)  
 SEE NOTE 9



- NOTES:
1.  $\text{⊕}$  REPRESENTS A CRITICAL DIMENSION.
  2. MINIMUM PUSHOUT FORCE: 3 lbs.
  3. MAXIMUM ALLOWABLE BOW: .003[.08] IN/IN AFTER ASSEMBLY.
  4. HEIGHT VARIATION BETWEEN ANY 2 PINS: .005[.13] MAX.
  5. -----
  6. -----
  7. MAXIMUM ALLOWABLE FLASH: .020[.51].
  8. MAXIMUM PIN ROTATION IN BODY: 2 DEGREES.
  9. THRU HOLE AND RIGHT ANGLE PARTS TO BE BULK PACKAGED.
  10. -VS PARTS TO BE PACKAGED AS:  
 POSITIONS -02 AND -03: LAYER PACKAGED.  
 POSITIONS -04 THRU -20: TUBE PACKAGED.
  11. TAILS ARE TO BE SHEARED TO PROPER LENGTH.
  12. T-1S8-XX MUST BE FLIPPED IN THE OPPOSITE WAY AS THE SELECTIVE PINS TO REDUCE THE NUMBER OF BAND MARKS IN THE POST AREA.

**TABLE 1 : THRU HOLE OPTION**

STYLE	TERMINAL	"A" OVERALL HEIGHT	"B" POST HEIGHT	"C" TAIL DIM.
-01	T-1S8-01-TX	.750 [19.05]	.470 [11.94]	.180 [4.57]
-02	T-1S8-02-TX	.800 [20.32]	.520 [13.21]	.180 [4.57]
-04	T-1S8-04-TX	1.090 [27.69]	.829 [21.06]	.161 [4.10]
-05	T-1S8-01-TX	.430 [10.92]	.150 [3.81]	.180 [4.57]
-06	T-1S8-05-TX	1.350 [34.29]	1.070 [27.18]	.180 [4.57]


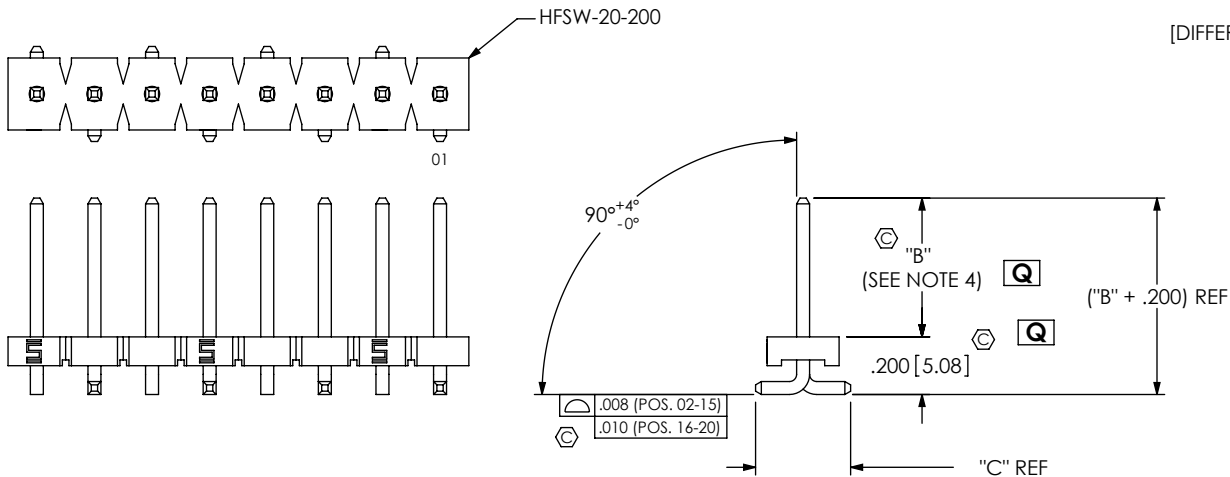
UNLESS OTHERWISE SPECIFIED, DIMENSIONS ARE IN INCHES. TOLERANCES ARE: DECIMALS ANGLES .XX: ±.01 [.3] ±2° .XXX: ±.005 [.13] .XXXX: ±.0020 [.051]	<b>PROPRIETARY NOTE</b> THIS DOCUMENT CONTAINS INFORMATION CONFIDENTIAL AND PROPRIETARY TO SAMTEC, INC. AND SHALL NOT BE REPRODUCED OR TRANSFERRED TO OTHER DOCUMENTS OR DISCLOSED TO OTHERS OR USED FOR ANY PURPOSE OTHER THAN THAT WHICH IT WAS OBTAINED WITHOUT THE EXPRESSED WRITTEN CONSENT OF SAMTEC, INC.	 520 PARK EAST BLVD. NEW ALBANY, IN 47150 PHONE: 812-944-6733 FAX: 812-948-5047 e-Mail: info@SAMTEC.com code: 55322	
		<b>MATERIAL:</b> DO NOT SCALE DRAWING SHEET SCALE: 1.5:1 INSULATOR: HFSW: VECTRA E130i, COLOR: NATURAL FWS: VALOX 420 SEO, COLR: BLACK TERMINAL: PHOS BRONZE	<b>DESCRIPTION:</b> .045 [1.14] SQ POST POWER BLOCK ASSEMBLY, .200 [5.08]
F:\DWG\MISC\MKTG\XFWS-XX-XX-XX-S-XX-X-MKT.SLDDRW		DWG. NO. <b>XFWS-XX-XX-XX-S-XX-X</b>	BY: T. WERNE 9/27/2000 SHEET 1 OF 2

FIG 2

-VS: VERTICAL SURFACE MOUNT OPTION

-01 & -02 LEAD STYLES ONLY  
(HFWS-08-01-TX-S-VS SHOWN)

[DIFFERENT AS SHOWN, OTHERWISE SAME AS THRU HOLE]



**TABLE 2: -VS OPTION**

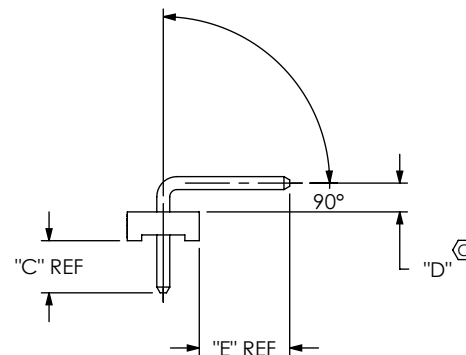
TERMINAL	"B" POST HEIGHT	"C" TAIL DIM. (AFTER BEND)	"F" TAIL DIM (BEFORE BEND)
T-1S8-01-TX	0.422 [10.72]	.340 [8.64]	.228 [5.79]
T-1S8-02-TX	0.482 [12.24]	.330 [8.38]	.218 [5.54]

FIG 3

-RA: RIGHT ANGLE (POST) OPTION

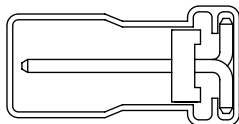
-02 & -04 STYLES ONLY  
(XFWS-XX-XX-TX-S-RA SHOWN)  
SEE NOTE 9

[DIFFERENT AS SHOWN, OTHERWISE SAME AS THRU HOLE]



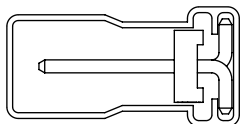
**TABLE 3: -RA OPTION**

STYLE	TERMINAL	"B" IN-PROCESS POST	"C" TAIL DIM.	"D" PROFILE	"E" FINAL POST
-02	T-1S8-02-TX	.520 [13.21]	.180 [4.57]	.100 [2.54]	.318 [8.08]
-04	T-1S8-04-TX	.829 [21.06]	.156 [3.96]	.195 [4.95]	.544 [13.82]



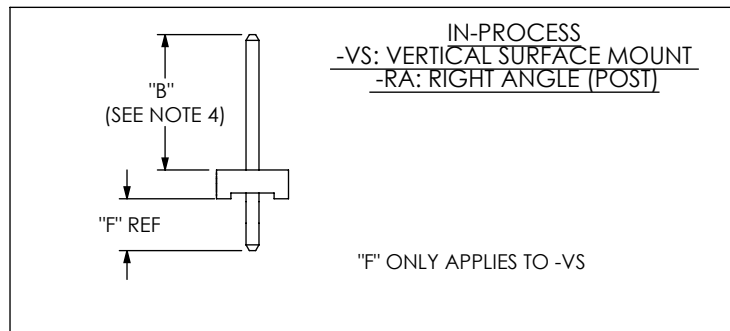
XFWS-XX-02-XX-XX-S-VS

**PACKAGING VIEW**  
USE PT-XFWS001-VS TUBE  
USE TP-13 TUBE PLUG



XFWS-XX-01-XX-XX-S-VS

**PACKAGING VIEW**  
USE PT-XFWS001-VS TUBE  
USE TP-13 TUBE PLUG



F:\DWG\MISC\MKTG\XFWS-XX-XX-XX-S-XX-X-MKT.SLDDRW

-P: PICK & PLACE PAD

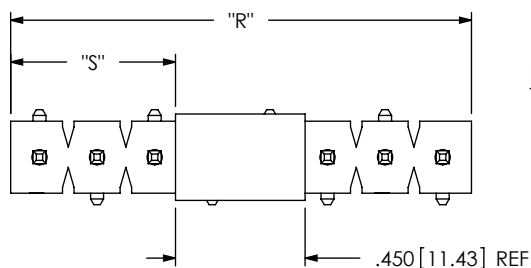
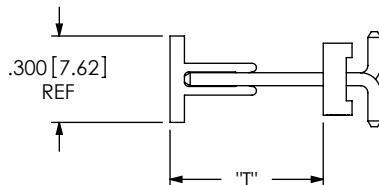


FIG 4

"R" = No OF POS x .200 [5.08] REF  
"S" = (( "R" - .450 [11.43] ) / 2) ± .020 [ .51 ]  
"T" = POST HEIGHT + .050 [ 1.27 ] REF



**PROPRIETARY NOTE**

THIS DOCUMENT CONTAINS INFORMATION CONFIDENTIAL AND PROPRIETARY TO SAMTEC, INC. AND SHALL NOT BE REPRODUCED OR TRANSFERRED TO OTHER DOCUMENTS OR DISCLOSED TO OTHERS OR USED FOR ANY PURPOSE OTHER THAN THAT WHICH IT WAS OBTAINED WITHOUT THE EXPRESSED WRITTEN CONSENT OF SAMTEC, INC.

DO NOT SCALE DRAWING

SHEET SCALE: 1:0.666667



520 PARK EAST BLVD, NEW ALBANY, IN 47150  
PHONE: 812-944-6733 FAX: 812-948-5047  
e-Mail: info@SAMTEC.com code: 55322

DESCRIPTION:  
.045 [1.14] SQ POST POWER BLOCK ASSEMBLY, .200 [5.08]

DWG. NO. **XFWS-XX-XX-XX-S-XX-X**

BY: T. WERNE 9/27/2000 SHEET 2 OF 2