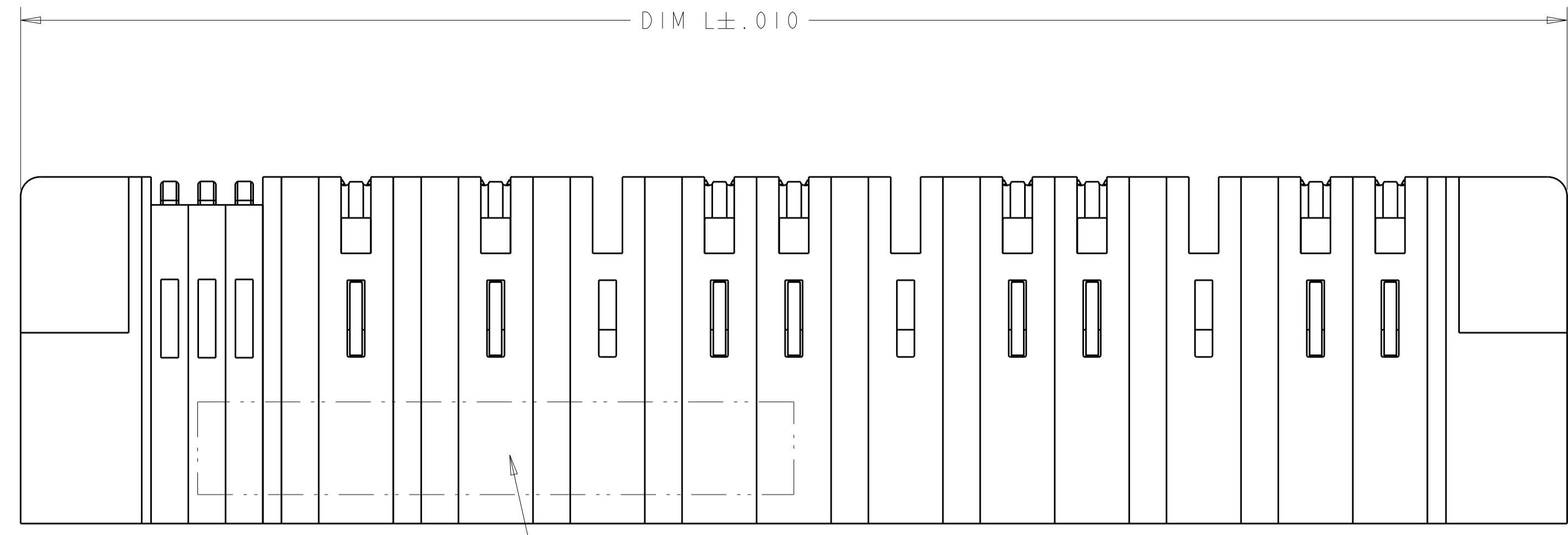
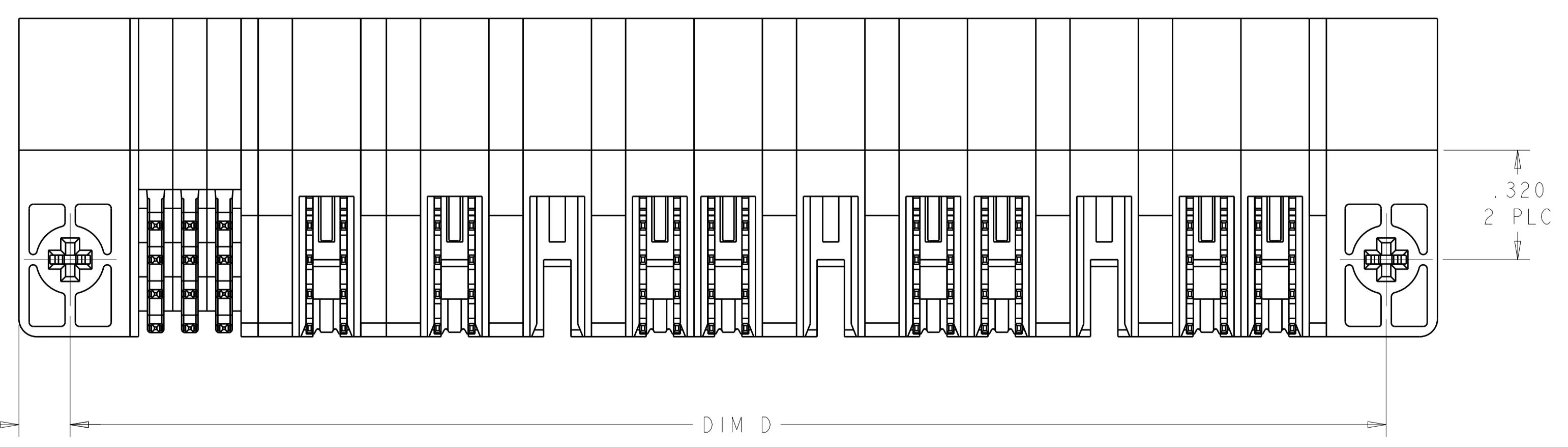
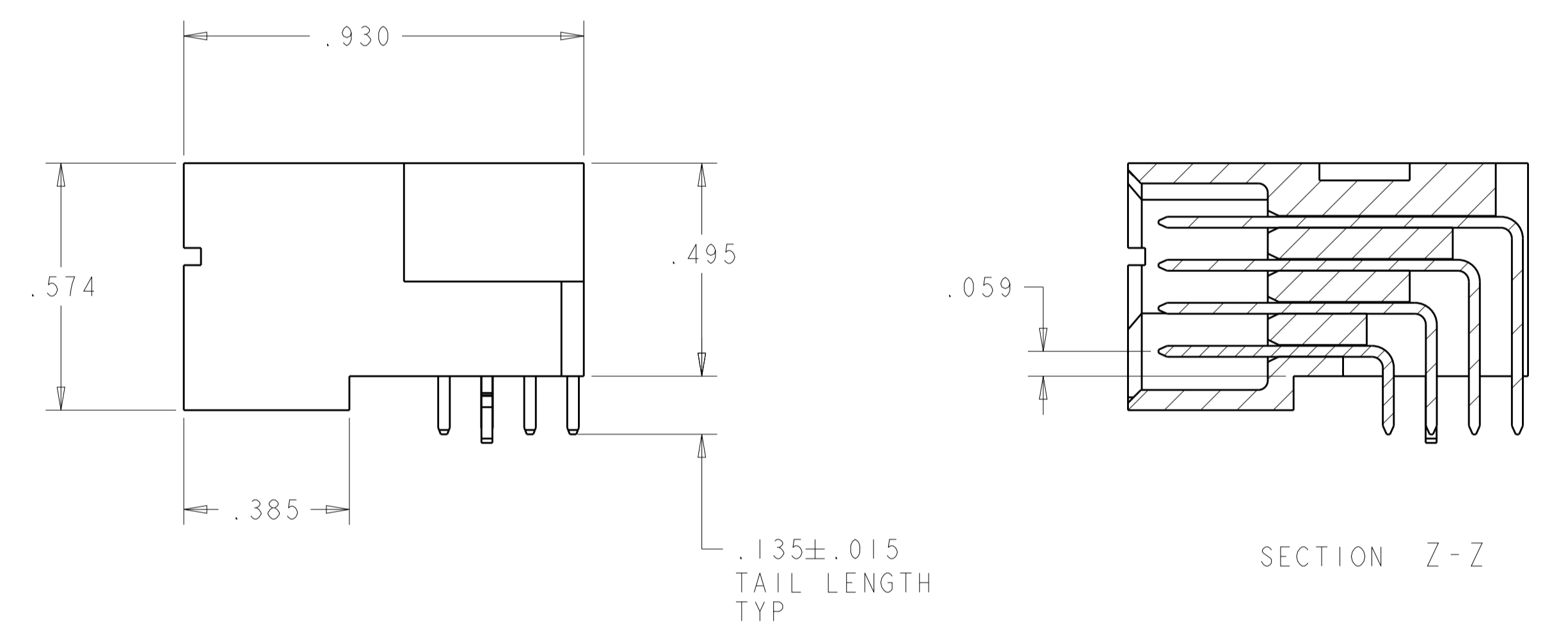
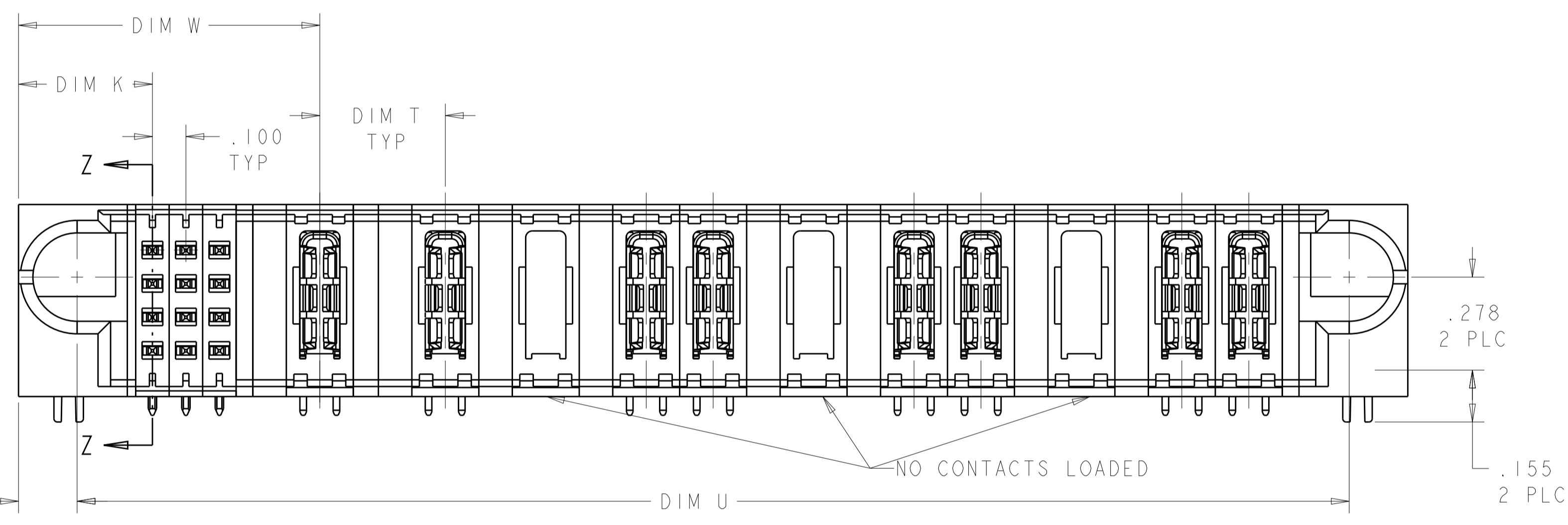


LOC	DIST	REVISIONS					
		P	LTN	DESCRIPTION	DATE	DWN	APVD
ES	00	B		REV PER ECR-07-012702	1JUN2007	DZ	SY
		B1		REVISED	04JUN2007	DZ	SY
		C		PER REV ECR-08-032055	10DEC2008	KT	SY
		C1		PER REV ECR-08-032624	24DEC2008	KT	SY



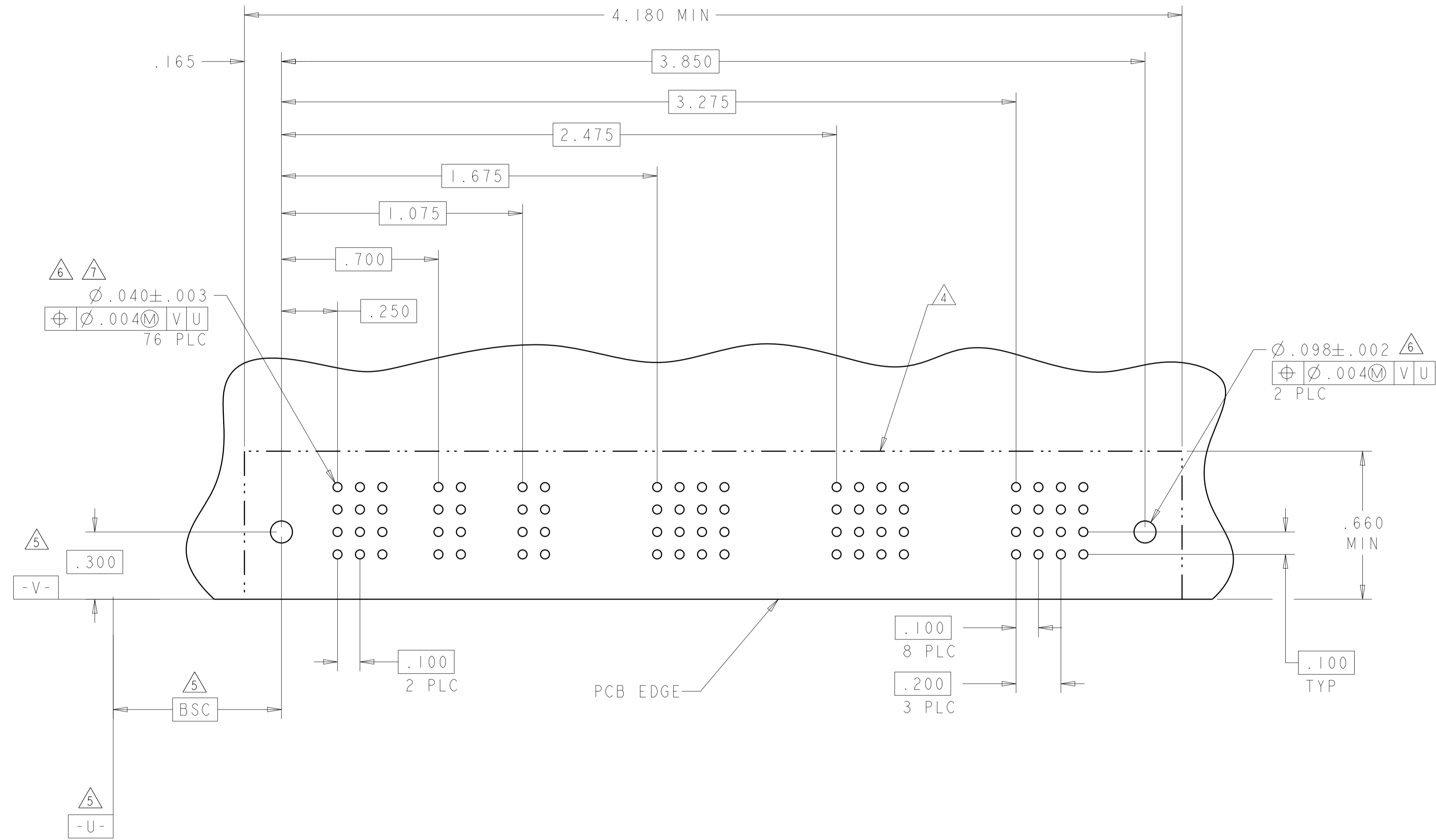
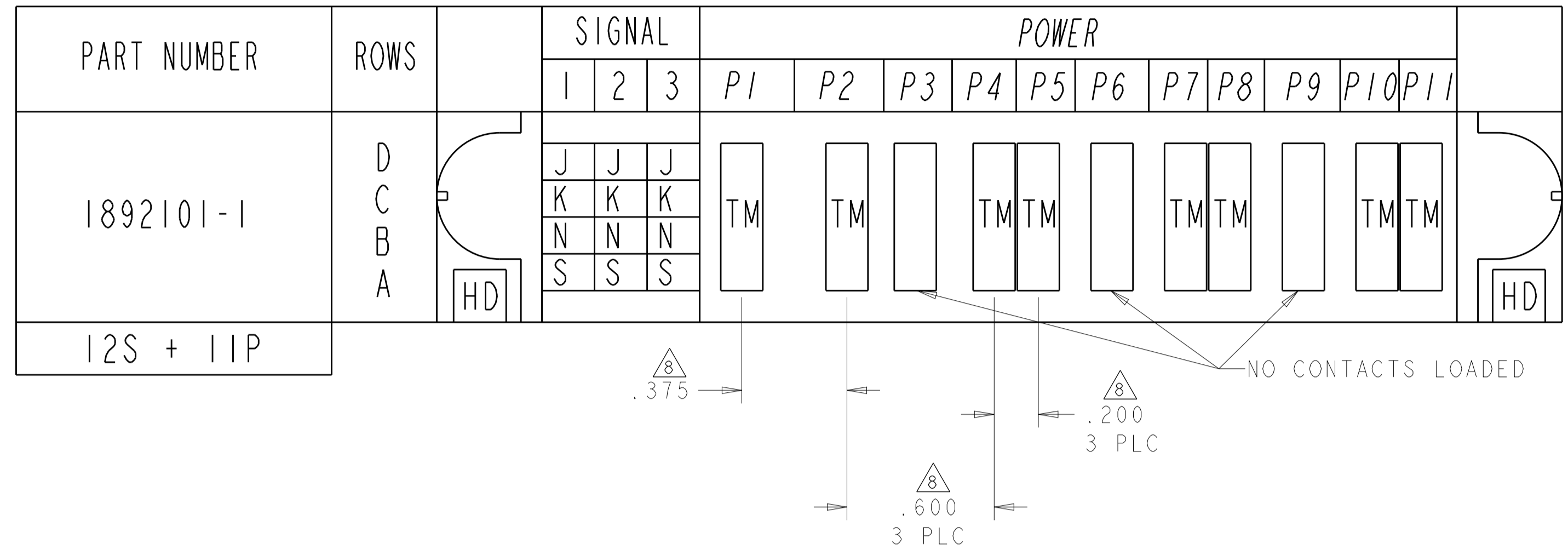
- ① PART NUMBER, AND DATE CODE MARKED IN AREA SHOWN.
- ② MATERIAL:
 HOUSING - GLASS FILLED HIGH TEMP THERMO PLASTIC, UL94 V-0
 SIGNAL CONTACT - COPPER ALLOY
 POWER CONTACT - HIGH CONDUCTIVITY COPPER ALLOY
- ③ CONTACT PLATING: NOBLE METAL PLATING ON CONTACT FUNCTIONAL AREA OF POWER AND SIGNAL CONTACTS.
- ④ MECHANICAL CONNECTOR KEEP OUT ZONE.
- ⑤ DATUM AND BASIC DIMENSIONS ESTABLISHED BY CUSTOMER.
- ⑥ PCB - ALL HOLE DIAMETERS ARE FINISHED HOLE SIZES.
- ⑦ PCB - $.0453 \pm .0010$ DRILLED HOLES PLATED WITH $.0003$ MIN Sn OVER $.001$ TO $.003$ Cu PLATING TO ACHIEVE A $.040$ HOLE.
- ⑧ VARIABLE DIMENSION SHOW ON (SHEET 2).



.250	4.450	4.400	1.050	.375	4.750	24S+14P	1892101-3
.300	1.625	1.575	1.150	.400	1.925	24S + 2ACP	1892101-2
⑧	3.850	3.800	.900	.400	4.150	12S + 11P	1892101-1
DIM T	DIM D	DIM U	DIM W	DIM K	DIM L	DESCRIPTION	PART NUMBER

DIMENSIONS: INCHES 		TOLERANCES UNLESS OTHERWISE SPECIFIED: 0 PLC ±. 1 PLC ±.01 2 PLC ±.01 3 PLC ±.005 4 PLC ±.0020 ANGLES ±.020		DWN C.ZHOU 09MAY2007 CHK S.YAO 09MAY2007 APVD S.YAO NAME PRODUCT SPEC 108-1973 APPLICATION SPEC 114-13038 WEIGHT CUSTOMER DRAWING		Tyco Electronics Corporation Shanghai, P.R.China. 200233 RIGHT ANGLE HEADER ASSEMBLY W/GUIDES AND HOT PLUG CONTACTS MULTI-BEAM XL SIZE CAGE CODE DRAWING NO A100779C=1892101 SCALE 4:1 SHEET 1 OF 3 REV C2	
---------------------------	--	---	--	--	--	---	--

LOC	DIST	REVISIONS			
P	LTN	DESCRIPTION	DATE	DNW	APVD
-	-	SEE SHEET 1	-	-	-

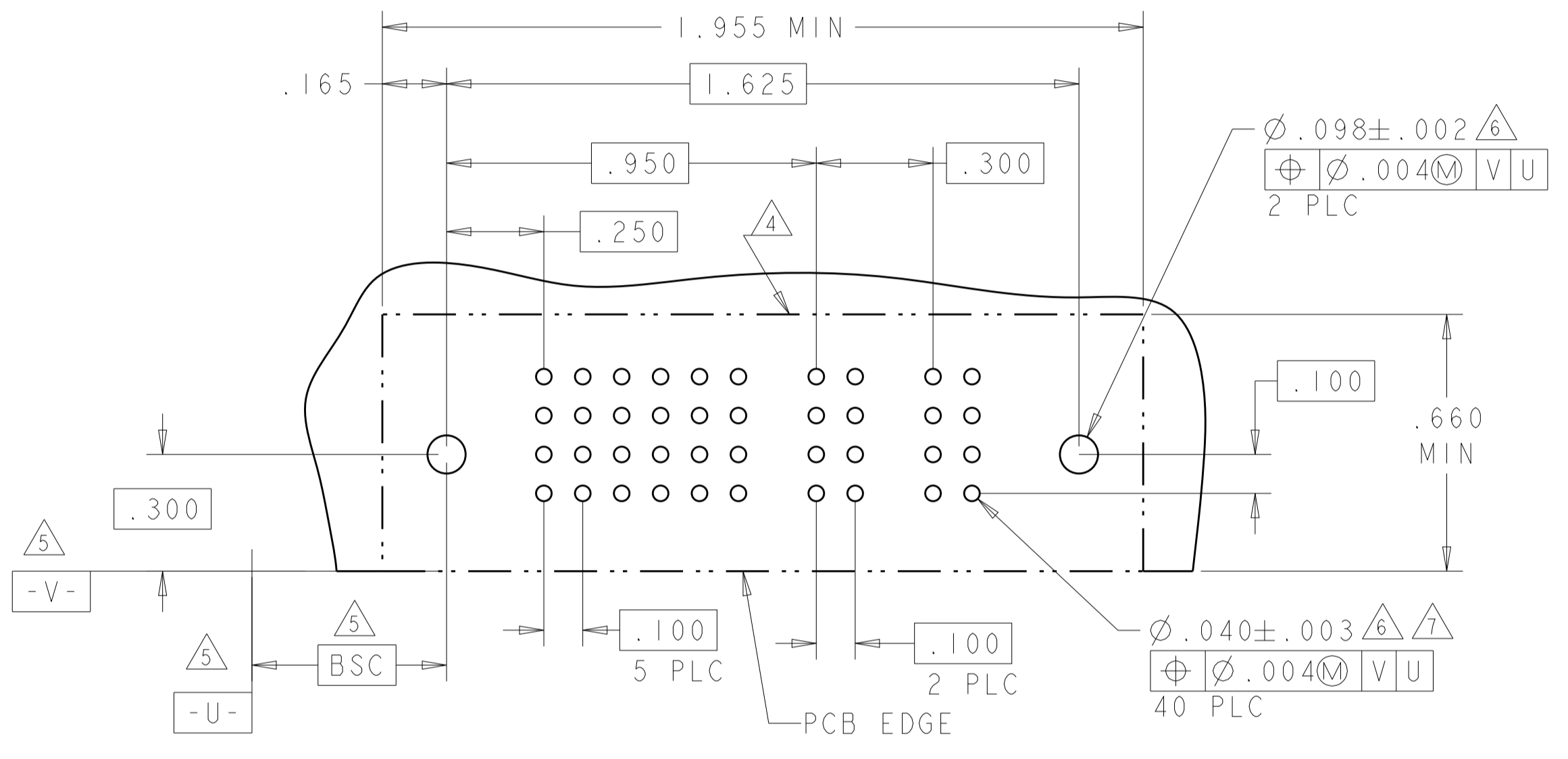


ROW	DESCRIPTION	CODE
D	SIGNAL CONTACT, STD	J
C	SIGNAL CONTACT, STD	K
B	SIGNAL CONTACT, STD	N
A	SIGNAL CONTACT, STD	S
-	STD HOT PLUG POWER CONTACT	TM

<small>THIS DRAWING IS UNPUBLISHED. RELEASED FOR PUBLICATION. IT IS THE PROPERTY OF TYCO ELECTRONICS CORPORATION AND IS TO BE USED FOR THE EXCLUSIVE USE OF THE CUSTOMER. IT IS THE CUSTOMER'S RESPONSIBILITY TO OBTAIN THE LATEST REVISIONS.</small>		DNW C. ZHOU 09MAY2007 CHK S. YAO 09MAY2007 APVD S. YAO	Tyco Electronics Corporation Shanghai, P.R. China. 200233
DIMENSIONS: INCHES 	TOLERANCES UNLESS OTHERWISE SPECIFIED: 0 PLC ±. 1 PLC ±.01 2 PLC ±.01 3 PLC ±.005 4 PLC ±.002 ANGLES ±.020 FINISH	NAME RIGHT ANGLE HEADER ASSEMBLY W/GUIDES AND HOT PLUG CONTACTS MULTI-BEAM XL PRODUCT SPEC 108-1973 APPLICATION SPEC 114-13038 WEIGHT - CUSTOMER DRAWING	SIZE A1100779C=1892101 SHEET 2 OF 3 REV C2

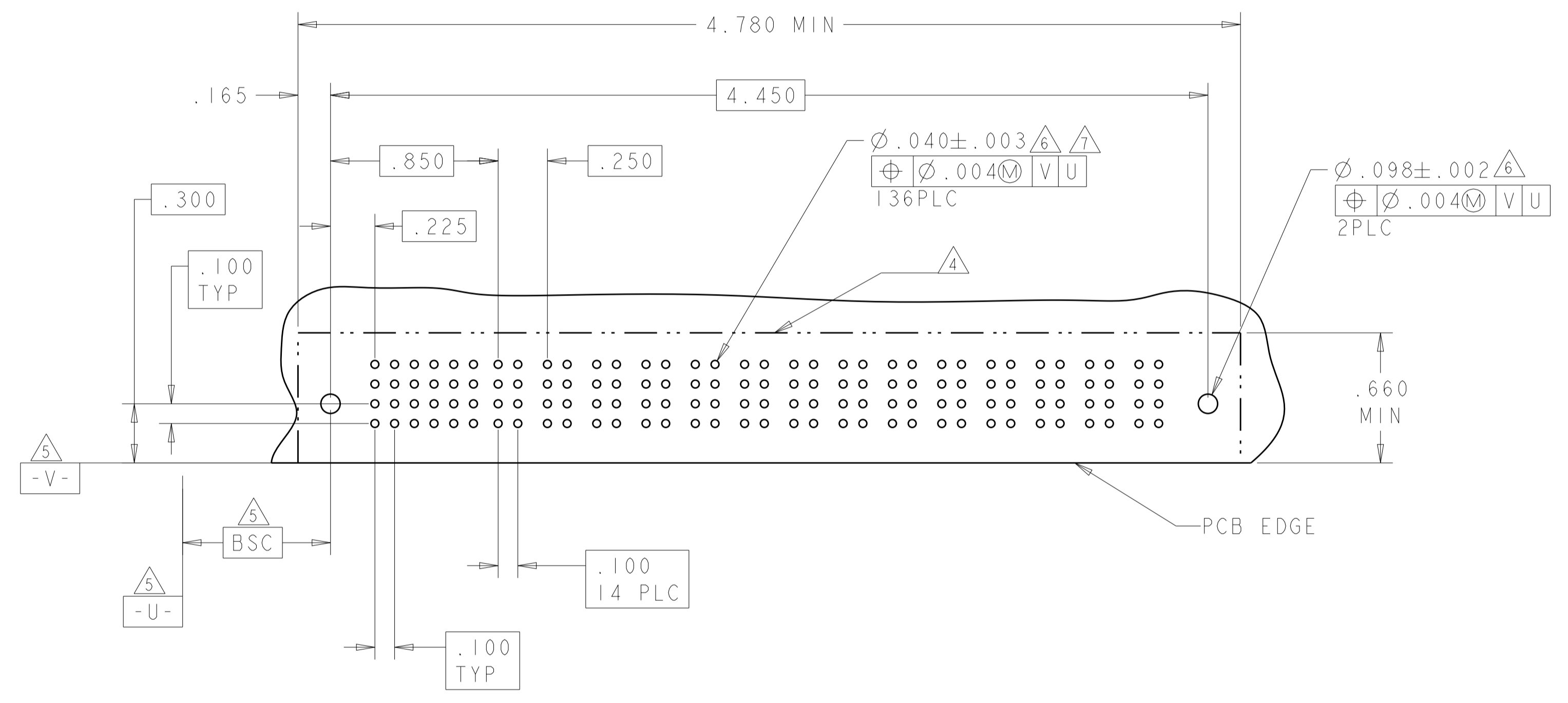
LOC	DIST	REVISIONS					
ES	00	P	LTN	DESCRIPTION	DATE	DWN	APVD
-	-	-	-	SEE SHEET 1	-	-	-

PART NUMBER	ROWS	SIGNAL						P1	P2
		1	2	3	4	5	6		
1892101-2	D	J	J	J	J	J	J	TM	TM
	C	K	K	K	K	K	K		
	B	N	N	N	N	N	N		
24S + 2ACP	A	S	S	S	S	S	S		



PART NUMBER	ROWS	SIGNAL						POWER															
		1	2	3	4	5	6	P1	P2	P3	P4	P5	P6	P7	P8	P9	P10	P11	P12	P13	P14		
1892101-3	D	J	J	J	J	J	J	TM	TM	TM	TM	TM	TM	TM	TM	TM	TM	TM	TM	TM	TM	TM	TM
	C	K	K	K	K	K	K																
	B	N	N	N	N	N	N																
	A	S	S	S	S	S	S																

24S + 14P



<small>THIS DRAWING IS UNPUBLISHED. IT IS THE PROPERTY OF TYCO ELECTRONICS CORPORATION. IT IS TO BE USED ONLY FOR THE PURPOSES AND IN THE QUANTITIES SPECIFIED IN THE ORDER. IT IS TO BE RETURNED TO TYCO ELECTRONICS CORPORATION IF NOT SO USED.</small>		DWN C. ZHOU 09MAY2007 CHK S. YAO 09MAY2007 APVD S. YAO	Tyco Electronics Tyco Electronics Corporation Shanghai, P.R. China. 200233
DIMENSIONS: INCHES 	TOLERANCES UNLESS OTHERWISE SPECIFIED: 0 PLC ±. 1 PLC ±.01 2 PLC ±.01 3 PLC ±.005 4 PLC ±.0020 ANGLES ±.2°	NAME RIGHT ANGLE HEADER ASSEMBLY PRODUCT SPEC 108-1973 APPLICATION SPEC 114-13038 WEIGHT - CUSTOMER DRAWING	SIZE A1100779C=1892101 SCALE 4:1 SHEET 3 OF 3 REV C2