

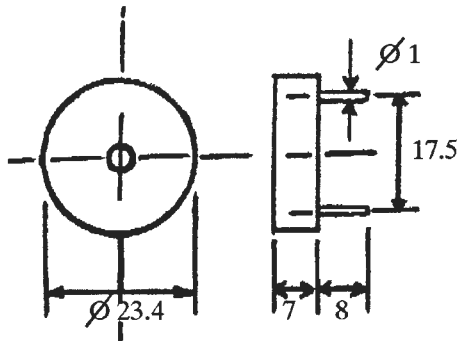
BRP2407-30 Series PIEZO BUZZER

SPECIFICATIONS:

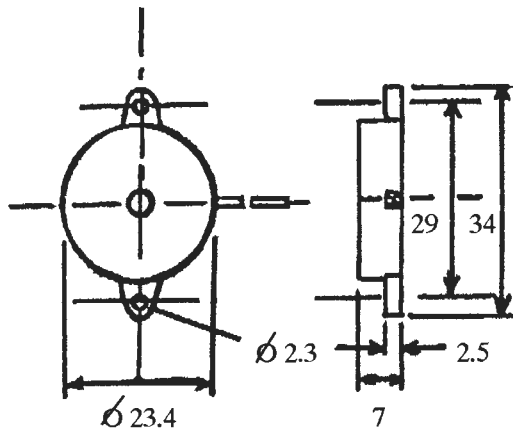
Operating Temperature: -20 to + 60 C

Model No.	Resonant Frequency	Resonant Resistance	Electrostatic Capacity	Max Input Voltage
BRP2407-30	5.6 ± 0.6 KHz	1500 ohm	$10000 \pm 30\%$ pF	30 V p-p

Dimensions in mm.



BRP2407P-30



BRP2407L-30

**INTERVOX
International** ©

INTERNATIONAL COMPONENTS CORPORATION
215 MCCORMICK DRIVE, BOHEMIA, NY 11716
FAX: 631-952-9595 FAX: 631-952-9597

Title:

Piezo Buzzer

Intervox Model #

BRP2407-30

Rev
A

Scale

Date:

12/ 7/92

Sheet 1 of 1