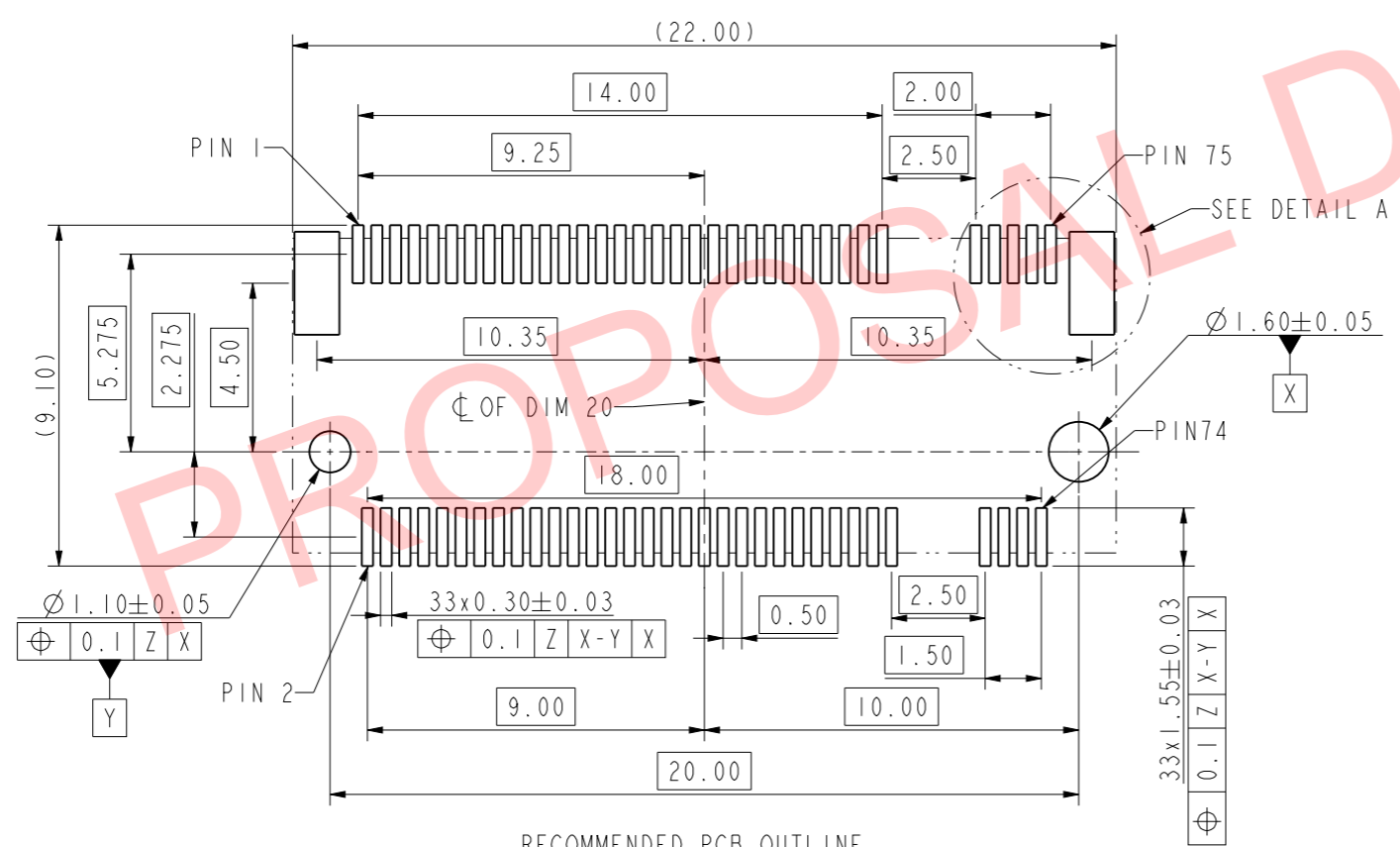
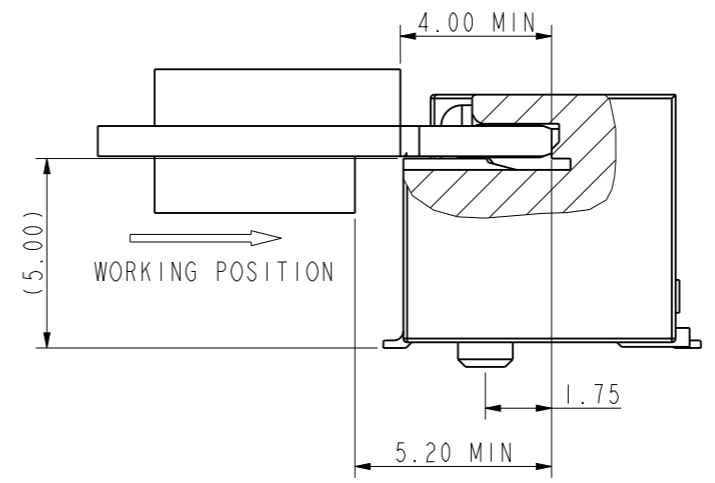
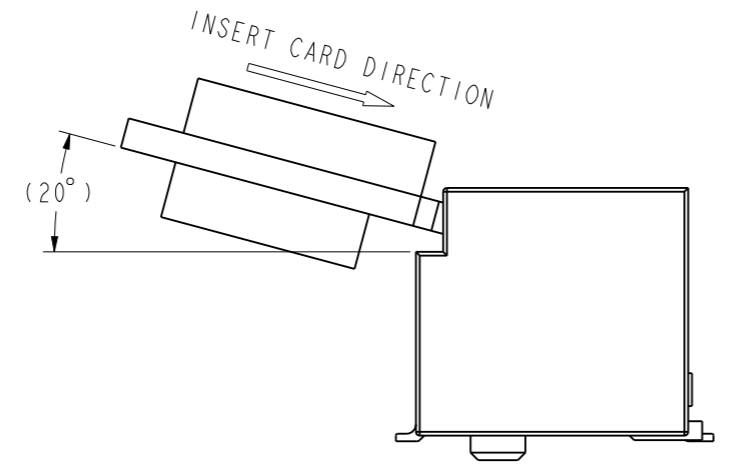


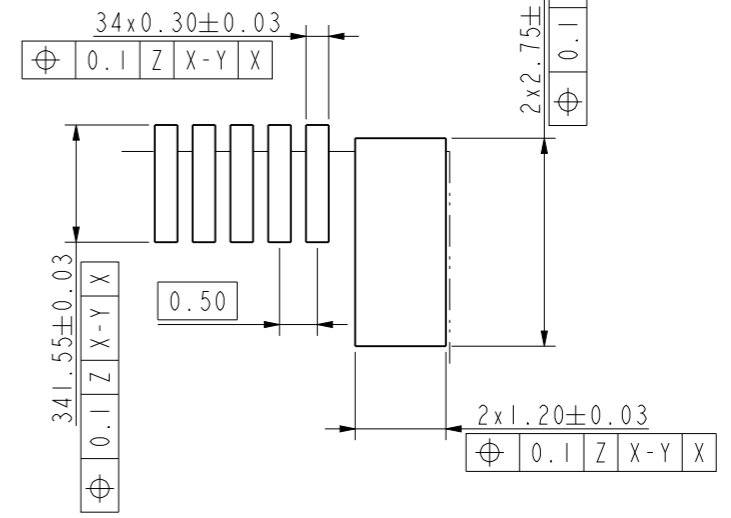
- NOTES:
- MATERIAL:
 PLASTIC: LCP, UL 94V-0, BLACK
 CONTACT: COPPER ALLOY
 BOARD LOCK: COPPER ALLOY
 - FINISHED:
 CONTACT AREA: 0.76um MIN Au PLATED
 SOLDER AREA: GOLD FLASH
 BOARD LOCK: 2.54um MIN MATTE PURE TIN PLATED
 UNDERPLATED: 1.27um MIN Ni PLATED
 - ELECTRICAL PERFORMANCE:
 INSULATION RESISTANCE: 500MΩ MIN
 OPERATION TEMPERATURE: -40°C TO +85°C
 - DIMENSIONING SHALL BE INTERPRETED PER ASME Y14.5M 1994
 - MATERIAL SHOULD BE FULFILLED AMPHENOL SPEC# S-SN-002 FOR HALOGEN FREE PRODUCTS, ALSO NEED TO MEET # S-SN-004
 - ORDER P/N: MDT670M01501

spec ref	dr	Yunx	Jan.12,2021	Amphenol mm scale 5:1 size A3	ecn no	rel level
tolerance std	eng	Yunx	Jan.12,2021		rel level	
TOLERANCES UNLESS OTHERWISE SPECIFIED linear 0.X ±0.50 0.XX ±0.25 0.XXX ±0.15 angular 0° ±5°	r vwr	Rocky	Jan.12,2021		rel level	
	appr				rel level	
surface	projection	title M.2 MINI PCIe Gen5 CONNECTOR		product family	cat. no. CMDT670M01501	rev 1
				sheet 1 of 3		

M.2 MODULE INSERTING

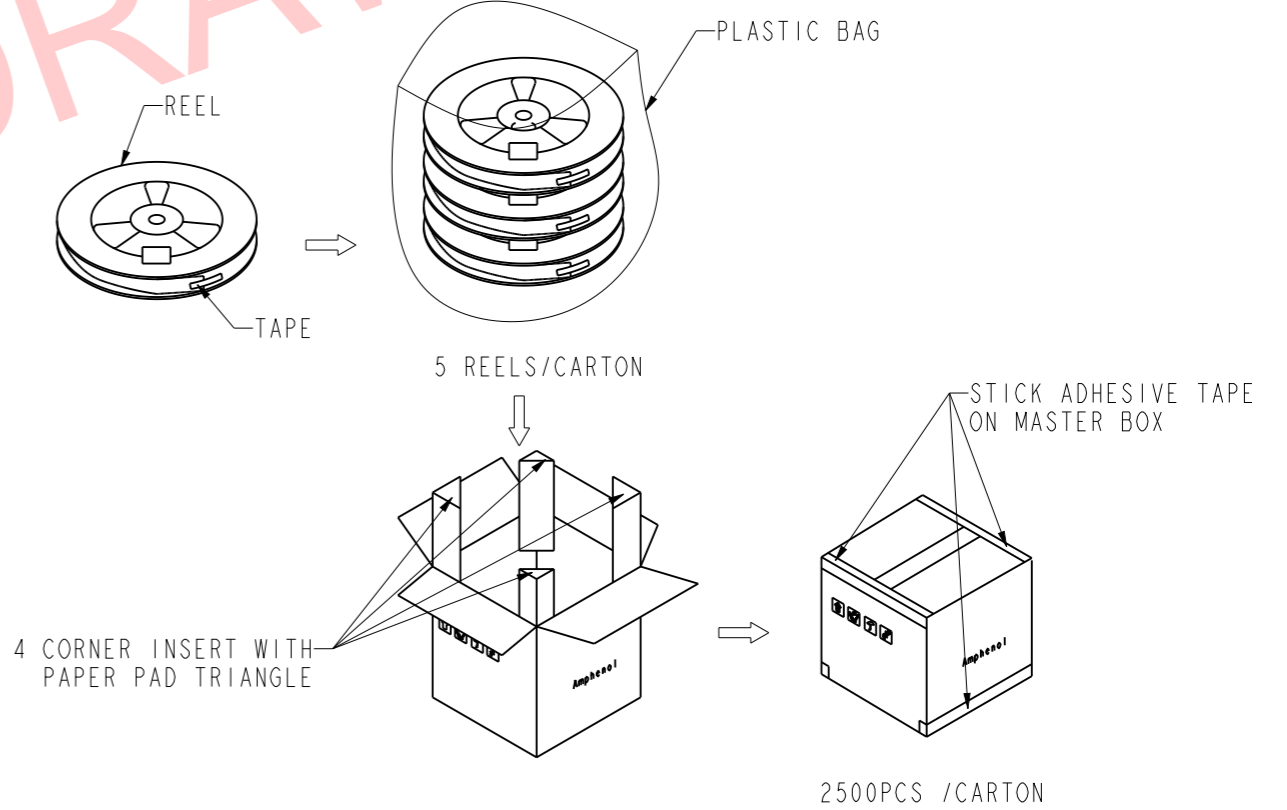
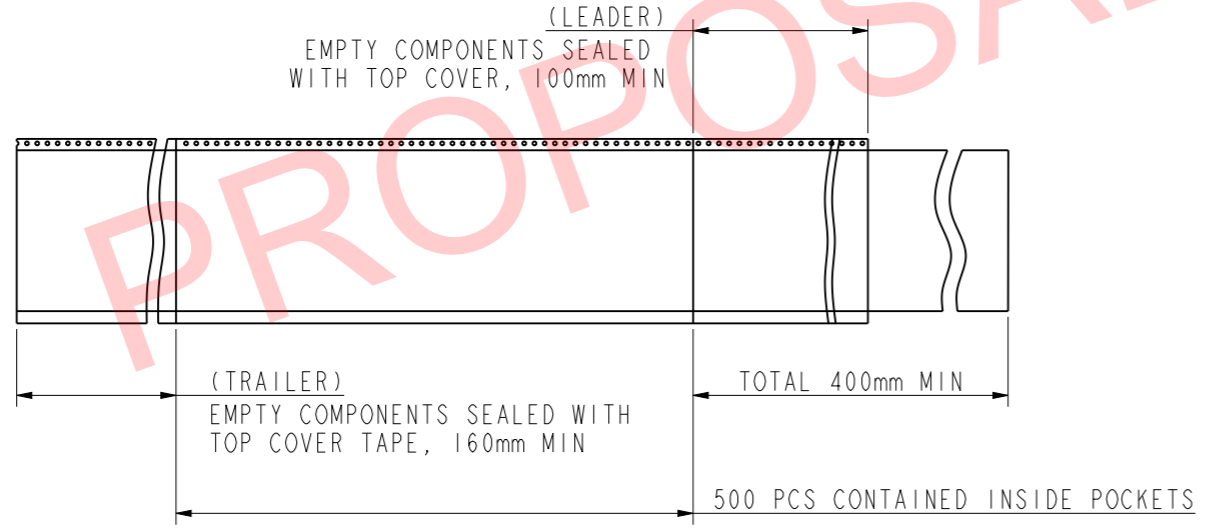
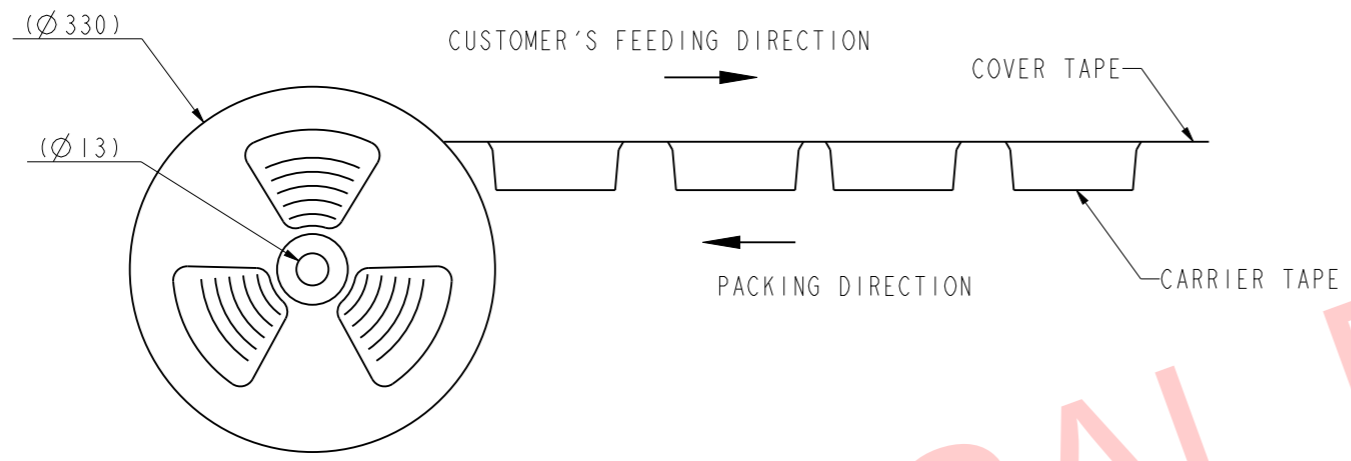
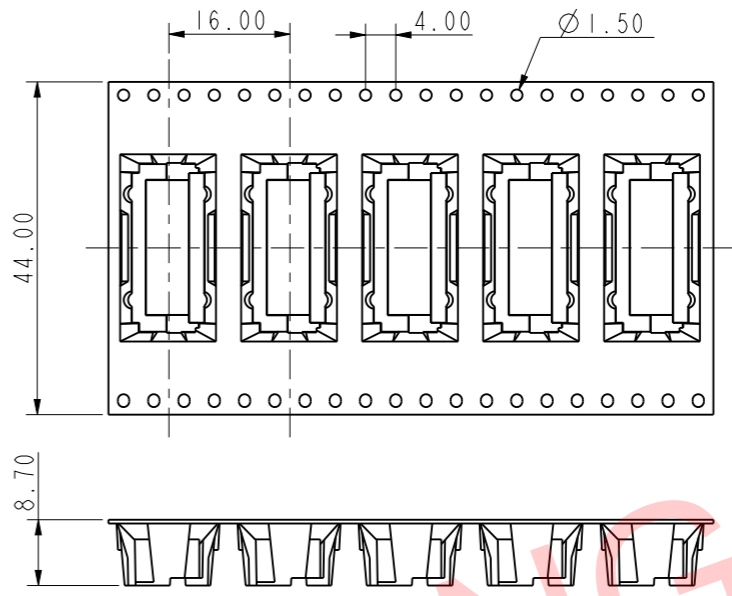
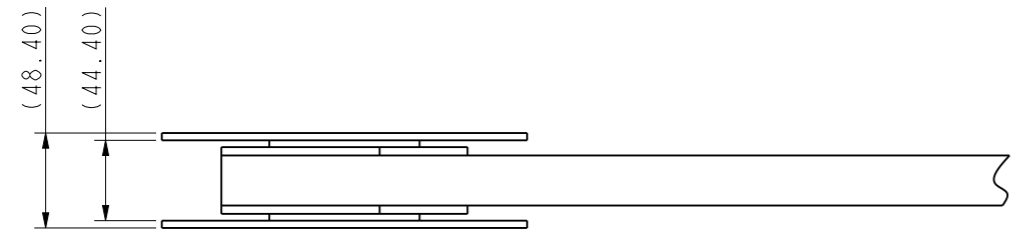


RECOMMENDED PCB OUTLINE
DATUM Z: PCB SOLDER SURFACE



DETAIL A
SCALE 10:1

spec ref	dr	Yunx	Jan.12,2021	Amphenol mm scale 5:1 size A3
tolerance std	eng	Yunx	Jan.12,2021	
TOLERANCES UNLESS OTHERWISE SPECIFIED surface ✓ linear	r vwr	Rocky	Jan.12,2021	
	appr			
	projection			amphenol-icc.com rel level
	linear	0.X	±0.50	title M.2 MINI PCIe Gen5 CONNECTOR product family
		0.XX	±0.25	cat. no. CMDT670M01501 rev 1
		0.XXX	±0.15	sheet 2 of 3
	angular	0°	±5°	



spec ref		dr	Yunx	Jan.12,2021	Amphenol	mm	scale	size
tolerance std		eng	Yunx	Jan.12,2021			5:1	A3
TOLERANCES UNLESS OTHERWISE SPECIFIED		r vwr	Rocky	Jan.12,2021			ecn no	
		appr					rel level	
surface	linear	0.X	±0.50	projection	title	M.2 MINI PCIe	cat. no.	rev
		0.XX	±0.25					
	0.XXX	±0.15						
	angular	0°	±5°			Gen5 CONNECTOR		I
		product family				sheet 3 of 3		