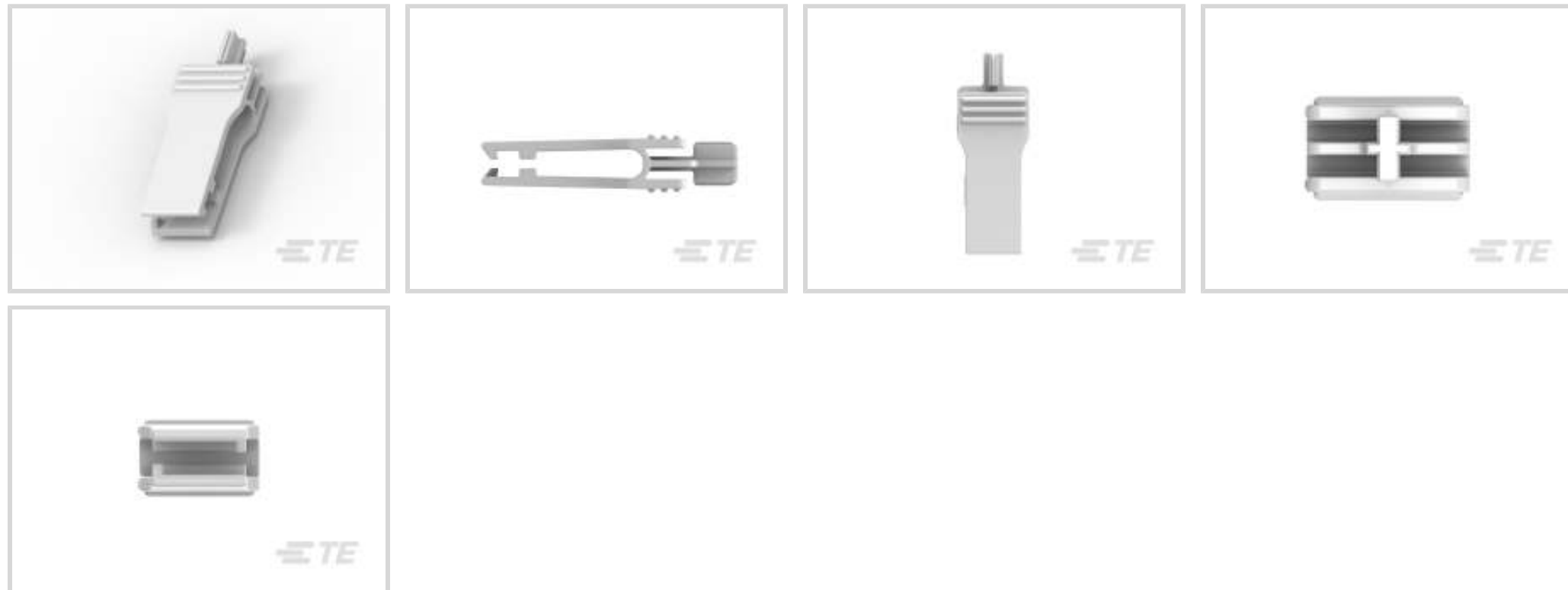




Connectors > Automotive Connectors > Automotive Connector Accessories > Other Automotive Connector Accessories



Automotive Connector Accessory Type: **Fuse Puller**

Primary Product Material: **PA66**

Primary Product Color: **Natural**

Features

Product Type Features

Automotive Connector Accessory Type	Fuse Puller
-------------------------------------	-------------

Body Features

Primary Product Material	PA66
Primary Product Color	Natural

Packaging Features

Packaging Quantity	1
Packaging Method	Package

Other

Serviceable	No
-------------	----

Product Compliance

[For compliance documentation, visit the product page on TE.com>](#)

EU RoHS Directive 2011/65/EU	Compliant
EU ELV Directive 2000/53/EC	Compliant
China RoHS 2 Directive MIIT Order No 32, 2016	No Restricted Materials Above Threshold
EU REACH Regulation (EC) No. 1907/2006	Current ECHA Candidate List: JUNE 2023 (235)




Candidate List Declared Against: JUNE 2023 (235)
Does not contain REACH SVHC

Halogen Content	Low Halogen - Br, Cl, F, I < 900 ppm per homogenous material. Also BFR/CFR/PVC Free
Solder Process Capability	Not applicable for solder process capability

Product Compliance Disclaimer

This information is provided based on reasonable inquiry of our suppliers and represents our current actual knowledge based on the information they provided. This information is subject to change. The part numbers that TE has identified as EU RoHS compliant have a maximum concentration of 0.1% by weight in homogenous materials for lead, hexavalent chromium, mercury, PBB, PBDE, DBP, BBP, DEHP, DIBP, and 0.01% for cadmium, or qualify for an exemption to these limits as defined in the Annexes of Directive 2011/65/EU (RoHS2). Finished electrical and electronic equipment products will be CE marked as required by Directive 2011/65/EU. Components may not be CE marked. Additionally, the part numbers that TE has identified as EU ELV compliant have a maximum concentration of 0.1% by weight in homogenous materials for lead, hexavalent chromium, and mercury, and 0.01% for cadmium, or qualify for an exemption to these limits as defined in the Annexes of Directive 2000/53/EC (ELV). Regarding the REACH Regulation, the information TE provides on SVHC in articles for this part number is based on the latest European Chemicals Agency (ECHA) 'Guidance on requirements for substances in articles' posted at this URL: <https://echa.europa.eu/guidance-documents/guidance-on-reach>

Compatible Parts



TE Part # CAT-AM7-FRB69
Sealed Fuse and Relay Boxes



TE Part # 1443996-4
COVER, 60 POS, W/O FUSE HLDNR/NO EXT TEXT



TE Part # 2098164-4
Cover, 60 Pos, No Fuse Graphic or Holder



TE Part # 109854-1
COVER WITH SEAL



TE Part # 1443996-2
COVER, 60 POS, W/O FUSE HOLDER



TE Part # 1443996-1
COVER, 60 POSITION



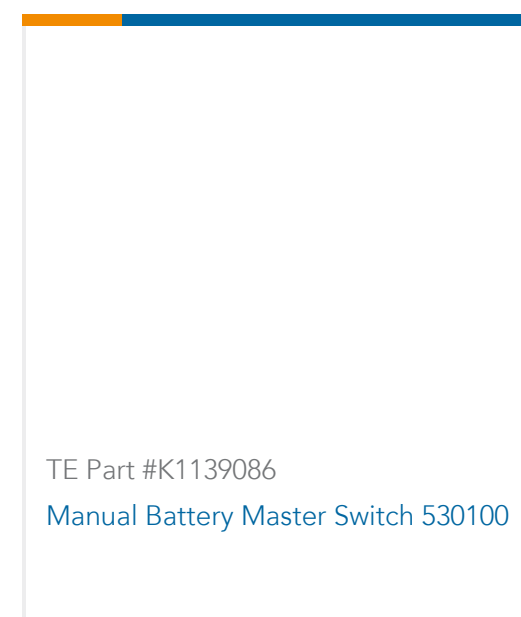
TE Part # 1443996-3
COVER, 60 POSITION - NO EXTERIOR TEXT



TE Part # 2318967-1
24POS,AMP MCP 2.8,REC HSG ASSY, SLD



Customers Also Bought



Documents

Product Drawings

FUSE PULLER

English

CAD Files

3D PDF

3D

Customer View Model

[ENG_CVM_CVM_1443998-1_O.2d_dxf.zip](#)

English

Customer View Model

[ENG_CVM_CVM_1443998-1_O.3d_igs.zip](#)

English

Customer View Model

[ENG_CVM_CVM_1443998-1_O.3d_stp.zip](#)

English

By downloading the CAD file I accept and agree to the [Terms and Conditions](#) of use.



Product Specifications

Product Specification

English