



### PRODUCT FEATURES

- Monitor and record serial data streams
- Easy to install, may be left in place
- Transparent connections
- No external power required

Tap in on a serial data stream and transparently feed another monitor, printer or other device.

Model **9PCDT** allows an RS-232 port to tap into and check data being transmitted between two other RS-232 ports. DIP switches set programming to monitor the main Transmit and Receive lines individually or together. Choose between monitoring the DCE or DTE port. Also allows the monitoring port to be either DTE or DCE. The DTE connector is male, and DCE and TAP connectors are female.

Model **232CDT** has DIP switches that allow you to monitor the main Transmit and Receive lines individually or together. The male RS-232 connector on the top and the female RS-232 connector on the bottom are connected straight through, pin for pin. These connectors are used to connect the device – in series – with the RS-232 line to be tapped.

### ORDERING INFORMATION

MODEL NUMBER	STRAIGHT THROUGH CONNECTORS	MONITORING PORT
9PCDT	(1) DB9 Male, (1) DB9 Female	DB9 Female
232CDT	(1) DB25 Male, (2) DB25 Female	DB25 Female

### ACCESSORIES

**9PAMF6** - DB9 Male To DB9 Female, 6 ft.

**232CAMS** - DB9 Female to DB25 Male, 6 in

**232AMF5** - DB25 Male to DB25 Female, 6 ft.

**232SGM** - DB25 Gender Reverser – Changes Female Port to Male (M to M)

**232SGF** - DB25 Gender Reverser – Changes Male Port to Female (F to F)

### SPECIFICATIONS

SERIAL TECHNOLOGY	
<b>RS-232</b>	
9PCDT	Straight Through Ports: (1) DB9 Male, (1) DB9 Female Monitoring Port: DB9 Female
232CDT	Straight Through Ports: (1) DB25 Male, (2) DB25 Female Monitoring Port: (1) DB25 Female
Installation	In-line
MECHANICAL	
Weight	9PCDT: 63.5 grams (0.14 lbs) 232CDT: 90.7 grams (0.2 lbs)
ENVIRONMENTAL	
Operating Temperature	0 to +70 °C (+32 to +185 °F)
Storage Temperature	-40 to +85 °C (-40 to +185 °F)
Operating Humidity	0 to 95% Non-Condensing
MTBF, 232CDT	1637197
MTBF Calc. Method	Parts Count Reliability Prediction
APPROVALS / CERTIFICATIONS - 9PCDT	
2011/65/EU - Reduction of Hazardous Substances Directive	
2012/19/EU - Waste Electrical and Electronic Equipment (WEEE)	

All product specifications are subject to change without notice.

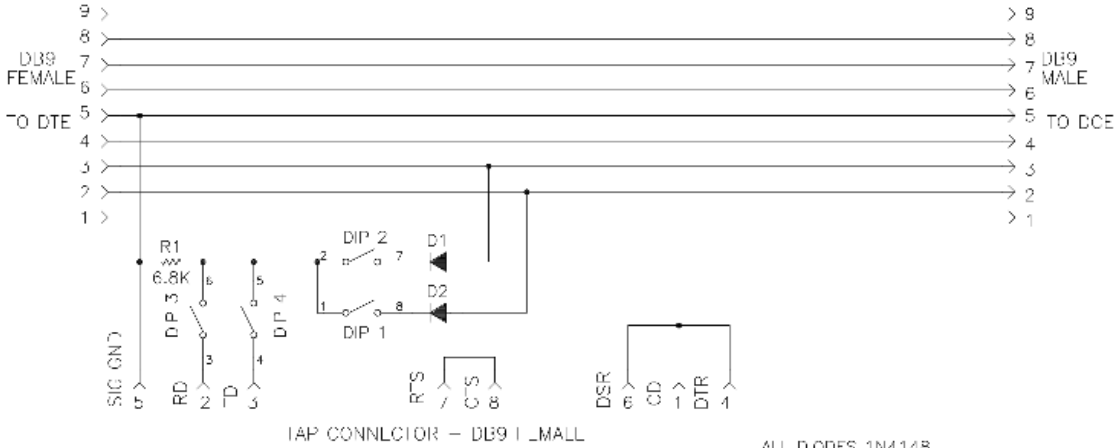
9PCDT & 232CDT\_1317ds

# RS-232 Data Taps

## 9PCDT, 232CDT

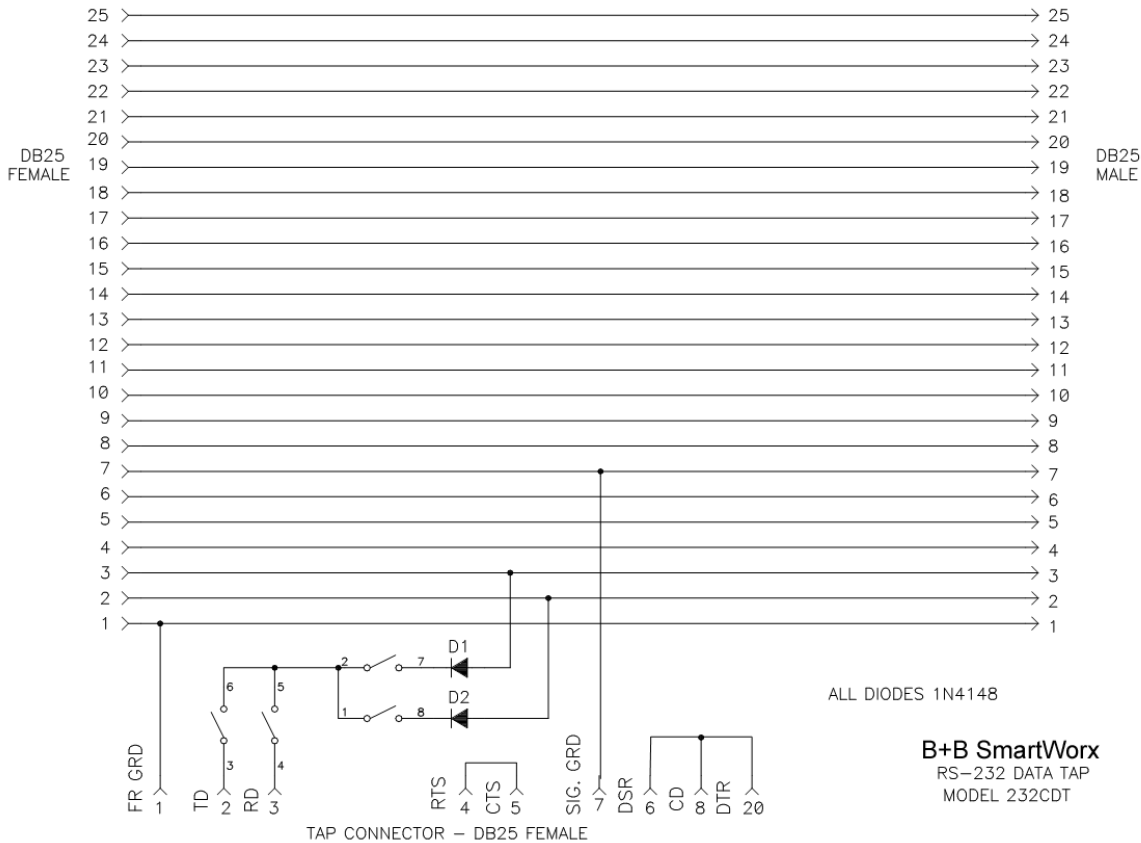


### SCHEMATIC - 9PCDT



ALL DIODES 1N4148  
 REV1 ADDED R1 FOR HIGHER BAUDRATE  
 SUPPORT (UP TO 115.2K) NEWER PC HAD  
 PROBLEM PULLING LINE DOWN OR TO -10V

### SCHEMATIC - 232CDT



ALL DIODES 1N4148

**B+B SmartWorx**  
 RS-232 DATA TAP  
 MODEL 232CDT