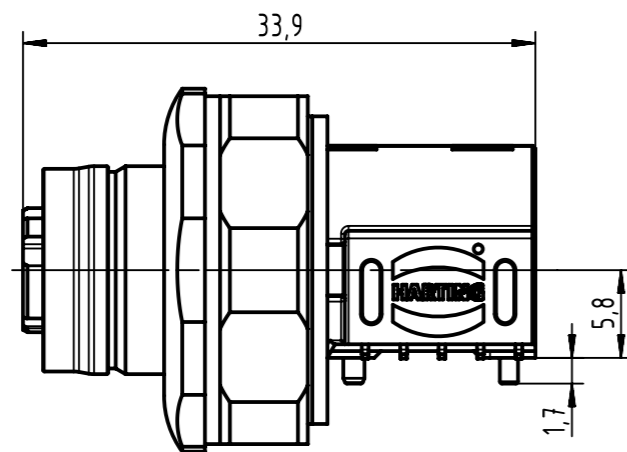
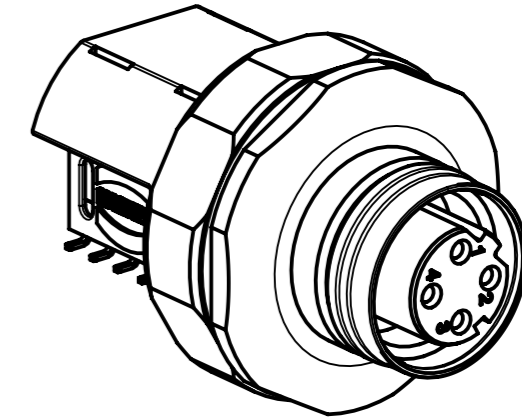
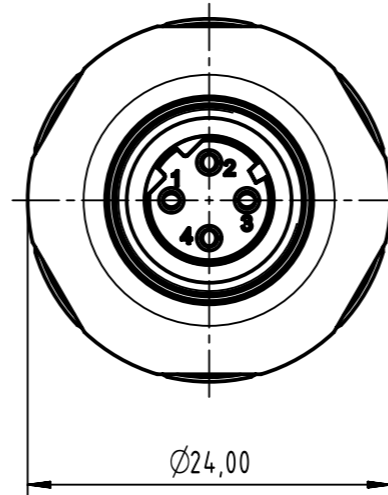



mating face based on
IEC 61076-2-101



1 PC Packaging
 Content: 1 x 21033814421
 M12 transformer angled D-coded 10/100 BASE-T
 1 x 21033012006
 Front mounting kits
 Further information see data sheet: 21 03 381 0201

	All rights reserved Department EL PD	All Dimensions in mm Original Size DIN A3			Scale 2:1	Free size tol.	Ref. Sub.
		Created by ZHUANGJ	Inspected by ZENGDO	Standardisation SCHREIER	Date 2020-08-27	State Final Release	
HARTING Electronics GmbH D-32339 Espelkamp		Title M12 WITH MAGNETICS D-CODED ANGLED POE+ FAST ETHERNET				Doc-Key / ECM-Nr. 100686310/UGD/004/D 500000178726	
		Type TB	Number 21033814422			Rev. D	Page 1/1