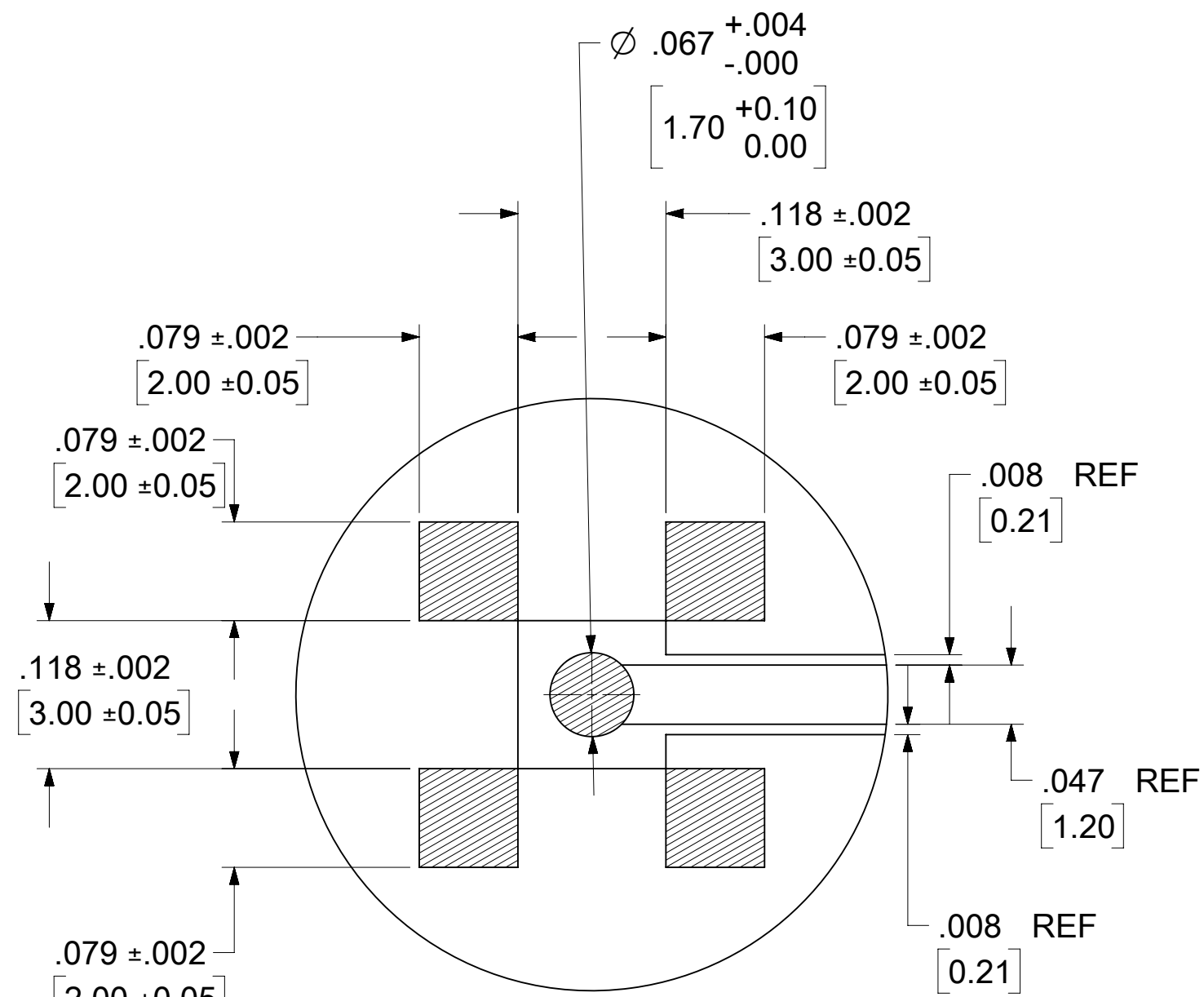
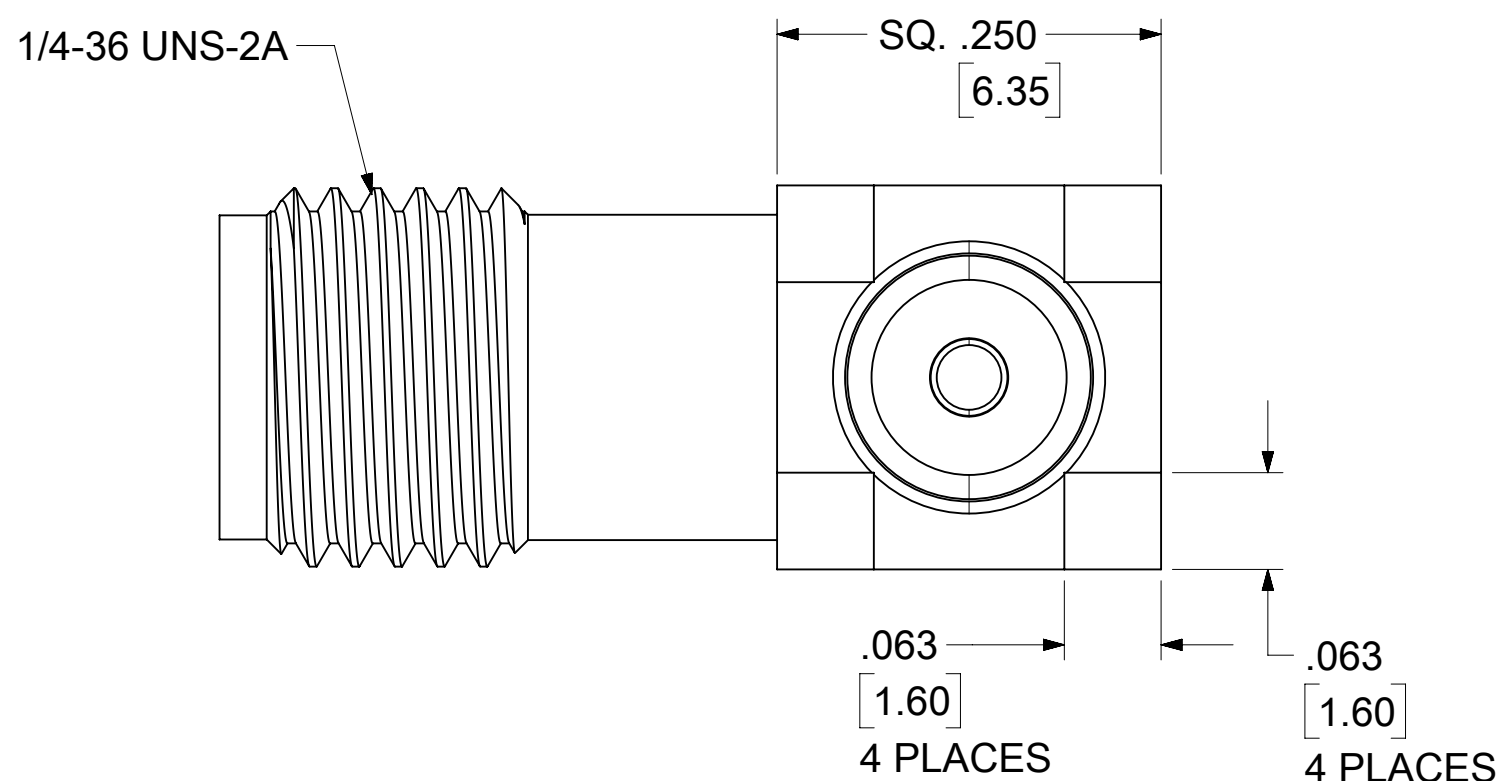
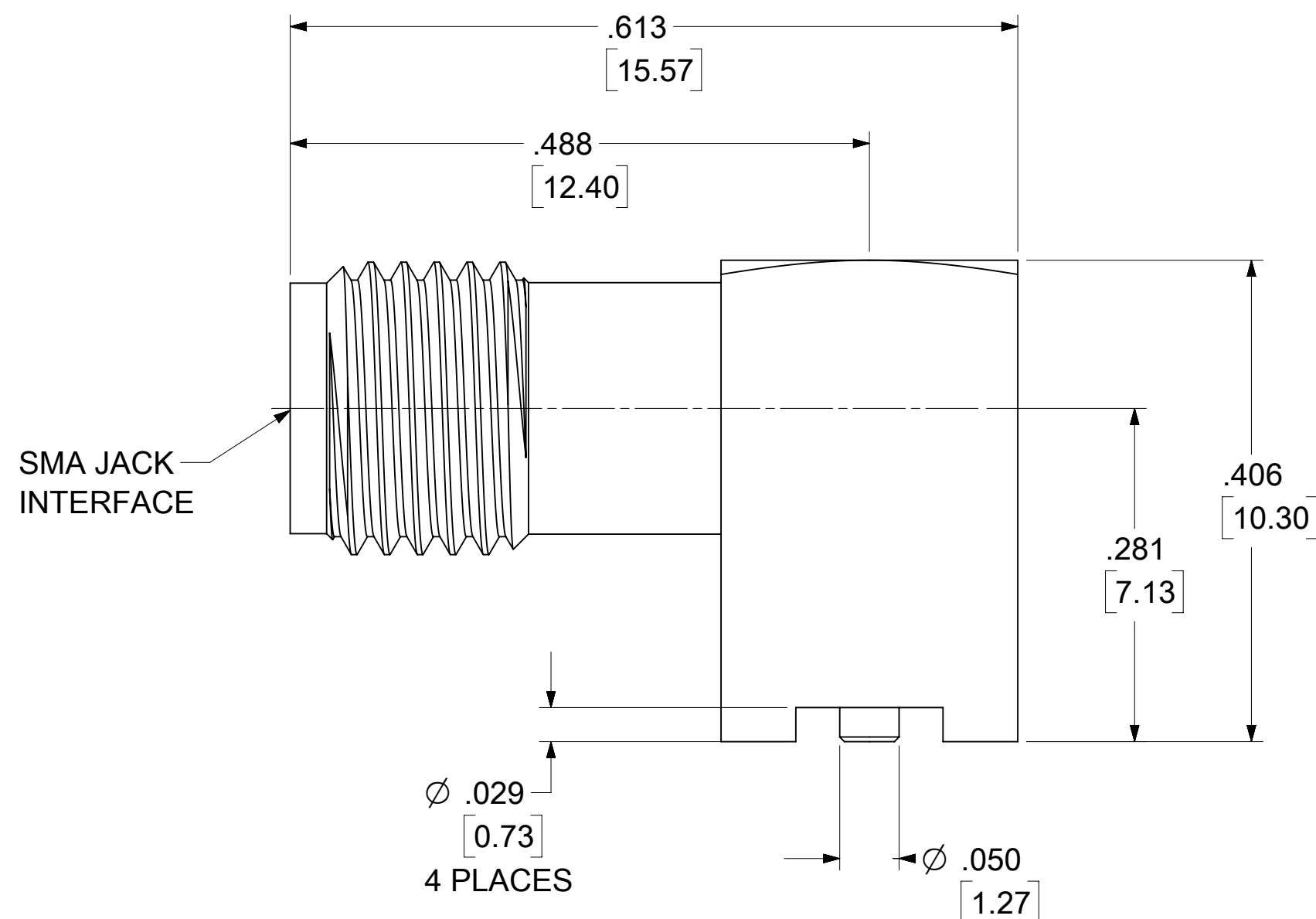
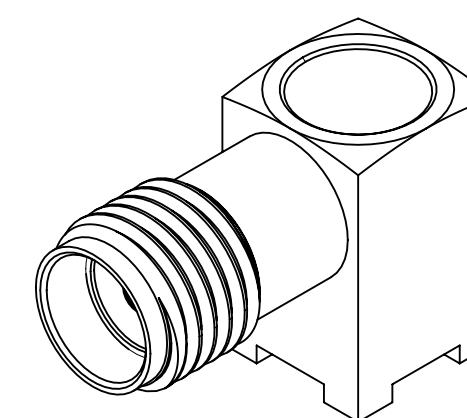


MATERIALS AND FINISHES:

BODY, COVER: BRASS  
PLATED GOLD

CENTER CONTACT: BERYLLIUM COPPER  
PLATED GOLD

INSULATOR: TEFLON



73251-2630	TRAY PER PK-89542-006
PART NO.	PACKAGING

PS-89675-346	ELECTRO/MECH PERF
MIL-STD-348A, FIG. 310.2	INTERFACE
SPECIFICATION	DESCRIPTION

FUNCTIONAL SYMBOLS	THIS DRAWING CONTAINS INFORMATION THAT IS PROPRIETARY TO MOLEX ELECTRONIC TECHNOLOGIES, LLC AND SHOULD NOT BE USED WITHOUT WRITTEN PERMISSION		CURRENT REV DESC: ADD PKG NOTE PWE EWR15214-A		<b>molex</b>		
	DIMENSION UNITS	SCALE					
$\frac{F}{A} = 0$	IN/MM	NTS	EC NO: 707209		SMA JACK, RIGHT ANGLE SMT, 50 OHMS EWR-2680, SMA-J/PCB		
$\frac{F}{C} = 0$	GENERAL TOLERANCES (UNLESS SPECIFIED)		DRWN: CWEI02 2022/05/17				
$\frac{F}{P} = 0$	ANGULAR TOL $\pm 2.0^\circ$		CHK'D: YCHENG 2022/05/20		PRODUCT CUSTOMER DRAWING		
DIVISIONAL SYMBOLS	4 PLACES $\pm$		APPR: YCHENG 2022/05/20				
	3 PLACES $\pm$		INITIAL REVISION:		DOCUMENT NUMBER		
	2 PLACES $\pm$		DRWN: SSHAH 2008/05/21				
	1 PLACE $\pm$		APPR: JWIENER 2008/05/21		DOC TYPE		
	0 PLACES $\pm$		DRAFT WHERE APPLICABLE MUST REMAIN WITHIN DIMENSIONS				
	THIRD ANGLE PROJECTION		DRAWING		DOC PART		
	C-SIZE		SERIES				
	73251		MATERIAL NUMBER		A2		
	SEE TABLE		CUSTOMER				
	SAFETY CAST		SHEET NUMBER				