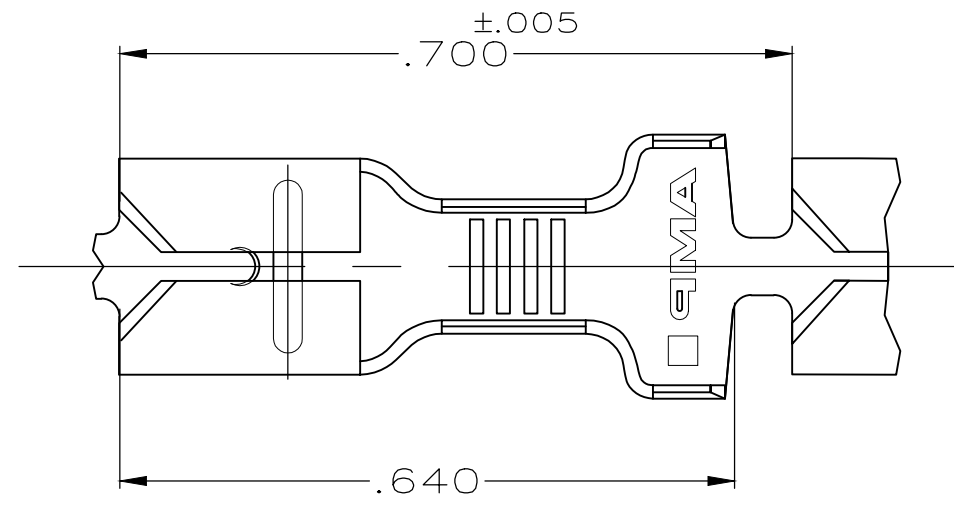


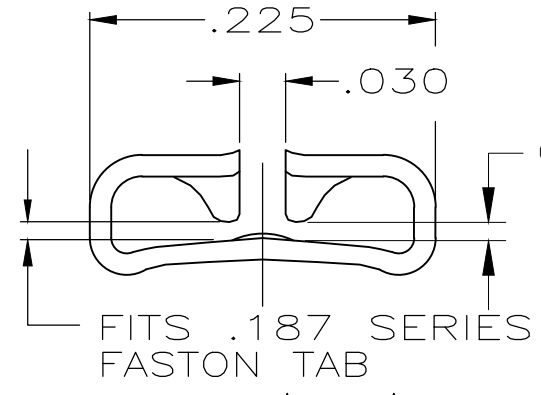
THIS DRAWING IS UNPUBLISHED. RELEASED FOR PUBLICATION
 © COPYRIGHT - By - ALL RIGHTS RESERVED.

LOC	DIST	REVISIONS					
AF	50	P	LTR	DESCRIPTION	DATE	DWN	APVD
		D1		REVISED PER ECR-20-009164	5AUG2020	MK	DH

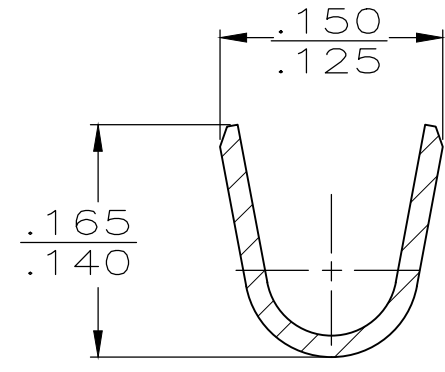


1 CONTINUOUS STRIP ON REELS.

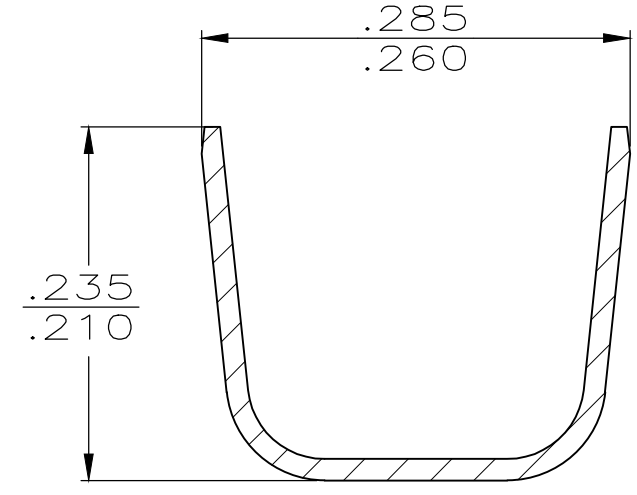
△ 2 FINISH:
 63596-1 PLAIN
 63596-2 PRE-TIN



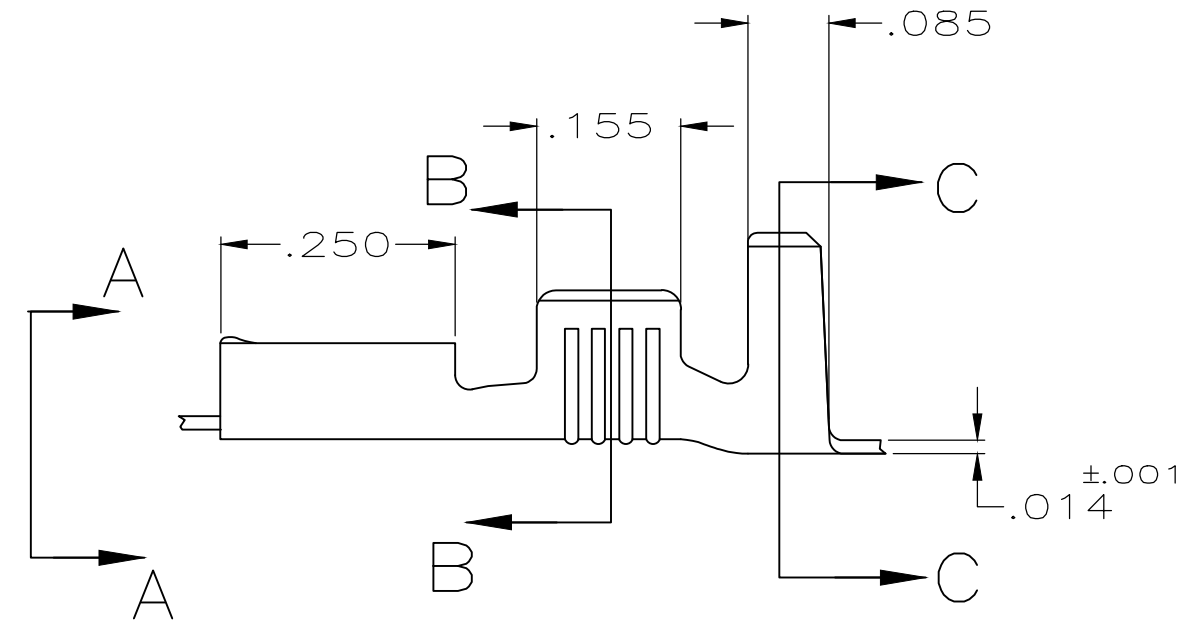
VIEW A-A
 SCALE 8:1



SECTION B-B
 SCALE 8:1



SECTION C-C
 SCALE 8:1



.180 - .230 OR (2) .110 MAX		18-14 OR (2) #16'S		.033-.030		63596-2 63596-1	
INSUL RANGE		WIRE SIZE		MATING TAB THK		PART NO	
THIS DRAWING IS A CONTROLLED DOCUMENT.		DWN JR RUTH 10/4/90		TE Connectivity RECEPTACLE, FASTON,™ .187 SERIES			
DIMENSIONS: INCHES		TOLERANCES UNLESS OTHERWISE SPECIFIED:					
		0 PLC ± - 1 PLC ± - 2 PLC ± - 3 PLC ± .010 4 PLC ± - ANGLES ± -		C MEYERS 10/4/90		PRODUCT SPEC	
MATERIAL BRASS		FINISH △ 2		APPLICATION SPEC		RESTRICTED TO	
				WEIGHT -		SIZE A3	
				CUSTOMER DRAWING		CAGE CODE 00779	
				DRAWING NO C-63596		SCALE 5:1	
						SHEET 1 OF 1	
						REV D1	