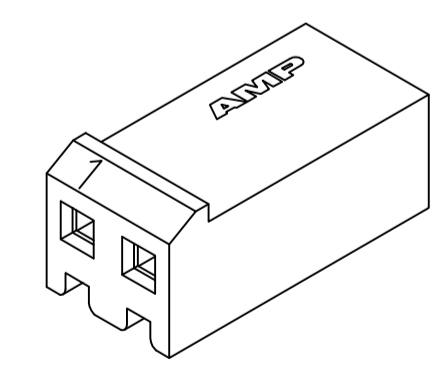
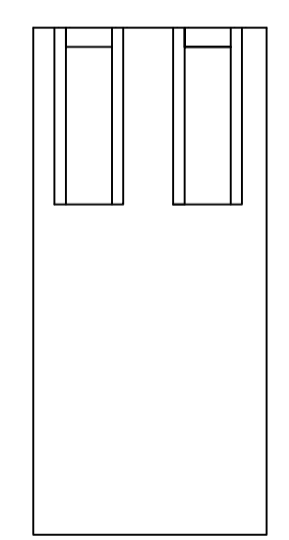
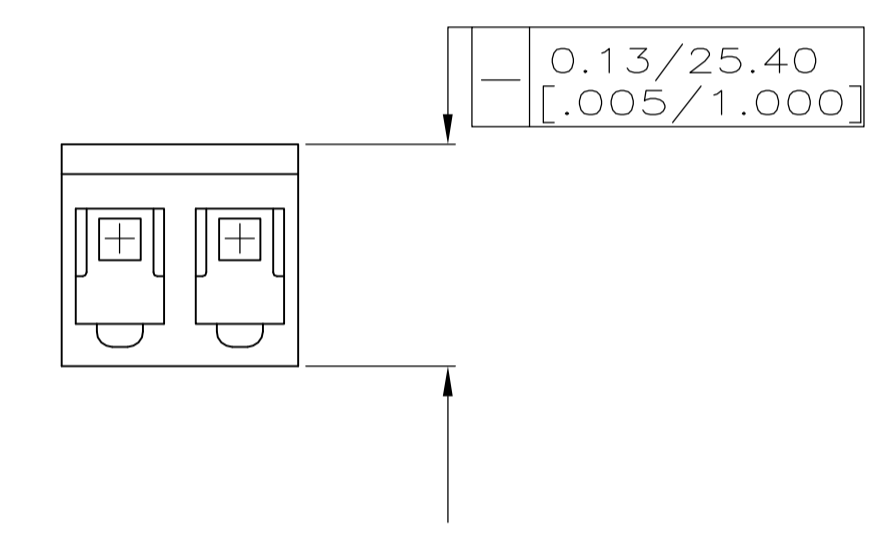
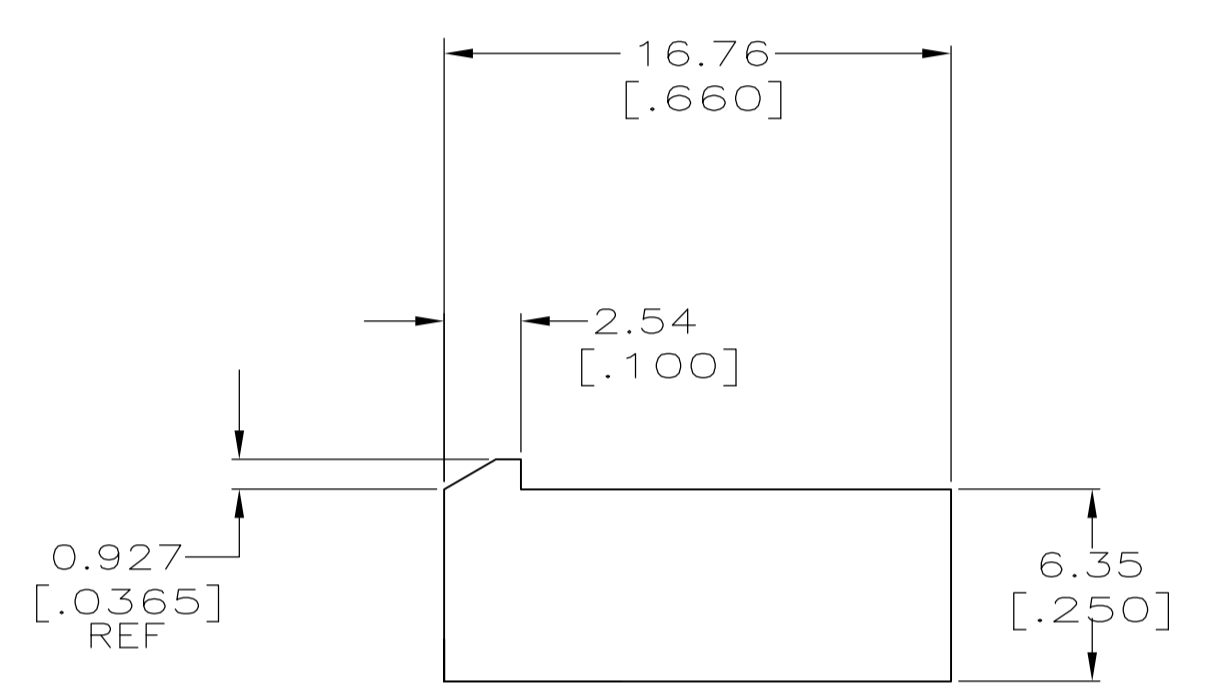
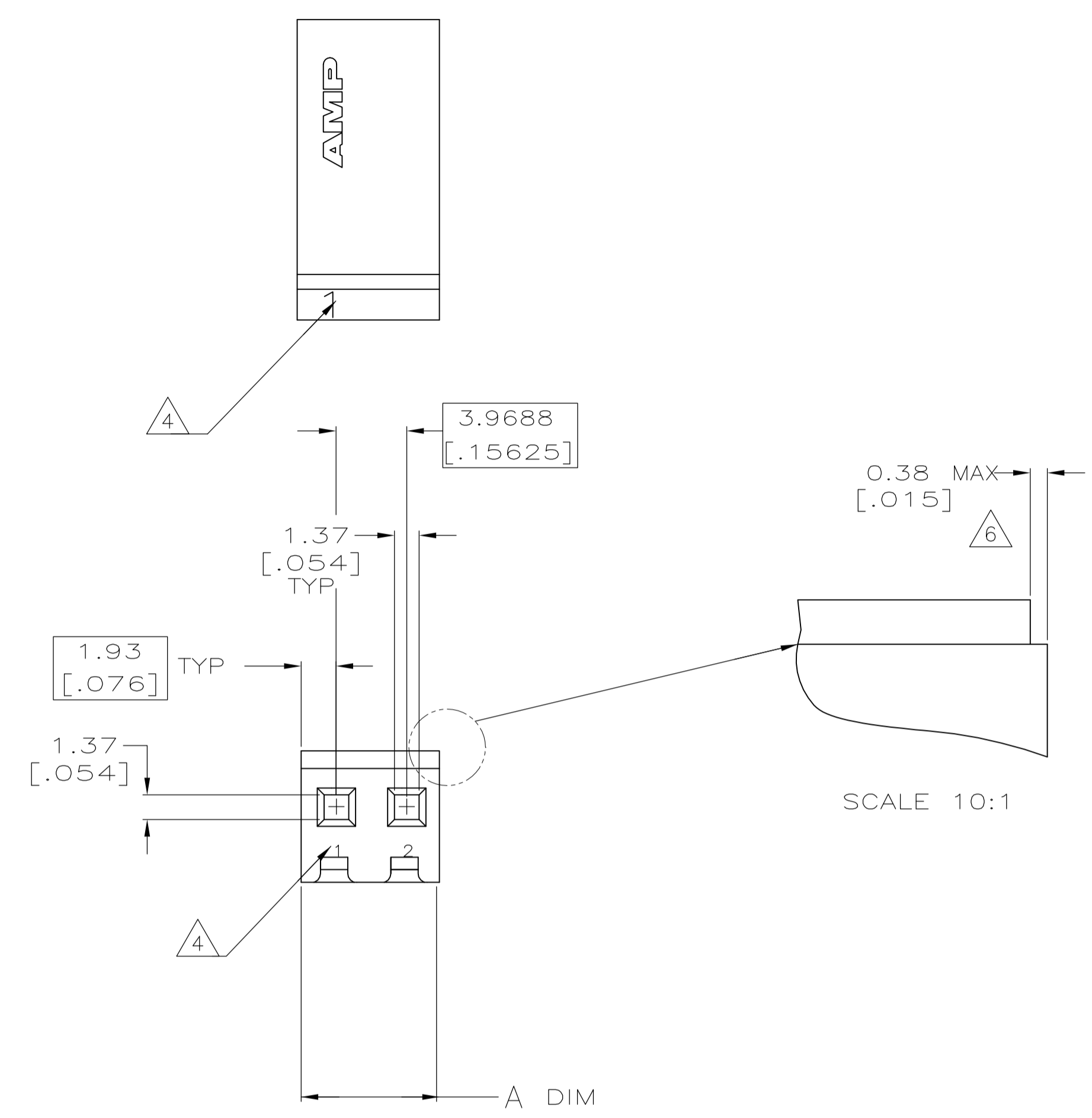


LOC		DIST		REVISIONS			
P	LTR	DESCRIPTION	DATE	DMN	APVD		
E		REVISED PER ECR-13-018617	18DEC2013	KH	TM		

- 1 UNIT ACCEPTS 1.14 [.045] SQUARE OR ROUND POST.
- 2 UNIT ACCEPTS STANDARD SL-156 CONTACTS.
- 3 UNIT ACCEPTS KEYING PLUG 640254-1 AND KEYING PIN 640255-1.
- 4 CIRCUIT I.D. NUMBER(S), TO BE LOCATED SEQUENTIALLY AS SHOWN OR ONLY NO.1 CIRCUIT PLACED ON LOCKING RAMP.
- 5 DIMENSIONS IN BRACKETS ARE IN INCHES.
- 6 OPTIONAL CONSTRUCTION (BOTH CORNERS).



3-DIMENSIONAL MODEL NTS

7.82	[.308]	2	644267-2
$A \pm 0.25$ [.010]		NO. OF CIRCUITS	PART NUMBER

THIS DRAWING IS A CONTROLLED DOCUMENT.		DIN 7-29-92		E. BEILES		NAME	
DIMENSIONS: mm [INCHES]		TOLERANCES UNLESS OTHERWISE SPECIFIED:		R. SWING 7-29-92		HOUSING WITH LOCKING RAMP, YELLOW, SL-156	
0. PLC ± -		1. PLC ± -		E. BEILES 9-28-92		APPLICATION SPEC	
1. PLC ± -		2. PLC ± -		PRODUCT SPEC		SIZE	
2. PLC ± -		3. PLC ± 0.13 [.005]		APPLICATION SPEC		CAGE CODE	
3. PLC ± -		4. PLC ± -		RESTRICTED TO		DRAWING NO	
4. PLC ± -		ANGLES ± 0.30'		MATERIAL		WEIGHT	
MATERIAL NYLON, UL 94V-0 YELLOW		FINISH -		A1 00779		C=644267	
CUSTOMER DRAWING				SCALE 4:1		SHEET 1 OF 1	