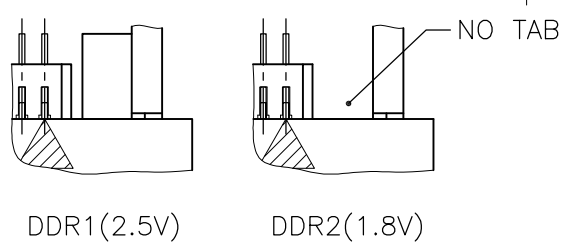
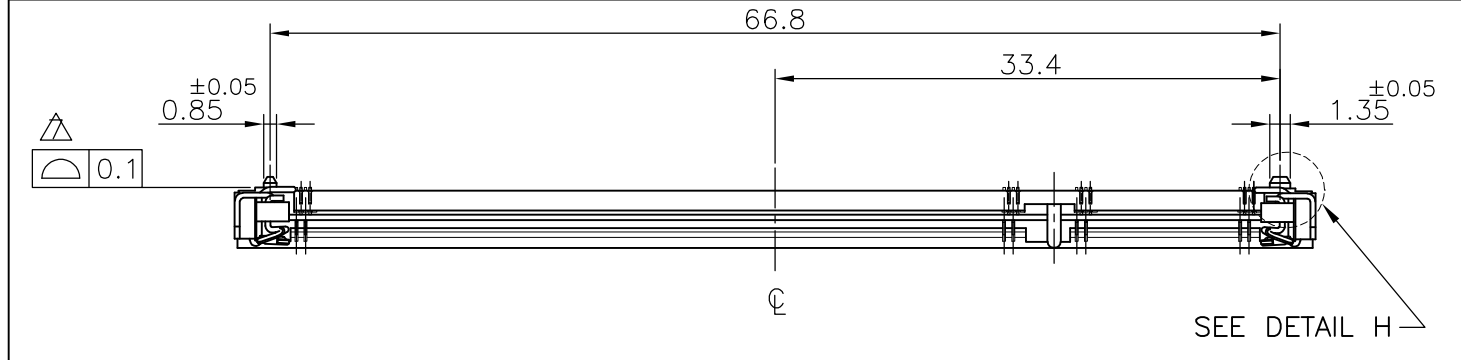


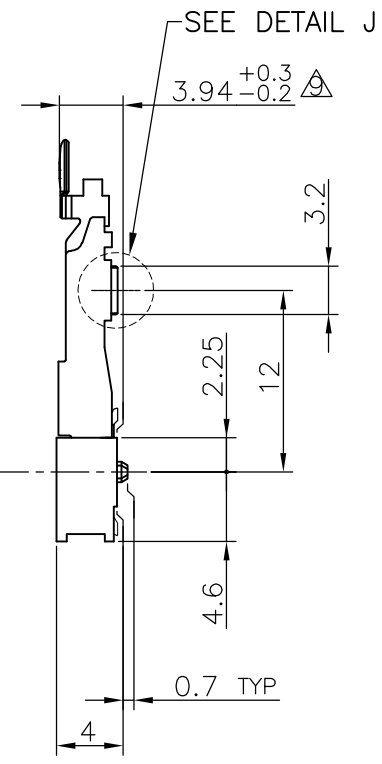
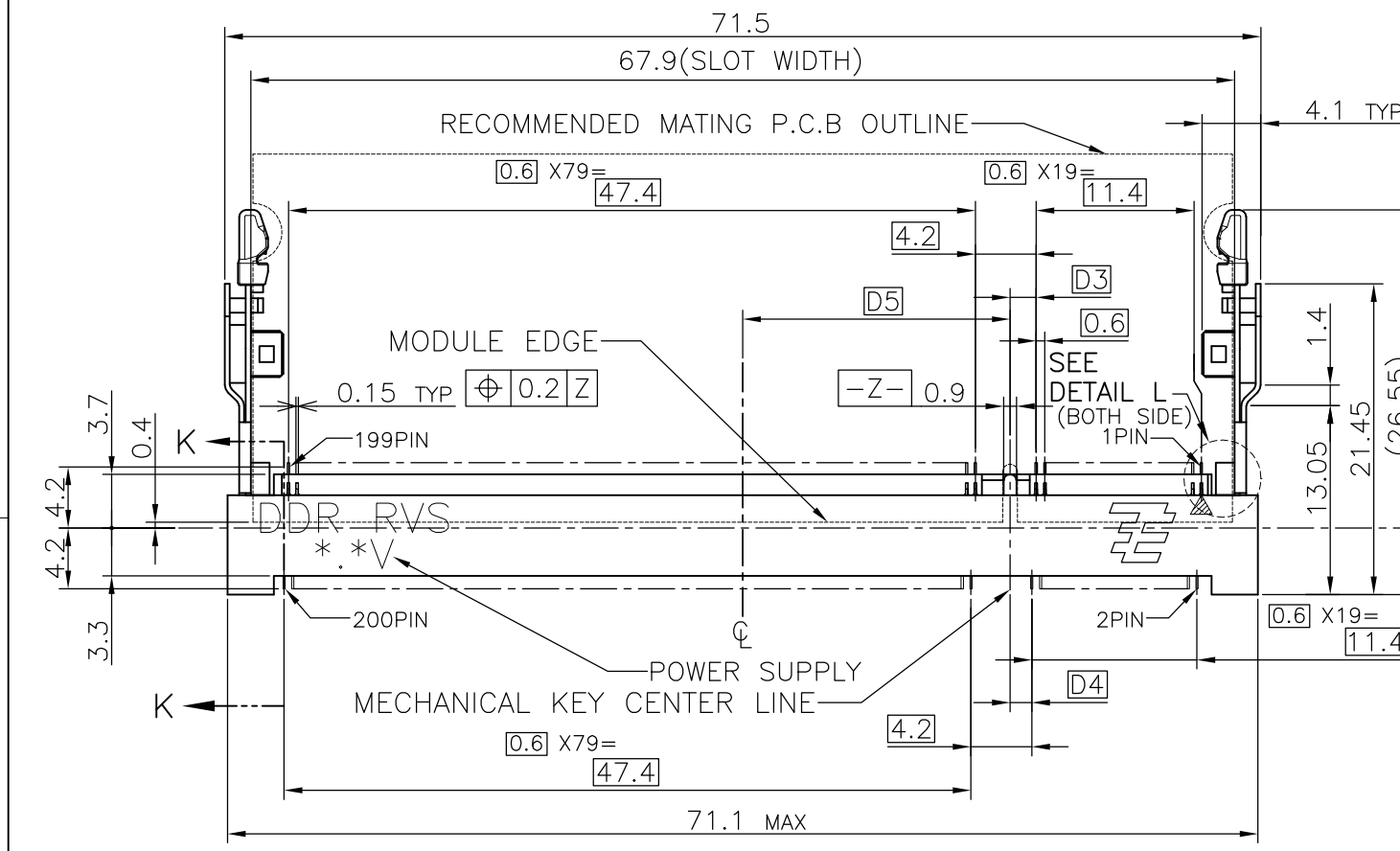
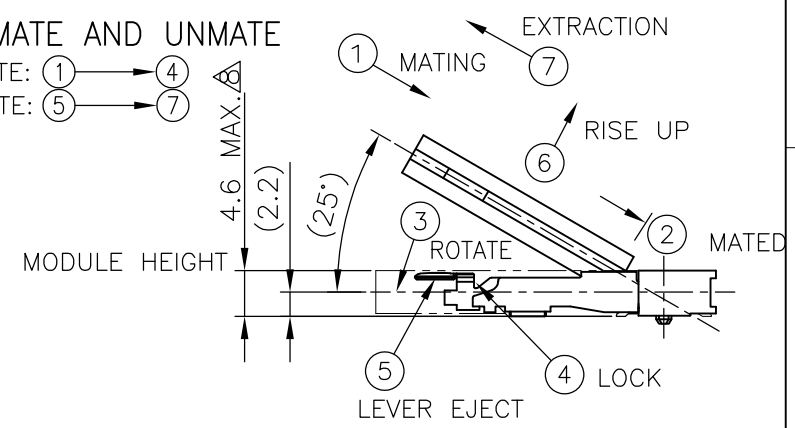
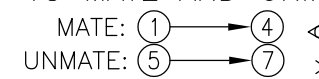
THIS DRAWING IS UNPUBLISHED. RELEASED FOR PUBLICATION SEP ,2003.
 © COPYRIGHT 2003 By - ALL RIGHTS RESERVED.

LOC	DIST	REVISIONS			
P	LTR	DESCRIPTION	DATE	DWN	APVD
J					
	E2	REVISED PER ECO-11-005033	28MAR11	RK	HMR



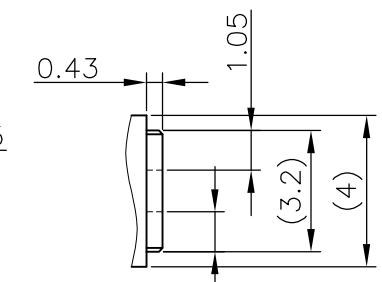
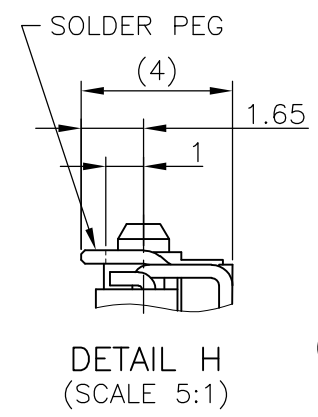
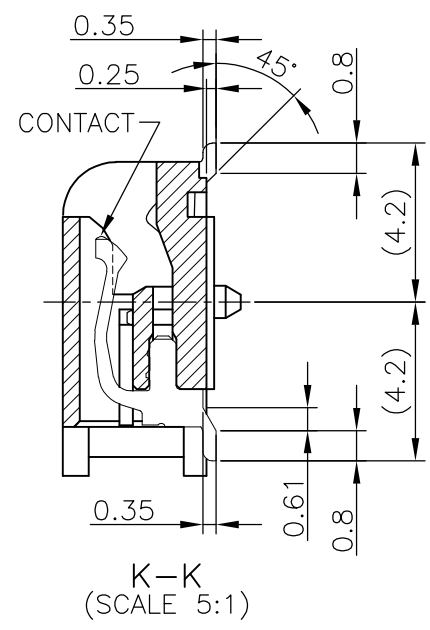
DETAIL L (SCALE 5:1)

HOW TO MATE AND UNMATE



(APPLIED TO SHEET 1-2)

- MATERIAL ; HOUSING: HIGH TEMPERATURE THERMO PLASTIC UL94V-0
CONTACT: COPPER ARROY
LOCK LEVER: STAINLESS STEEL
SOLDER PEG: COPPER ARROY
 - FINISH ; CONTACT AREA: GOLD FLASH ON 0.0013MIN ALL OVER NICKEL.
SOLDERING AREA: GOLD FLASH PLT.
SOLDER PEG: TIN PLATING.
- △ MECHANICAL KEY POSITION OF CONNECTOR SEE TABLE.
 △ TOLERANCES NON-CUMULATIVE.
 △ NOT TO SCALE.
 6 INSIDE MUST BE RESIST COAT EXCEPT SOLDER PATTERN.
 △ COPLANARITY : 0.1 MAX.
 △ THE FLOATING VALUE BY SOLDERING IS NOT INCLUDED.
 △ NOT MATING CONDITION.
 10 IF THE MODULE DOESN'T INSERT AND LOCK IN THE LATCH SMOOTHLY, OPEN WIDE BOTH LATCHES BY MANUAL. AND THE MODULE MUST BE INSERTED AND LOCKED IN THE LATCH.



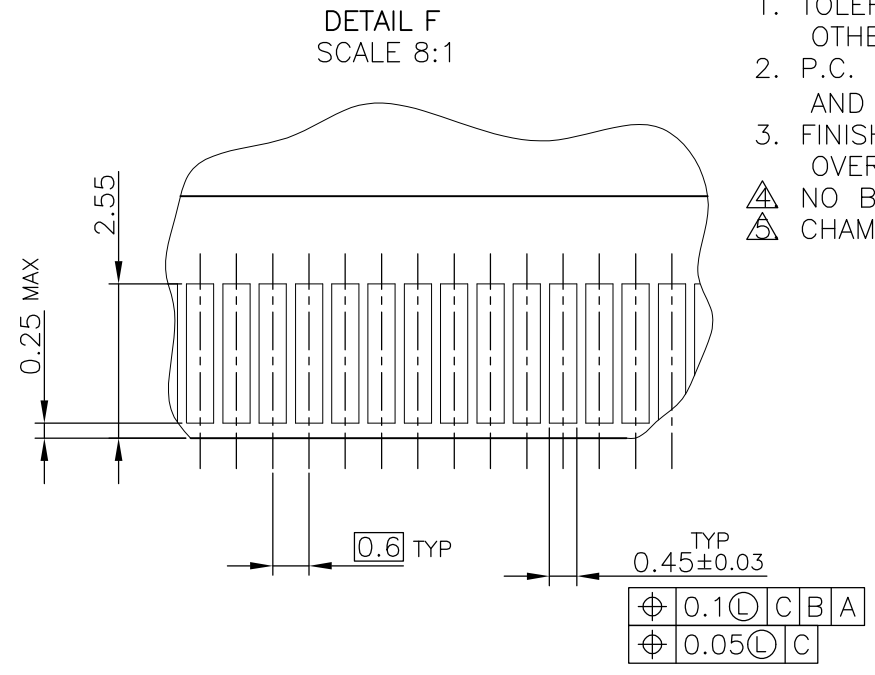
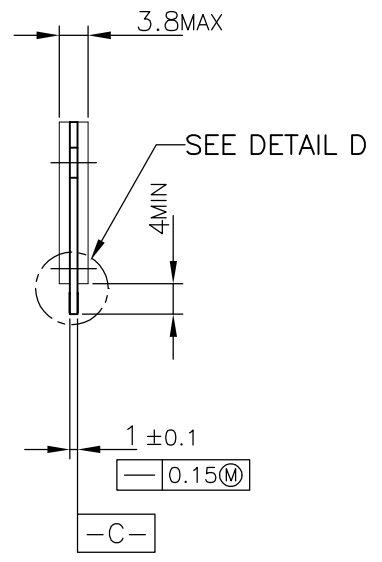
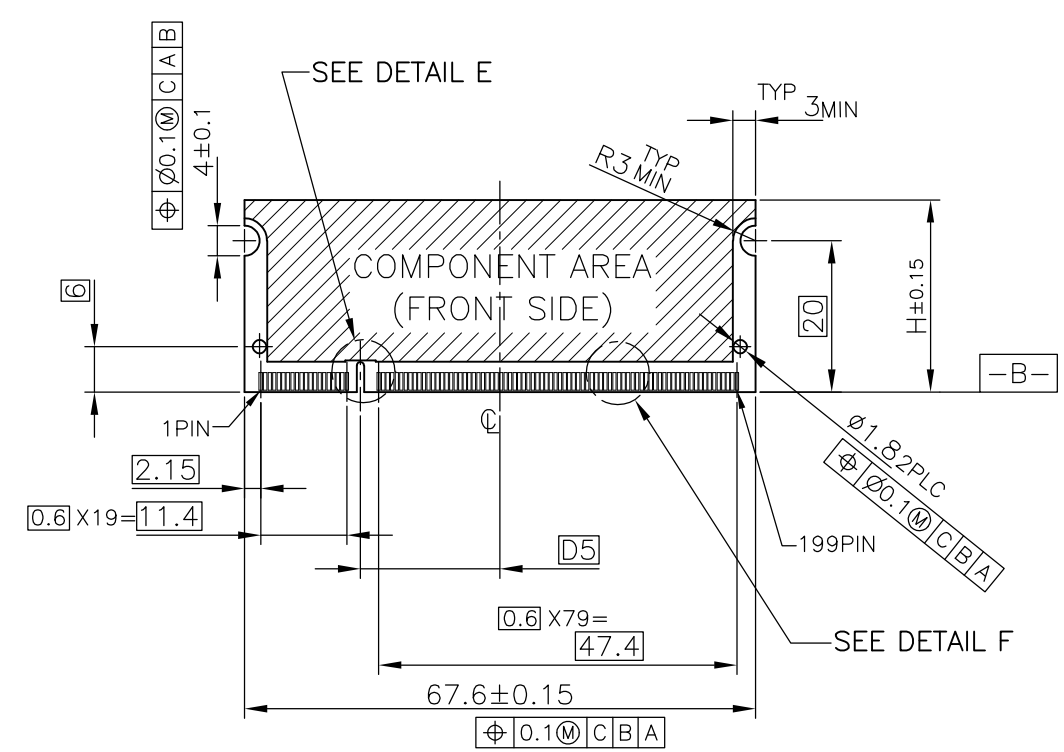
DETAIL J (SCALE 5:1)

GENERAL TOLERANCE
 10 ≥ : ±0.2
 30 ≥ > 10: ±0.25
 100 ≥ > 30: ±0.3
 ANGLES: ±3'

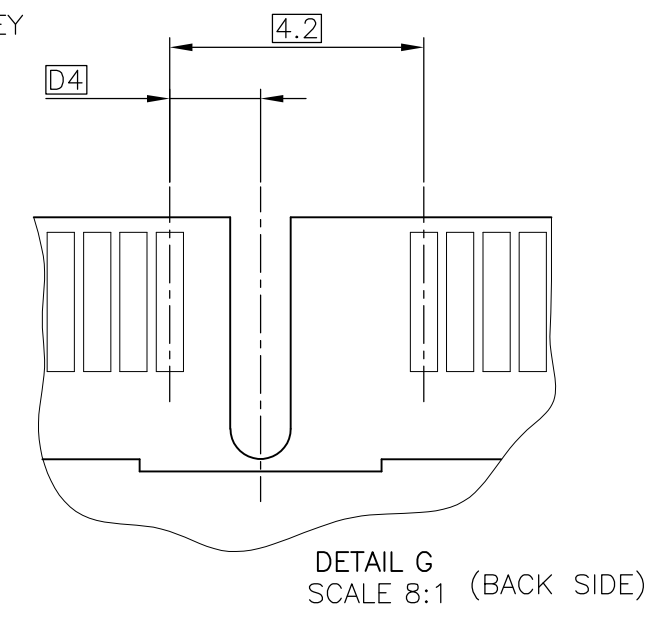
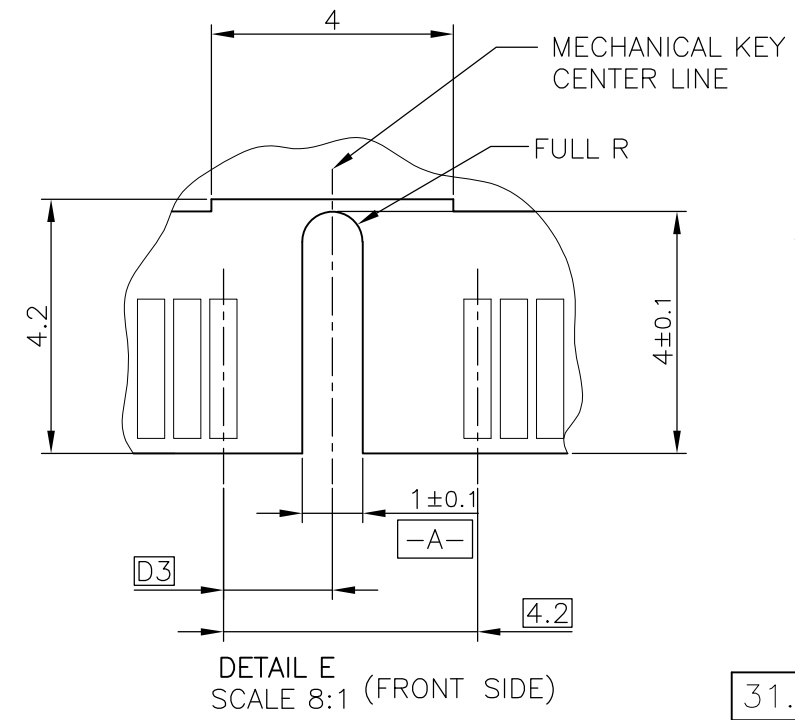
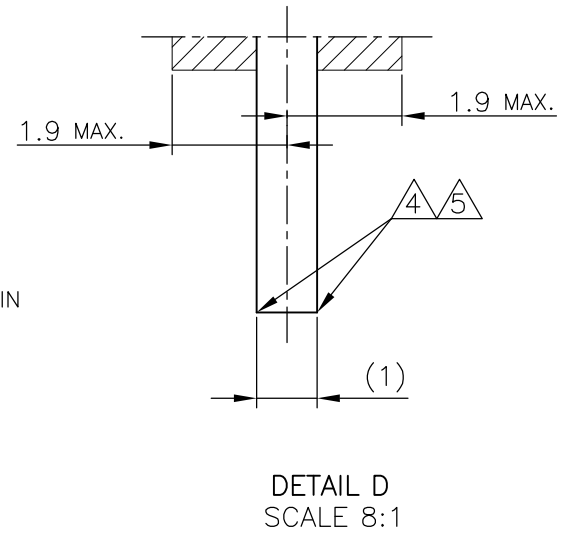
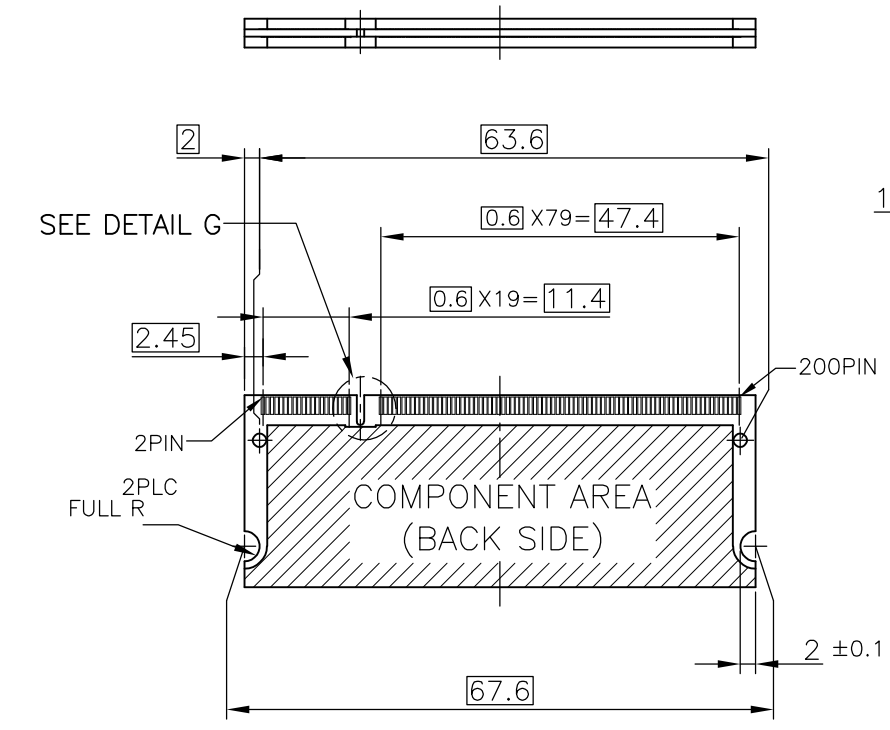
AVAILABLE	—H—	1.8V (DDR2)	17.55	2.4	2.7	200	1-1717833-4
AVAILABLE	—H—	1.8V (DDR2)	17.55	2.4	2.7	200	1717833-4
AVAILABLE	—H—	2.5V (DDR1)	18.45	1.5	1.8	200	1717833-1
TOOLING STATUS	REMARK	POWE SUPPLY (TYPE)	D5	D4	D3	POS	PART NO.
THIS DRAWING IS A CONTROLLED DOCUMENT.		DWN	20JUL10				
		CHK	20JUL10				
		APVD	20JUL10				
DIMENSIONS: MM							
TOLERANCES UNLESS OTHERWISE SPECIFIED:		0 PLC ± 1 PLC ± 2 PLC ± 3 PLC ± 4 PLC ± ANGLES ± FINISH ±					
MATERIAL		DWN B.WONG CHK C.WANG APVD S.YAO PRODUCT SPEC 108-5701 APPLICATION SPEC WEIGHT 3.2g					
		TE Connectivity NAME DDR1 & DDR2 SODIMM SOCKET 0.6mm PITCH 200POS LOW PROFILE REVERSE TYPE (LATCH DIRECT SOLDERING TYPE)					
		SIZE	CAGE CODE	DRAWING NO		RESTRICTED TO	
		A3	00779	C-1717833			
CUSTOMER DRAWING		SCALE	SHEET		REV		
		2:1	1 OF 4		E2		

THIS DRAWING IS UNPUBLISHED. RELEASED FOR PUBLICATION SEP ,2003.
 © COPYRIGHT 2003 By - ALL RIGHTS RESERVED.

LOC	DIST	REVISIONS			
P	LTR	DESCRIPTION	DATE	DWN	APVD
J		SEE SHEET 1	-	-	-



- (APPLIED TO SHEET 3)
1. TOLERANCES ON ALL DIMENSIONS ±0.15 UNLESS OTHERWISE SPECIFIED.
 2. P.C. BOARD THICKNESS APPLIES ACROSS TABS AND INCLUDES PLATING AND/OR METALIZATION.
 3. FINISH OF PAD : GOLD PLATING 0.00076 MIN. OVER Ni PLATING 0.002MIN.
- ⚠ NO BURR
- ⚠ CHAMFER 0.25 MAX x 45° IF EXIST.



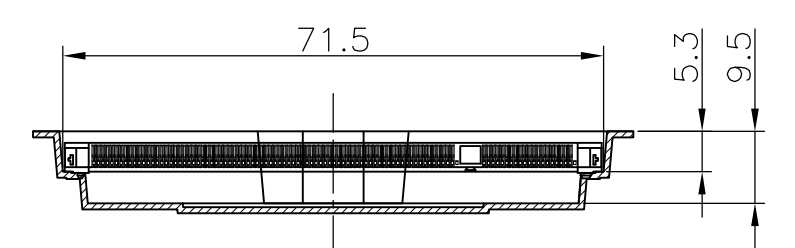
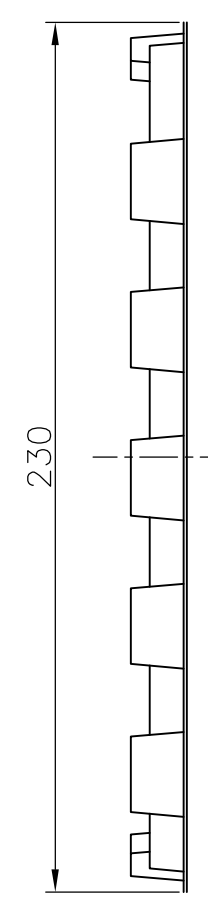
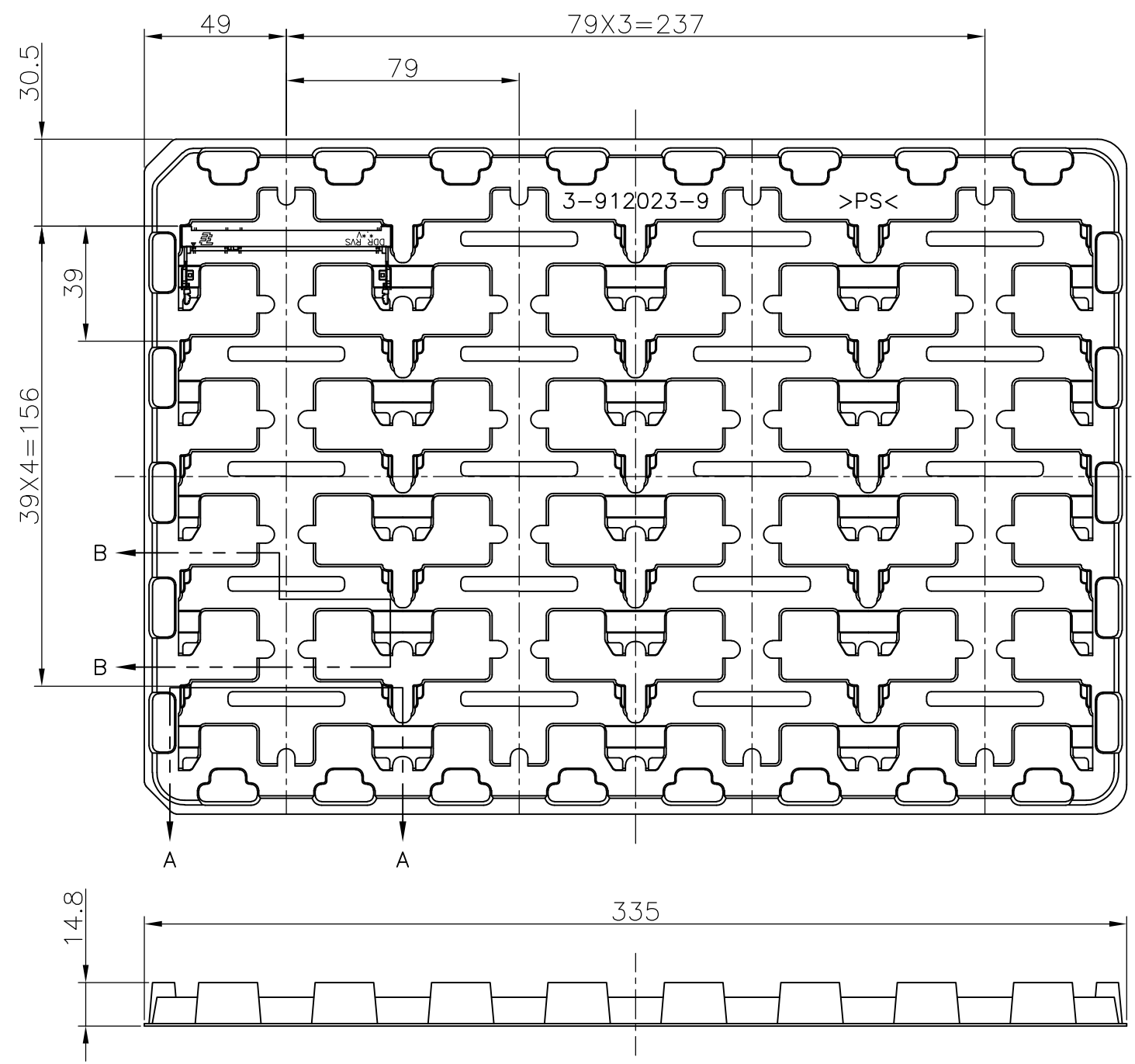
31.75	1.8V	17.55	2.4	2.7
25.4	2.5V	18.45	1.5	1.8
H	POWER SUPPLY	D5	D4	D3

推奨基板仕様
 RECOMMENDED MATING P.C.B CONFIGURATION

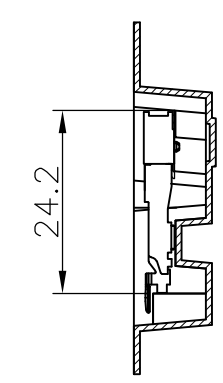
THIS DRAWING IS A CONTROLLED DOCUMENT.		DWN	TE Connectivity NAME DDR1 & DDR2 SODIMM SOCKET 0.6mm PITCH 200POS LOW PROFILE REVERSE TYPE (LATCH DIRECT SOLDERING TYPE)			
DIMENSIONS: MM		CHK				
TOLERANCES UNLESS OTHERWISE SPECIFIED:		APVD				
0 PLC ± 1 PLC ± 2 PLC ± 3 PLC ± 4 PLC ± ANGLES ± FINISH ±		PRODUCT SPEC				
MATERIAL		APPL. SPEC	SIZE	CAGE CODE	DRAWING NO	RESTRICTED TO
		WEIGHT	A300779		C-1717833	
CUSTOMER DRAWING			SCALE	SHEET	REV	
			2:1	3 OF 4	E2	

THIS DRAWING IS UNPUBLISHED. RELEASED FOR PUBLICATION SEP ,2003.
 © COPYRIGHT 2003 By - ALL RIGHTS RESERVED.

LOC	DIST	REVISIONS			
P	LTR	DESCRIPTION	DATE	DWN	APVD
J		SEE SHEET 1	-	-	-




A-A
SCALE 1:1
(180DEG. ROTATE)



B-B
SCALE 1:1

1. THE DIRECTION OF EACH CONNECTOR ON A TRAY IS REFERRED TO THIS DRAWING.
2. GENERAL TOLERANCE : ±0.5

20EA/TRAY	1-1717833-4
20EA/TRAY	1717833-4
20EA/TRAY	1717833-1
QTY	P/N

THIS DRAWING IS A CONTROLLED DOCUMENT.		DWN	 TE Connectivity					
DIMENSIONS: MM		CHK				NAME		
TOLERANCES UNLESS OTHERWISE SPECIFIED: 0 PLC ± 1 PLC ± 2 PLC ± 3 PLC ± 4 PLC ± ANGLES ± FINISH		APVD				DDR1 & DDR2 SODIMM SOCKET 0.6mm PITCH 200POS LOW PROFILE REVERSE TYPE (LATCH DIRECT SOLDERING TYPE)		
MATERIAL		PRODUCT SPEC				SIZE	CAGE CODE	DRAWING NO
		APPLICATION SPEC	A300779 C-1717833					
		WEIGHT	CUSTOMER DRAWING			SCALE 1:2		
			SHEET 4 OF 4			REV E2		