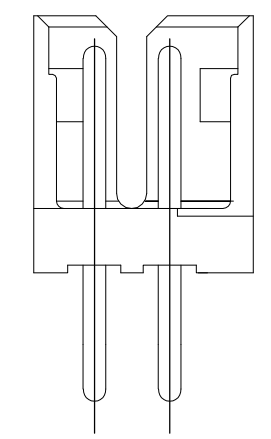
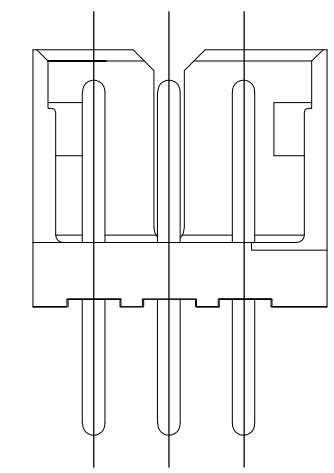
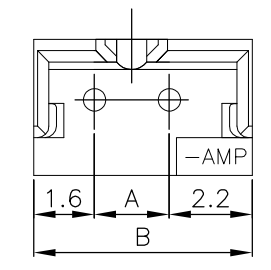
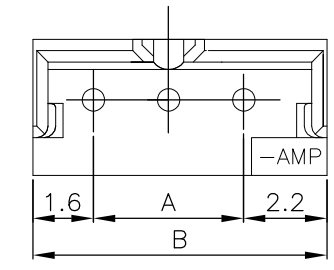
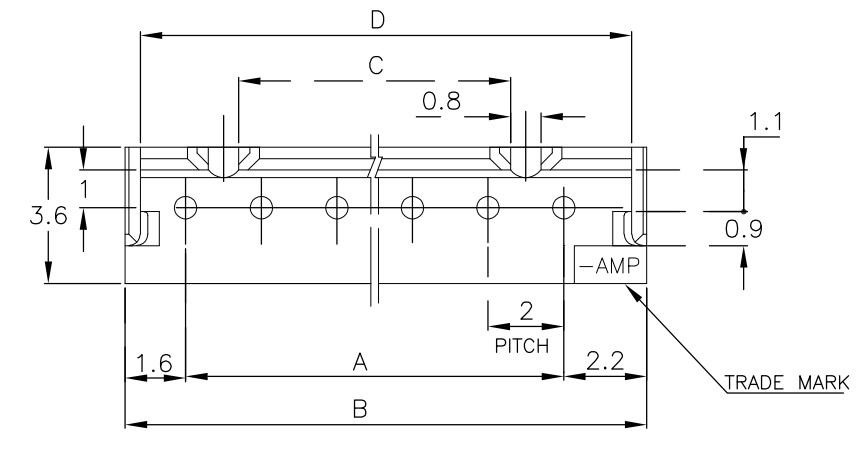


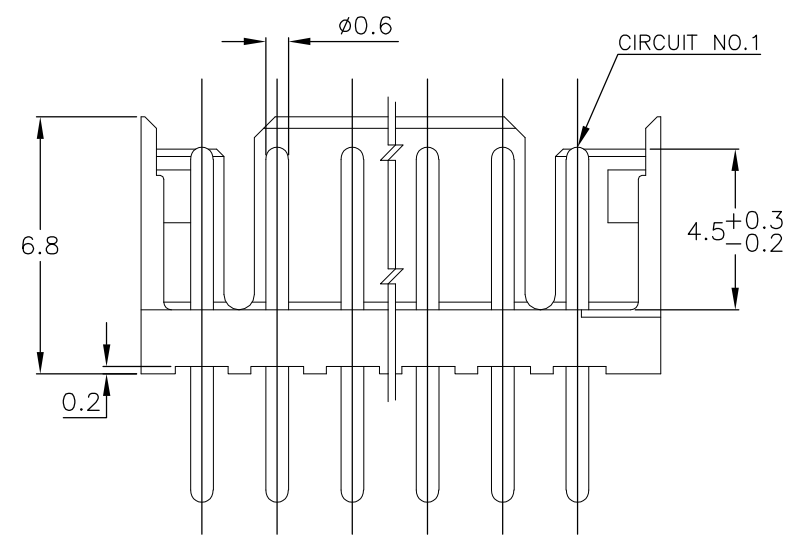
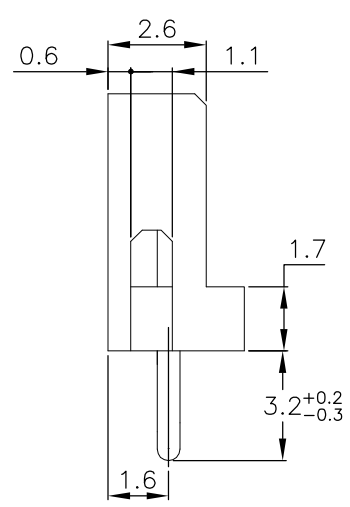
THIS DRAWING IS UNPUBLISHED. RELEASED FOR PUBLICATION
 © COPYRIGHT - By - ALL RIGHTS RESERVED.

REVISIONS				
P	LTR	DESCRIPTION	DATE	APVD
A	RELEASED	ECR-16-004636	15DEC16	T.Q W.H



3 POS.

2 POS.

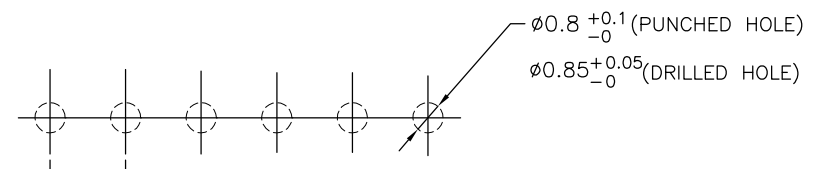


4~15 Pos.

NOTES:

- 1.MATERIAL: HOUSING - NYLON 66 (UL94V-0)
POST - TIN BRASS
- 2.THIS PRODUCT IS "NO-KINK" VERSION OF P/N 292161
- 3.MATING RECEPTACLE P/N 173977
- 4.OBSOLETE RED COLOR PARTS.

								1-292145-5	15	28	31.8	25.2	31.0					
								1-4	14	26	29.8	23.2	29.0					
								1-3	13	24	27.8	21.2	27.0					
								9-292145-2	7-292145-2	5-292145-2	3-292145-2	1-	-2	12	22	25.8	19.2	25.0
								9-1	7-1	5-1	3-1	1-	-1	11	20	23.8	17.2	23.0
								9-0	7-0	5-0	3-0	1-	-0	10	18	21.8	15.2	21.0
								8-9	6-9	4-9	2-9	-9	9	16	19.8	13.2	19.0	
								8-8	6-8	4-8	2-8	-8	8	14	17.8	11.2	17.0	
								8-7	6-7	4-7	2-7	-7	7	12	15.8	9.2	15.0	
								8-6	6-6	4-6	2-6	-6	6	10	13.8	7.2	13.0	
								8-5	6-5	4-5	2-5	-5	5	8	11.8	5.2	11.0	
								8-4	6-4	4-4	2-4	-4	4	6	9.8	3.2	9.0	
								8-3	6-3	4-3	2-3	-3	3	4	7.8	¼	7.0	
								8-292145-2	6-292145-2	4-292145-2	2-292145-2	292145-2	2	2	5.8	¼	5.0	
								RED	BLACK	YELLOW	BLUE	NATURAL						
								PART NO.					Pos.	A	B	C	D	



RECOMMENDABLE PCB LAYOUT
 (PCB THK:0.8-1.6)

TOLERANCES UNLESS OTHERWISE SPECIFIED:

10 > *	:	±0.2
30 > * > 10	:	±0.25
100 > * > 30	:	±0.3
ANGLE	:	±3°

THIS DRAWING IS A CONTROLLED DOCUMENT.

DIMENSIONS:	TOLERANCES UNLESS OTHERWISE SPECIFIED:
mm	0 PLC ± -
	1 PLC ± -
	2 PLC ± -
	3 PLC ± -
	4 PLC ± -
	ANGLES ± -
MATERIAL	FINISH
SEE NOTE	SEE NOTE

STE TE Connectivity

POST HEADER ASS'Y (V) NO-KINK TYPE
 (AMP CT CONNECTOR 2mm PITCH)

DWN	S.XU	31JAN03
CHK	S.YAO	31JAN03
APVD	T. SASAKI	31JAN03
PRODUCT SPEC	108-60016	
APPLICATION SPEC	-	
WEIGHT	0.000000	A300779
CUSTOMER DRAWING	C=292145	RESTRICTED TO
SCALE	5:1	SHEET 1 OF 1
REV	A	