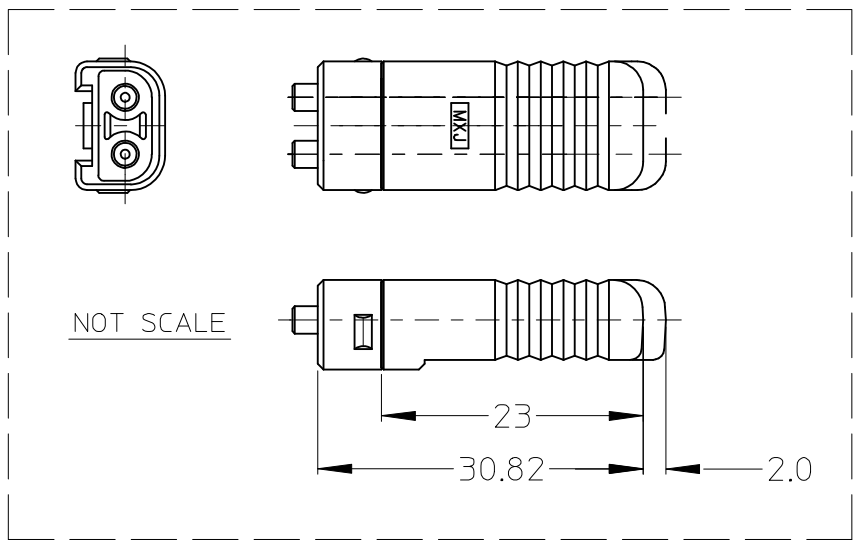
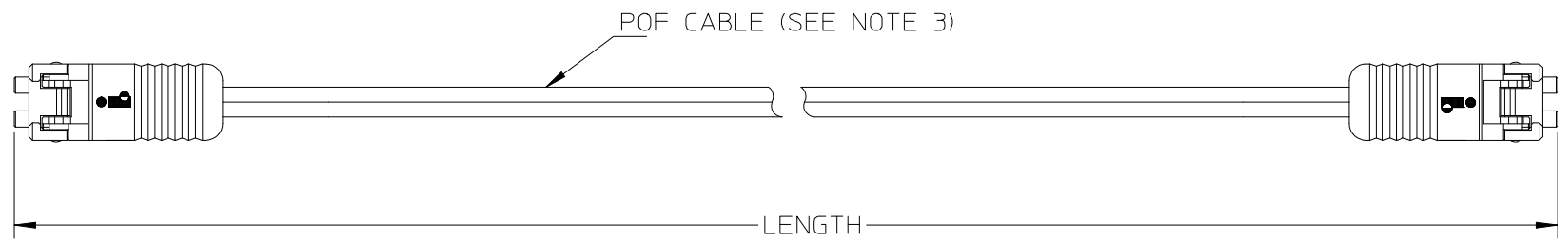


7 6 5 4 3 2 1



885319810	SMI-SMI DUP POF 2.2MM 0.3M	300(+50/-0)	<=3.0
885319809	SMI-SMI DUP POF 2.2MM 15M	15000(+200/-0)	<=6.0
885319808	SMI-SMI DUP POF 2.2MM 0.2M	200(+50/-0)	<=3.0
885319807	SMI-SMI DUP POF 2.2MM 50M	50000(+300/-0)	<=13.0
885319806	SMI-SMI DUP POF 2.2MM 30M	30000(+300/-0)	<=9.0
885319805	SMI-SMI DUP POF 2.2MM 20M	20000(+200/-0)	<=7.0
885319804	SMI-SMI DUP POF 2.2MM 10M	10000(+200/-0)	<=5.0
885319803	SMI-SMI DUP POF 2.2MM 5M	5000(+200/-0)	<=4.0
885319802	SMI-SMI DUP POF 2.2MM 3M	3000(+200/-0)	<=3.6
885319801	SMI-SMI DUP POF 2.2MM 2M	2000(+200/-0)	<=3.4
885319800	SMI-SMI DUP POF 2.2MM 1M	1000(+100/-0)	<=3.2
MX P/N	DESCRIPTION	LENGTH	IL(dB)

- NOTES:
1. DUST CAPS ARE NOT SHOWN
 2. IL MUST BE ACCORD TO RIGHT CHART PER CHANNEL @ 650nm. TEST DATA WILL BE PROVIDED WITH EACH PACKING
 3. BLACK STEP INDEX Mitsubishi MHV4002 POF CABLE, CABLE CORE SIZE IS 1mm
 4. THE ASSEMBLY IS RoHS COMPLIANT

ENTER DESCRIPTION EC NO: MF2014-0258 DRWN:SDXIE CHKD:JANE APPR:JOWANG	2013/10/25 2013/10/25 2013/10/30	DESCRIPTION REV	QUALITY SYMBOLS	GENERAL TOLERANCES (UNLESS SPECIFIED)	DIMENSION STYLE	SCALE	DESIGN UNITS	THIRD ANGLE PROJECTION		
			$F_{\sigma} = 0$ $F_{\sigma} = 0$ $F_{\sigma} = 0$	mm INCH 4 PLACES \pm --- \pm --- 3 PLACES \pm --- \pm --- 2 PLACES \pm --- \pm --- 1 PLACE \pm --- \pm --- 0 PLACE \pm \pm	MM ONLY	---	METRIC	DRAWN BY DATE XP 2006/06/29 CHECKED BY DATE LISA 2006/06/29 APPROVED BY DATE JOHNNY 2006/06/29	TITLE	SMI-SMI DUP POF 2.2MM
			ANGULAR \pm --- ° DRAFT WHERE APPLICABLE MUST REMAIN WITHIN DIMENSIONS	MATERIAL NO. SEE TABLE	DOCUMENT NO. SD-88531-980	SHEET NO. 1 OF 1				
			SIZE A 4	THIS DRAWING CONTAINS INFORMATION THAT IS PROPRIETARY TO MOLEX INCORPORATED AND SHOULD NOT BE USED WITHOUT WRITTEN PERMISSION						



6 5 4 3 2 1