

LCD-PA

Pole Adaptor

Product Features:

For use with LCD-1 and LCD-2537

Adapts round or square poles to accept mounts

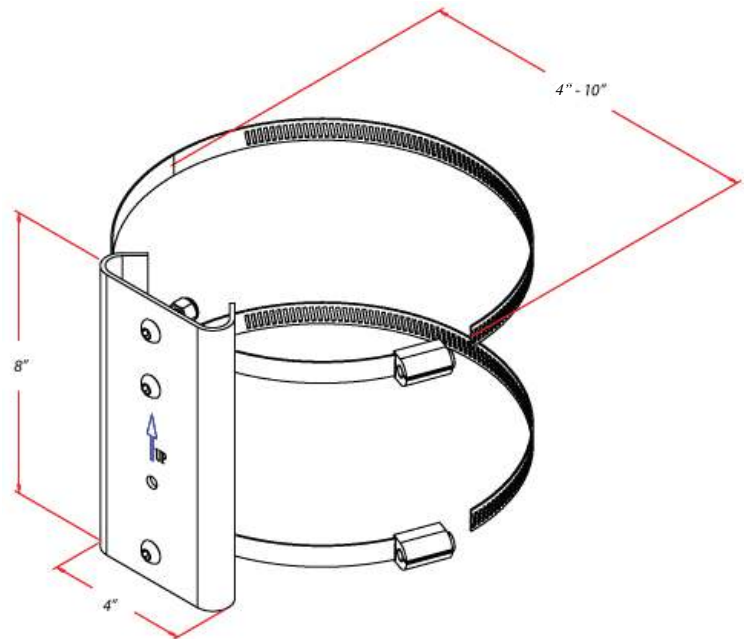
Stainless steel straps adjust from 4" – 10"

Silver powder coat finish

Product Specifications:

(for Architects & Engineers)

The adaptor which will allow a pole mounted flat panel shall be the Video Mount products (VMP) model LCD-PA. The adaptor shall be used with either a LCD-1 or a LCD-2537 to mount a flat panel to a pole. The adaptor shall be constructed primarily of formed steel. The adaptor shall include two stainless steel straps capable to adjusting from 4" – 10" diameters. The adaptor shall be able to work on square or circular poles.



Video Mount Products

345 Log Canoe Circle

Stevensville, MD 21666

Toll Free: 877.281.2169

Telephone: 410.643.6390

Facsimile: 410.643.6615

www.videomount.com

VMP
VIDEO MOUNT PRODUCTS